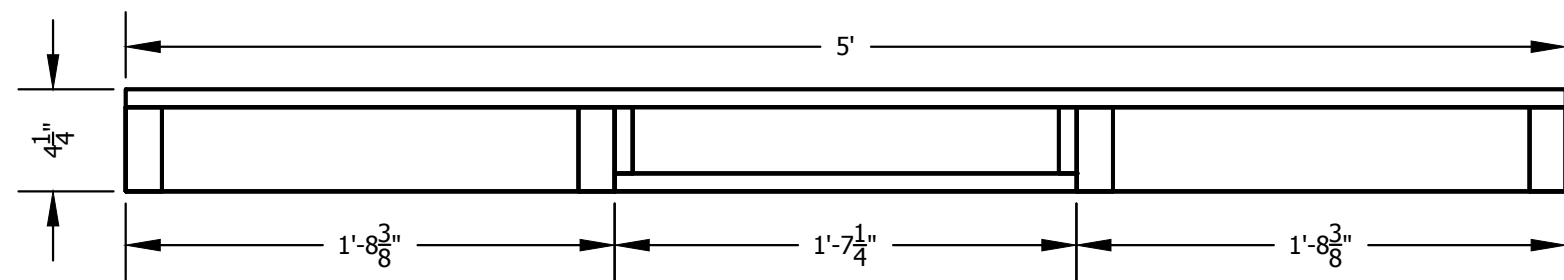
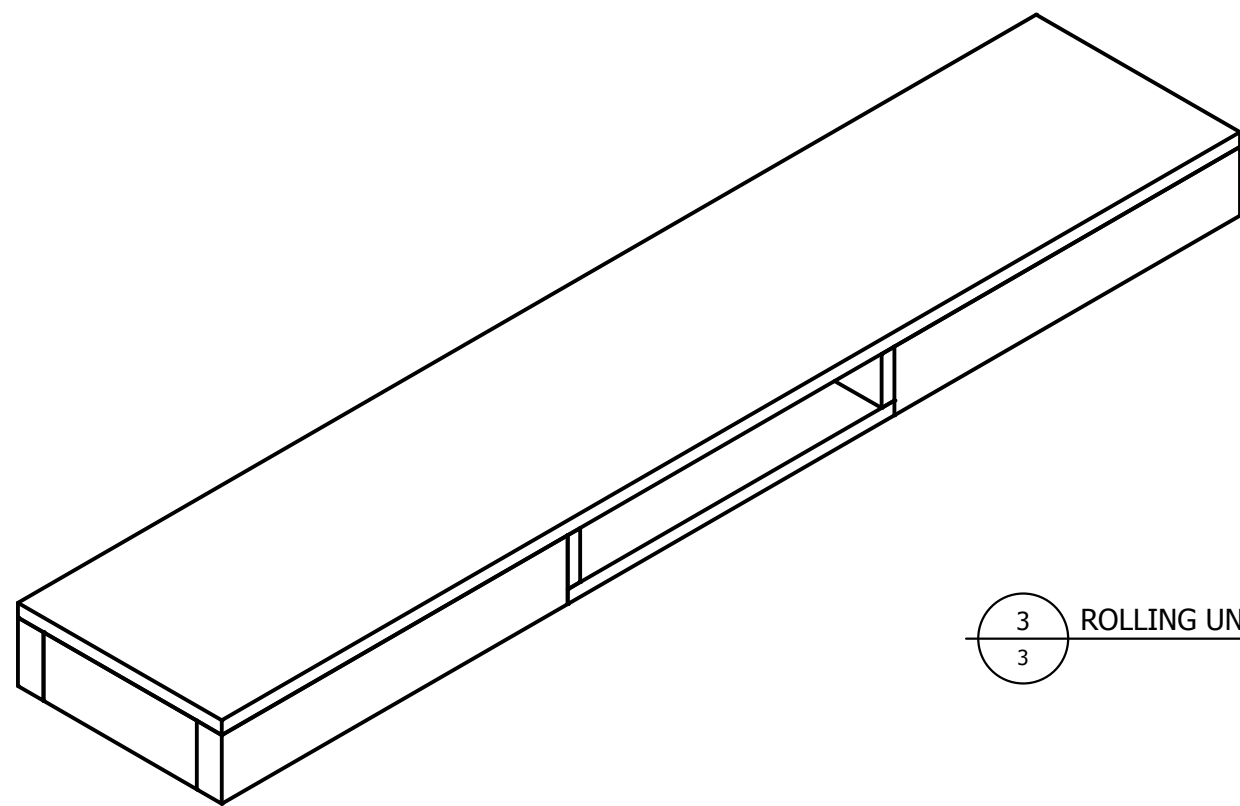


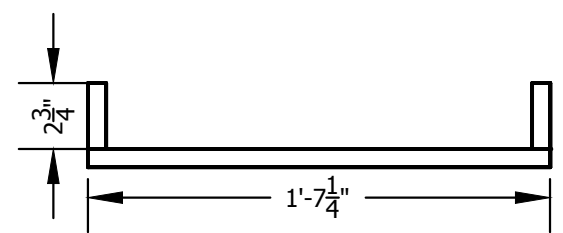
1 ROLLING UNIT PLATFORM - TOP VIEW
3 Two units installed together 1" = 1'-0"



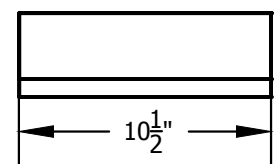
2 ROLLING UNIT PLATFORM - BACK VIEW
3 FRAME WITH 2X4 LID WITH 3/4" PLY BUILD 2 1 1/2" = 1'-0"



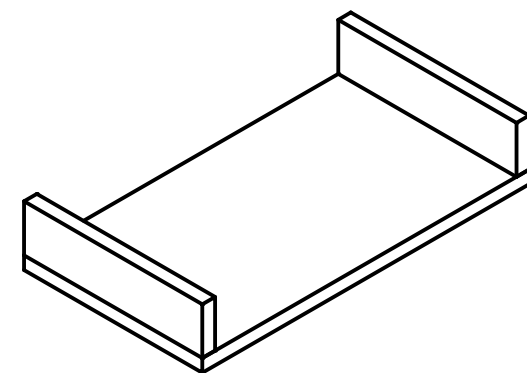
3 ROLLING UNIT PLATFORM - ISOMETRIC VIEW
3 NTS



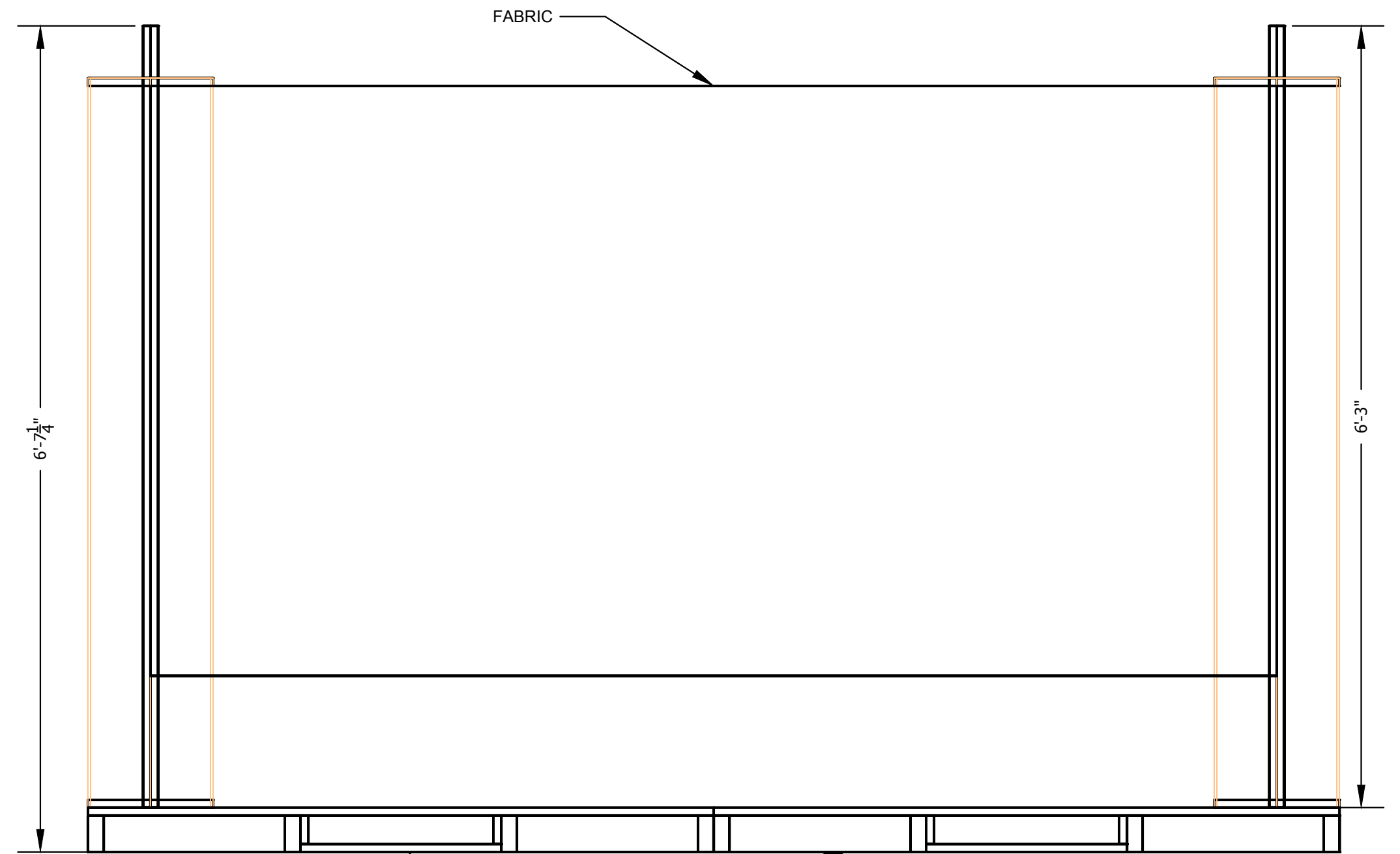
4 COUNTERWEIGHT SHELF - FRONT VIEW
3 3/4" PLY BUILD 2 1 1/2" = 1'-0"



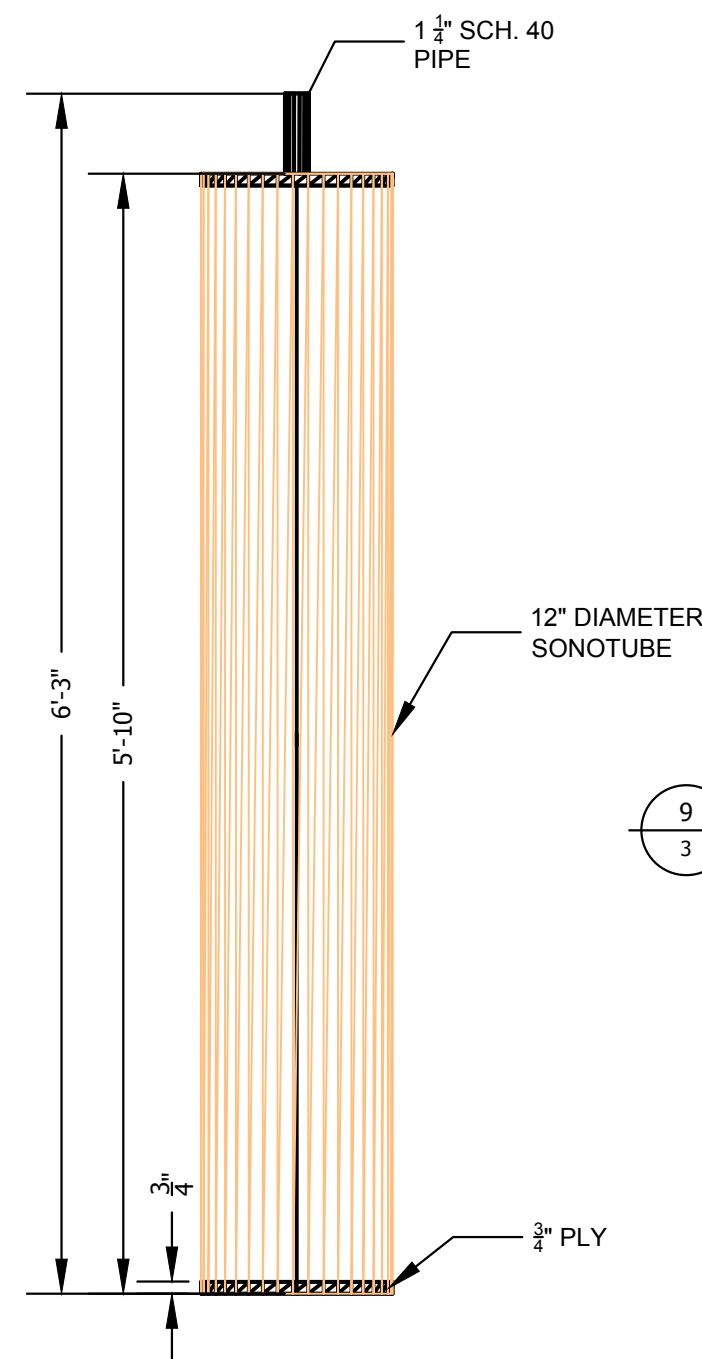
5 COUNTERWEIGHT SHELF - SIDE VIEW
3 1 1/2" = 1'-0"



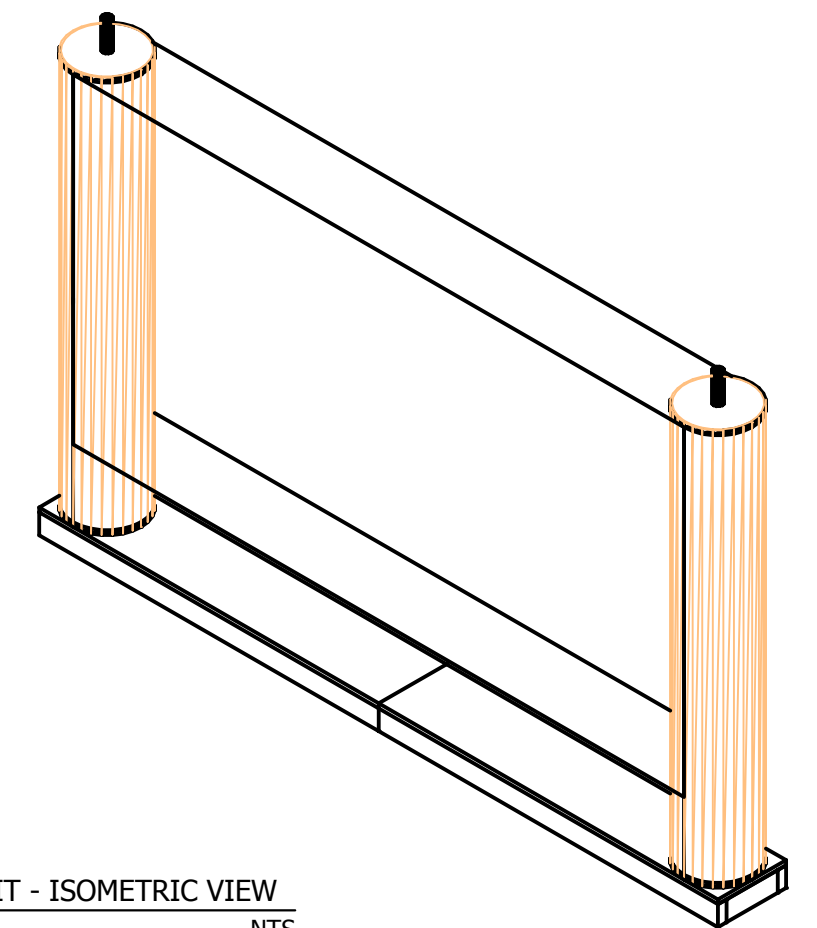
6 COUNTERWEIGHT SHELF - ISOMETRIC VIEW
3 NTS



7 ASSEMBLED ROLLING UNIT - FRONT VIEW
3 NTS



8 ROLLING UNIT - FRONT VIEW
3 BUILD 2 1" = 1'-0"



9 ASSEMBLED ROLLING UNIT - ISOMETRIC VIEW
3 NTS

| | | |
|------------------------------|----------------|-----------|
| NYC COLLEGE OF TECHNOLOGY | | PLATE No. |
| KEVIN!!!! | | K3 |
| TECH PRODUCTION | | OF: 3 |
| SCENIC BACKDROP ROLLING UNIT | | |
| SCALE: | AS NOTED | |
| DATE: | 2.8.2017 | |
| DRAFTER: | CATARINA UCETA | |