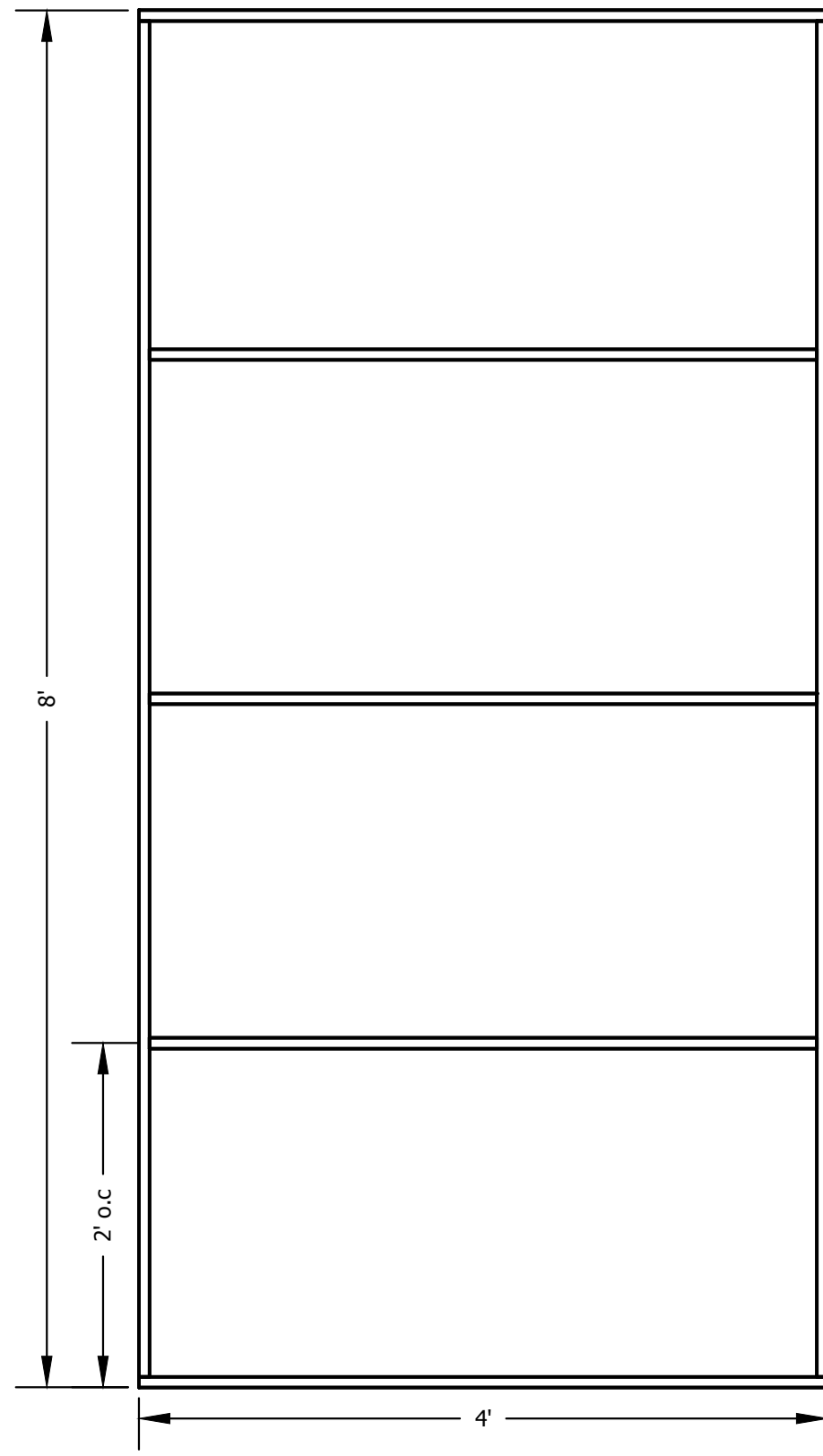
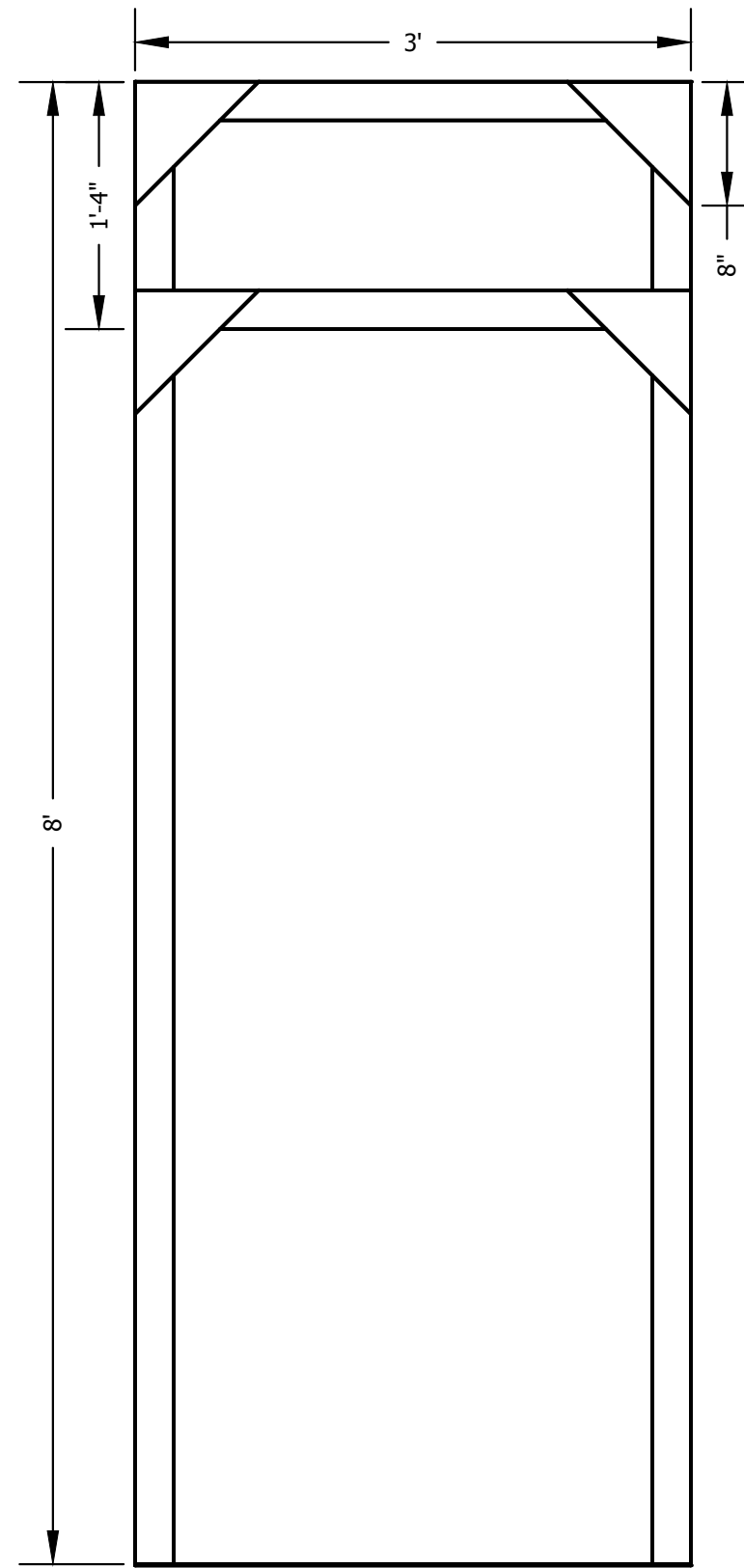


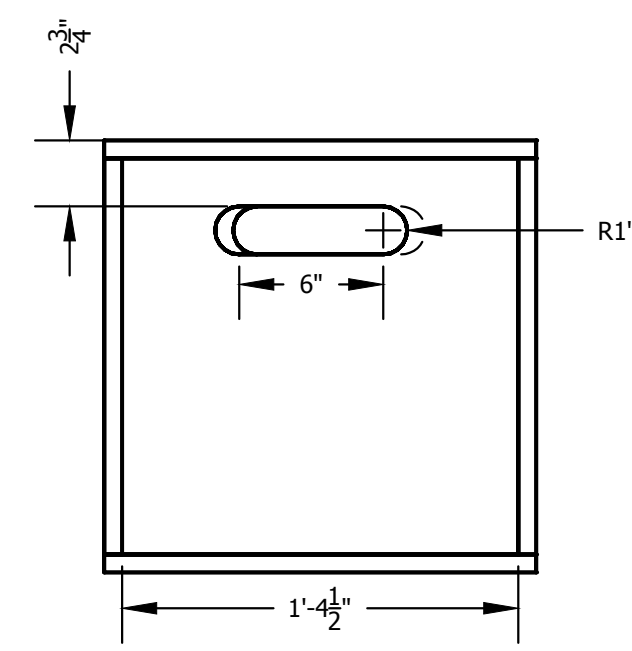
1 FLAT A - TOP VIEW  
 2 Frame with 1x3  
 Lid with 1/4" Lauan  
 Build 2  
 1" = 1'-0"



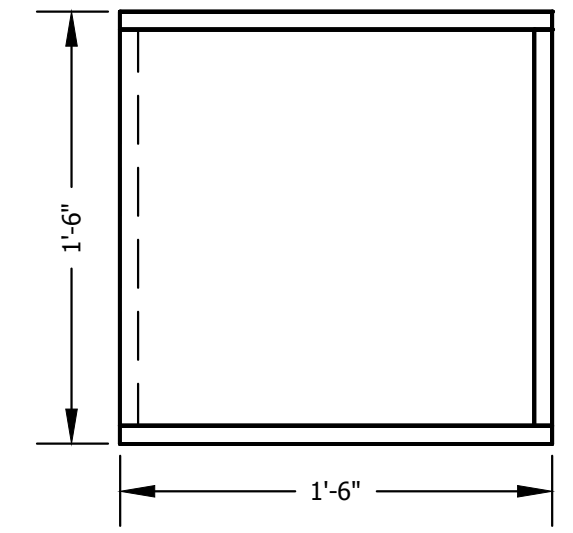
2 FLAT B - TOP VIEW  
 2 Frame with 1x3  
 Lid with 1/4" Lauan  
 Build 5  
 1" = 1'-0"



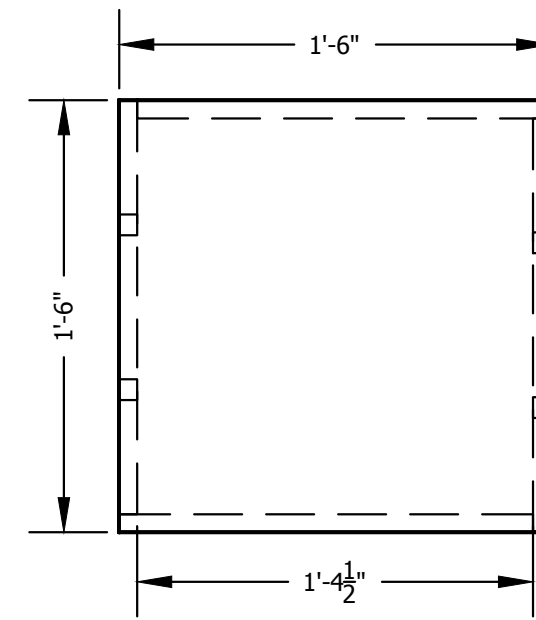
3 DOOR JACK - TOP VIEW  
 2 1x3 on face  
 Corner blocks with 1/4" PLY  
 Build 4  
 1" = 1'-0"



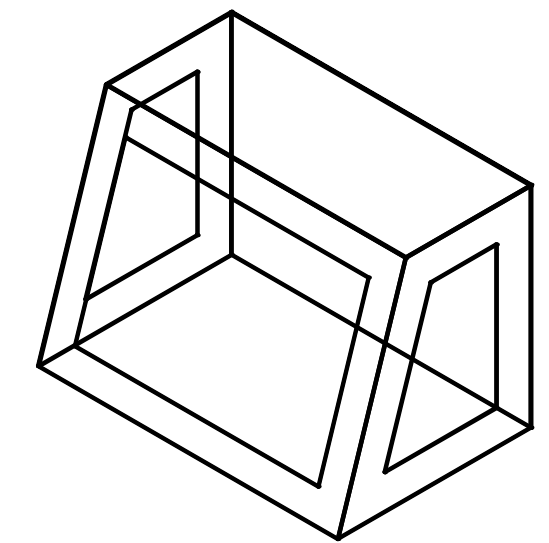
4 REHEARSAL BLOCK - RIGHT VIEW  
 2 3/4" PLY  
 Build 8  
 1 1/2" = 1'-0"



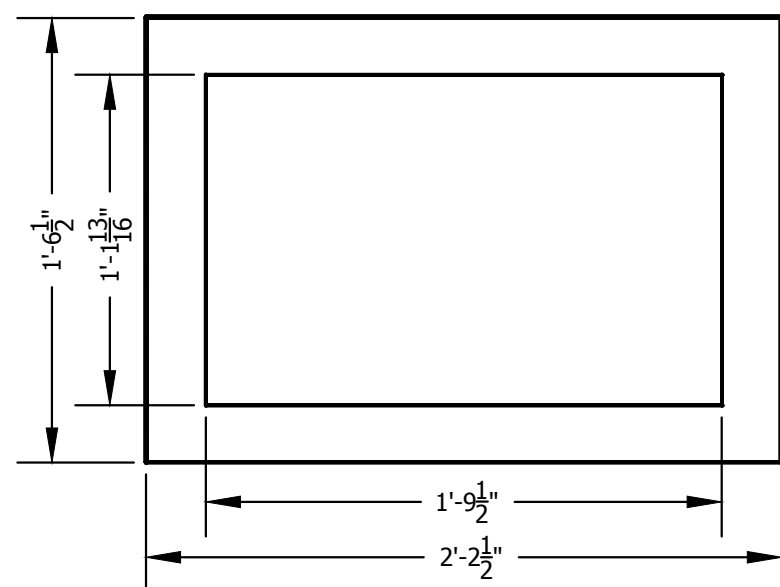
5 REHEARSAL BLOCK - FRONT VIEW  
 2  
 1 1/2" = 1'-0"



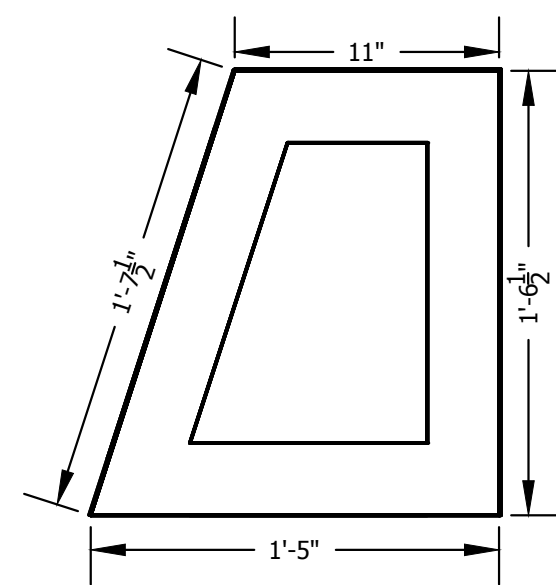
6 REHEARSAL BLOCK - TOP VIEW  
 2  
 1 1/2" = 1'-0"



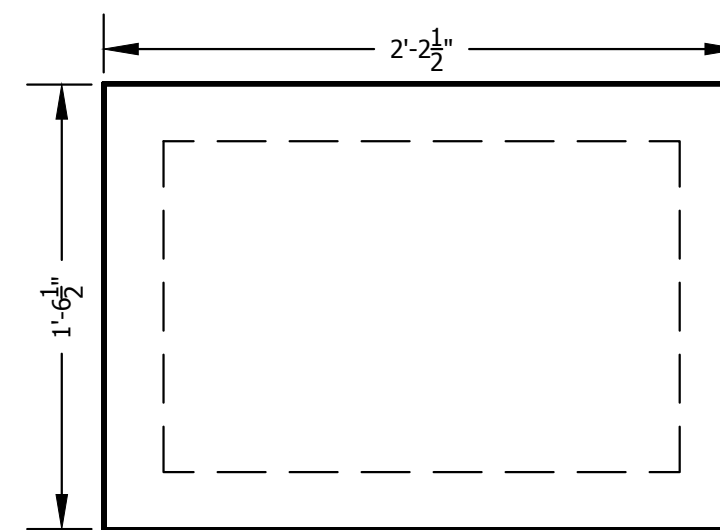
7 DODGE VAN - ISOMETRIC VIEW  
 2  
 1 1/2" = 1'-0"



8 DODGE VAN - FRONT VIEW  
 2  
 1 1/2" = 1'-0"



9 DODGE VAN - SIDE VIEW  
 2  
 1 1/2" = 1'-0"



10 DODGE VAN - BACK VIEW  
 2  
 1 1/2" = 1'-0"

NYC COLLEGE OF TECHNOLOGY	
KEVIN!!!!	
TECH PRODUCTION	PLATE No.
CONSTRUCTION DRAWINGS	K2
SCALE: AS NOTED	
DATE: 2.8.2017	
DRAFTER: CATARINA UCETA	OF: 3