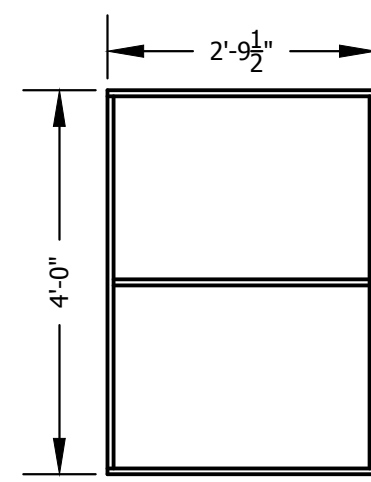
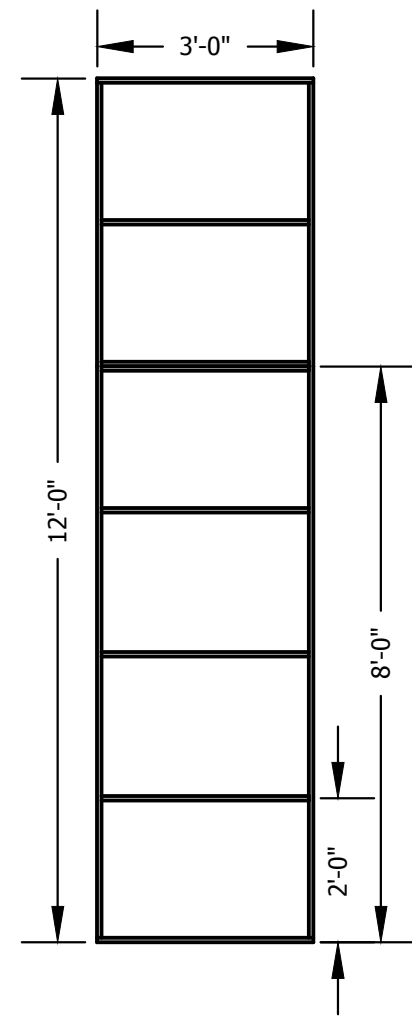


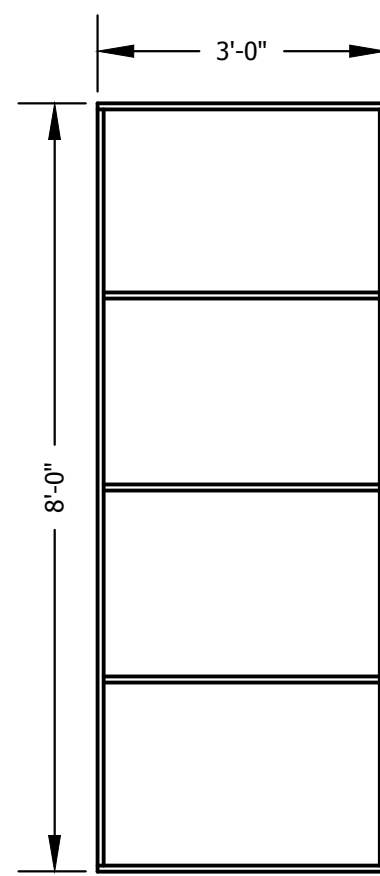
1 Flat A.1
1 Frame with 1x3
LID 1/8" Lauan
Build 1
1/2" = 1' - 0"



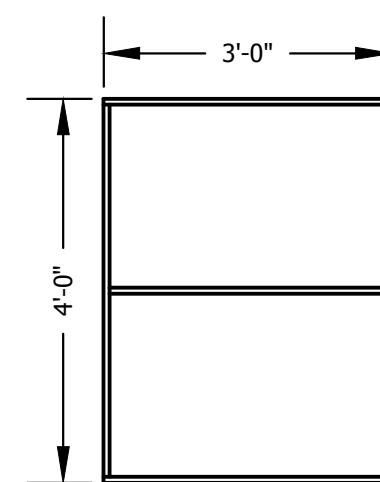
2 Flat A.2
1 Frame with 1x3
LID 1/8" Lauan
Build 1
1/2" = 1' - 0"



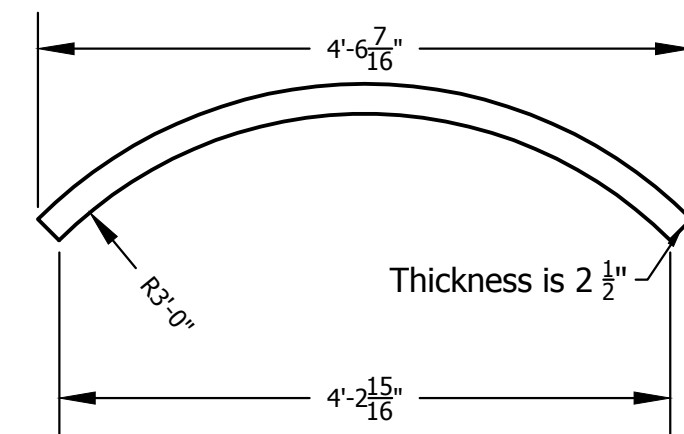
3 Flat B.1
1 Frame with 1x3
LID 1/8" Lauan
Build 1
3/8" = 1' - 0"



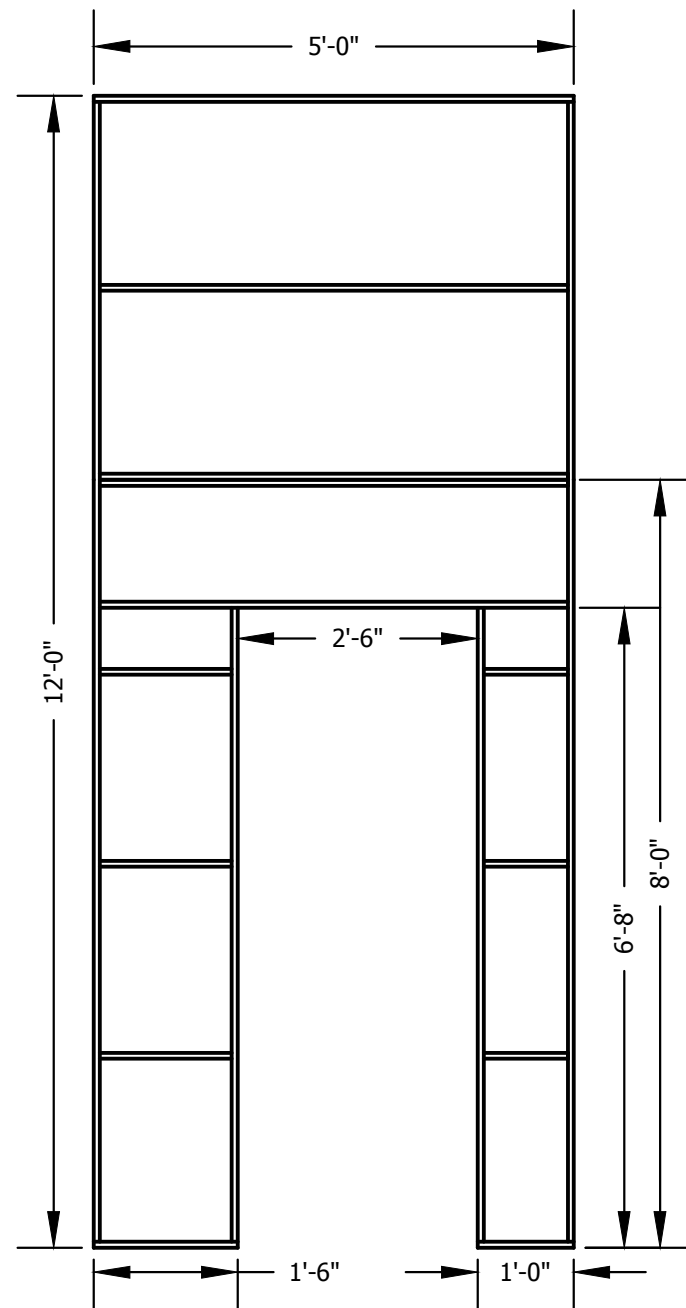
5 Flat C.1
1 Frame with 1x3
Toggles are made with 3/4" Ply
LID with 1/8" Lauan
Build 1
1/2" = 1' - 0"



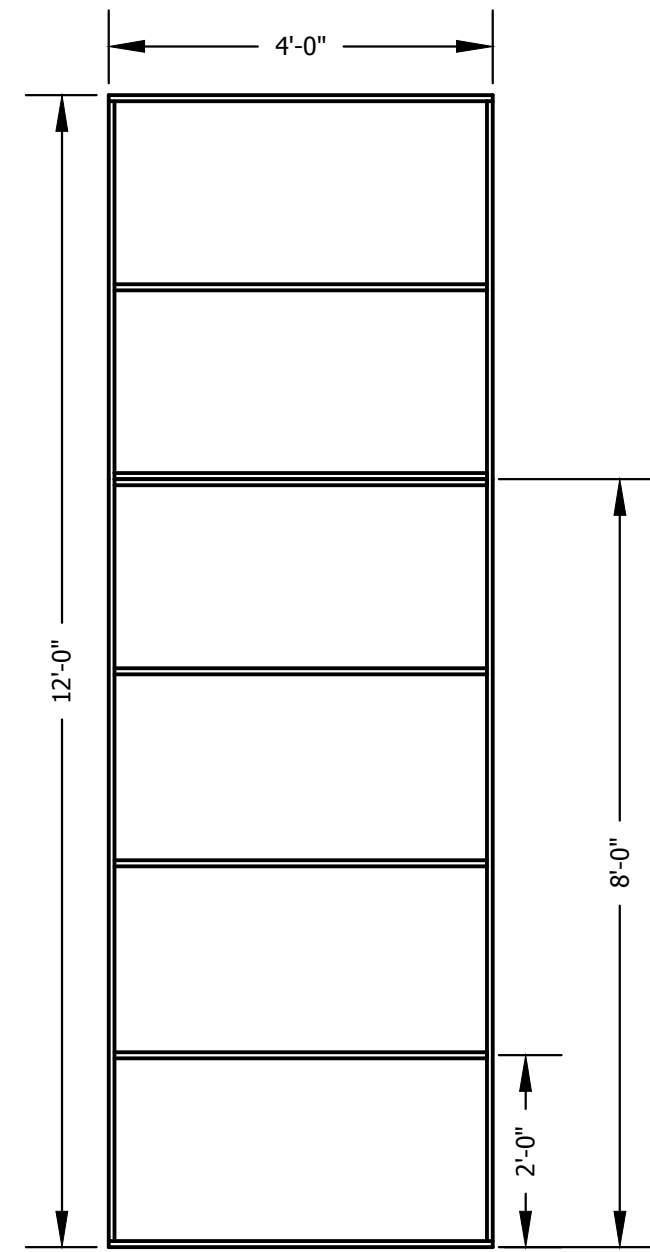
6 Flat C.2
1 Frame with 1x3
Toggles are made with 3/4" Ply
LID 1/8" Lauan
Build 1
1/2" = 1' - 0"



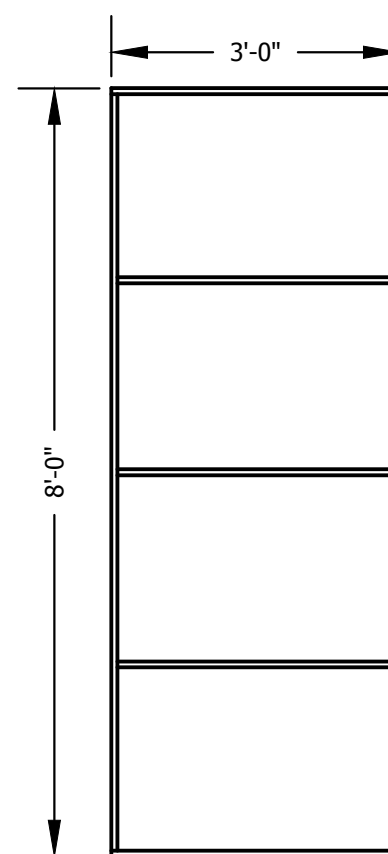
7 Flat C Top View
1 Arc Length is 4'-8 9/16" 1/2" = 1' - 0"



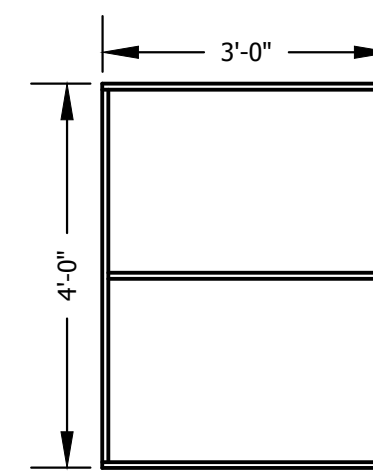
8 Flat D.1
1 Frame with 1x3
LID 1/8" Lauan
Build 1
1/2" = 1' - 0"



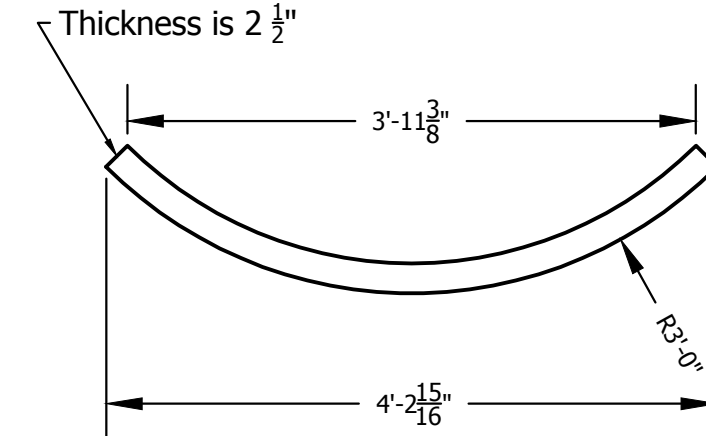
10 Flat E.1
1 Frame with 1x3
LID 1/8" Lauan
Build 1
1/2" = 1' - 0"



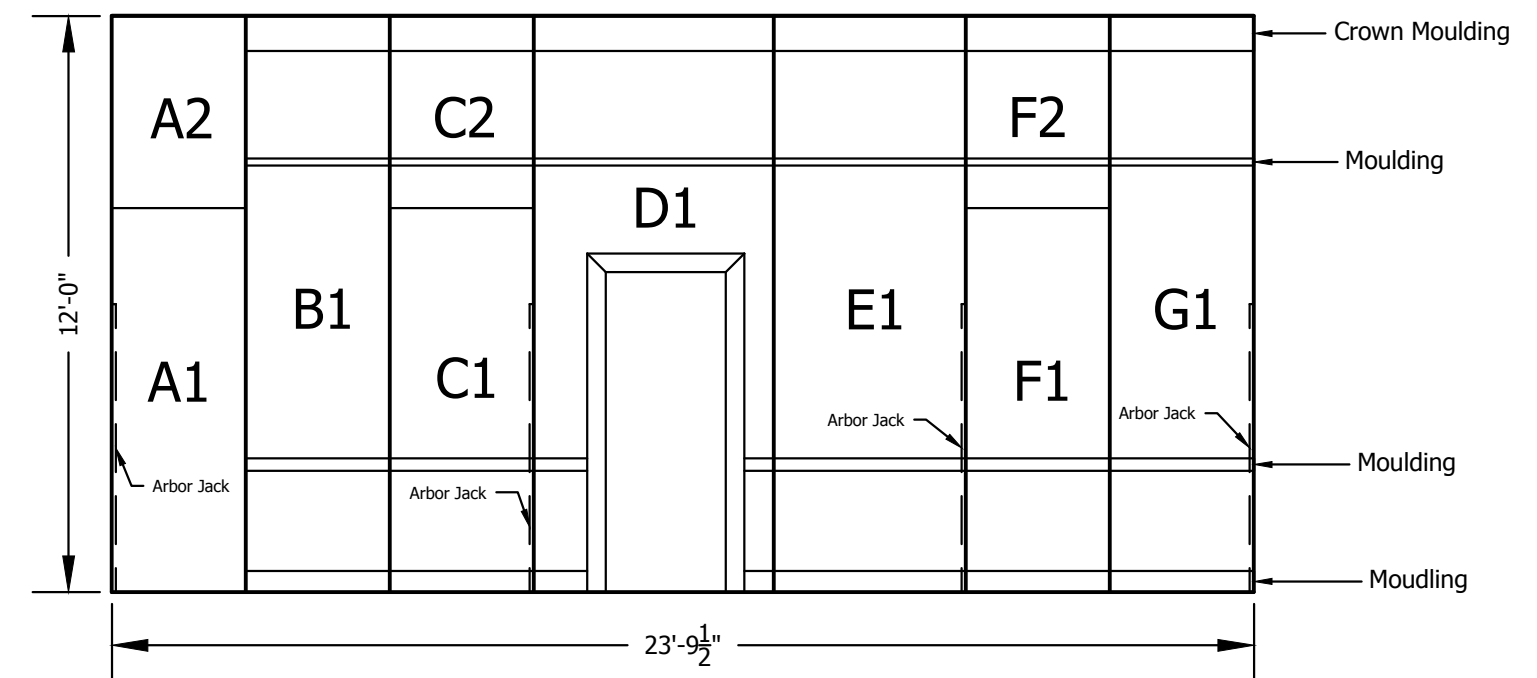
12 Flat F.1
1 Frame with 1x3
Toggles are made with 3/4" Ply
LID 1/4" Lauan
Build 1
1/2" = 1' - 0"



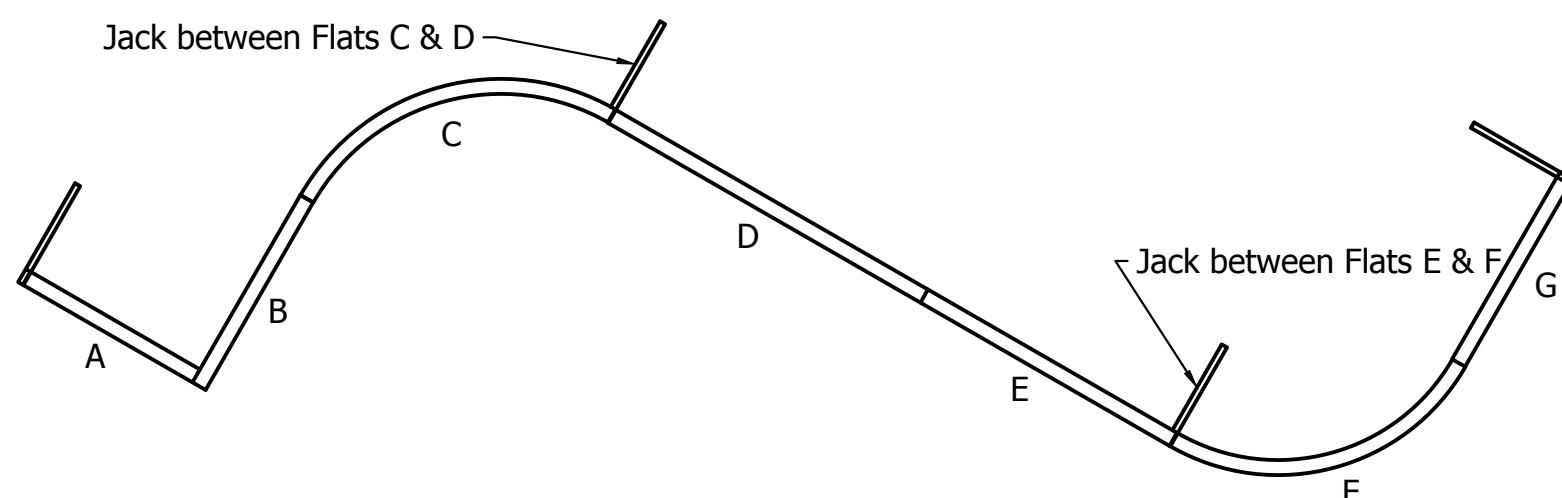
13 Flat F.2
1 Frame with 1x3
Toggles made with 3/4" Ply
LID 1/4" Lauan
Build 1
1/2" = 1' - 0"



14 Flat F Top View
1 Arc Length is 4'-8 9/16" 1/2" = 1' - 0"



15 Flat Layout
1 Flats C and F are at a curve 1/4" = 1' - 0"



16 Arbor Jack Placements
1 Jacks placed at both ends 3/8" = 1' - 0"

Notes:
Build 2 4'-0" x 8'-0" masking flats

NYC COLLEGE OF TECHNOLOGY	
TECHNICAL DIRECTION	
PROBLEM 3 – FLATS	PLATE NO.
Flat Layout & Construction Drawings	1
SCALE: AS NOTED	
DATE: 3.30.2016	
DRAFTER: CATARINA UCETA	OF: 1