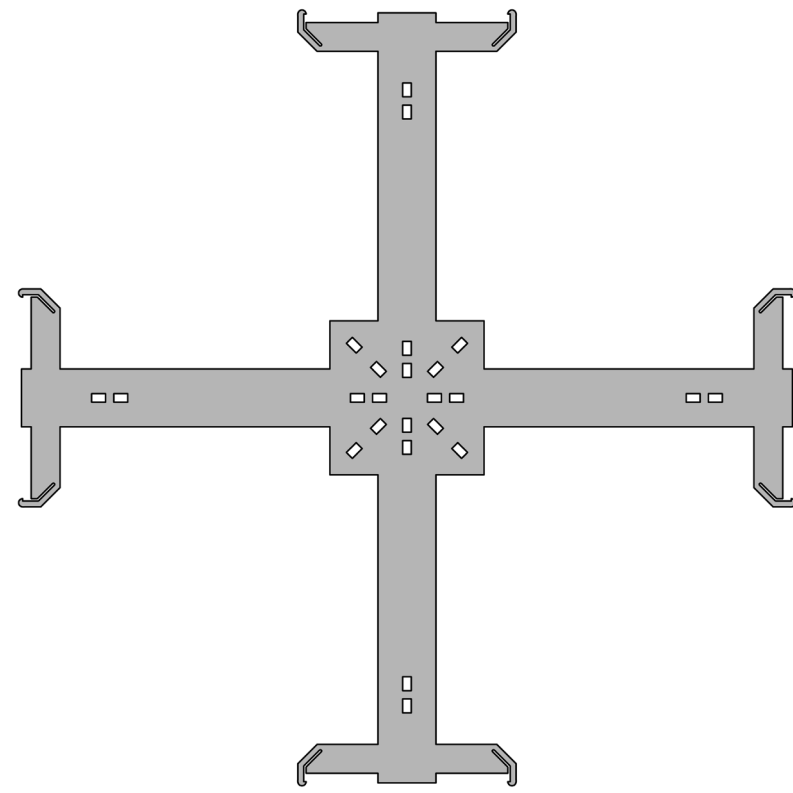


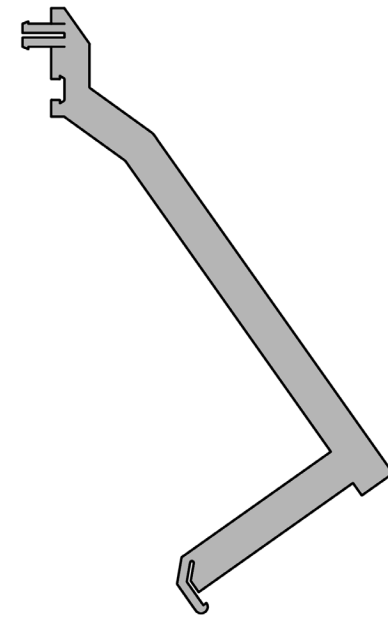
CORE TYPE ONE

of Components: 1

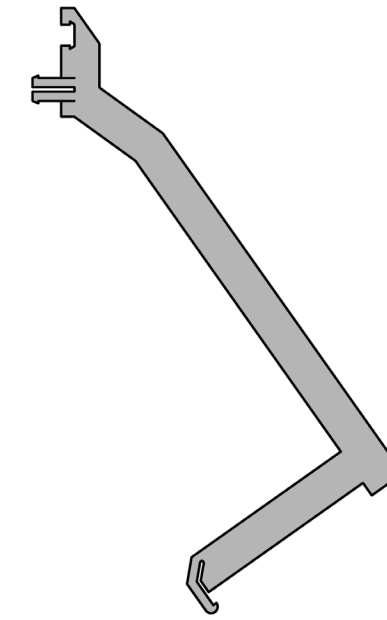


SIDE LEG TYPE 1 SIDE LEG TYPE 2

of Components: 4

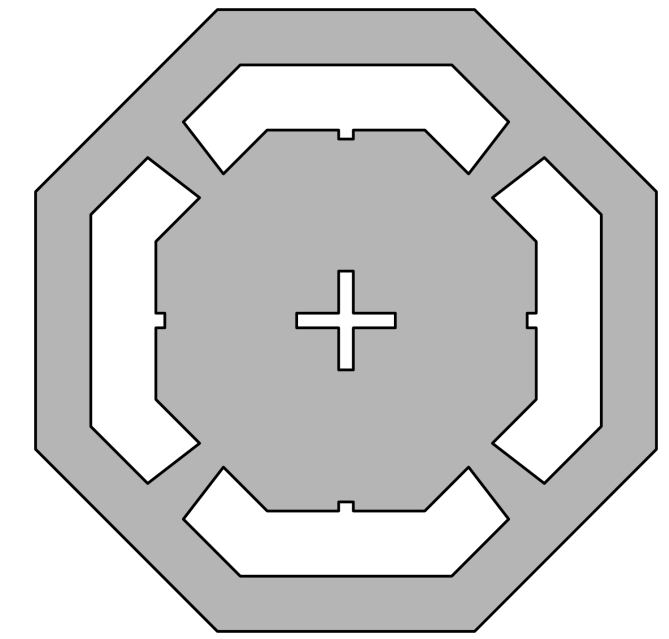


of Components: 4



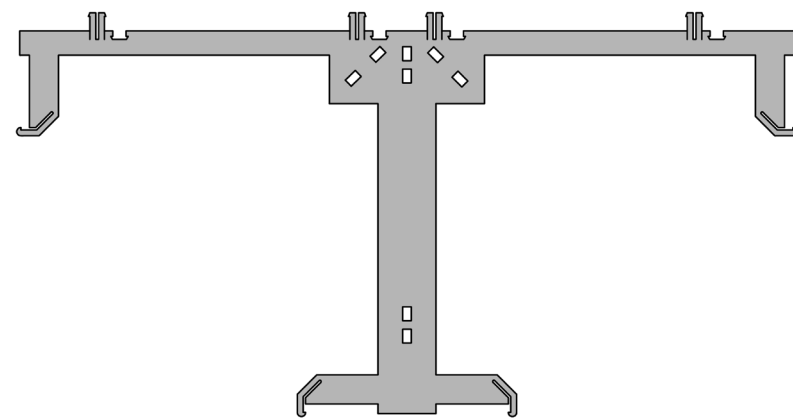
PANEL TYPE ONE

of Components: 2



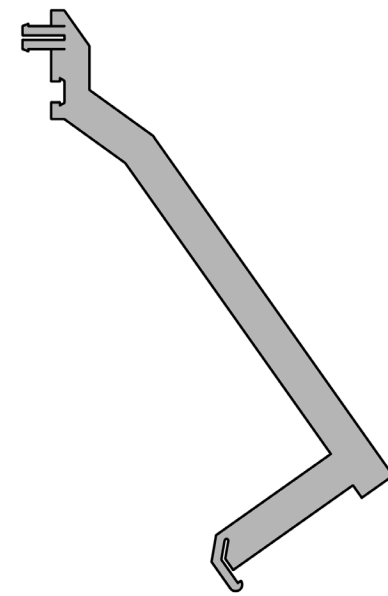
CORE TYPE TWO

of Components: 2

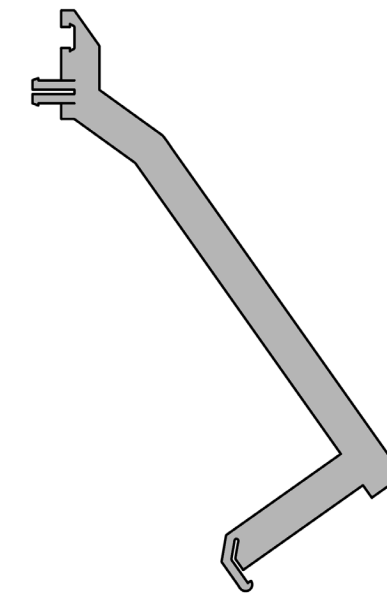


SIDE LEG TYPE 3 SIDE LEG TYPE 4

of Components: 8

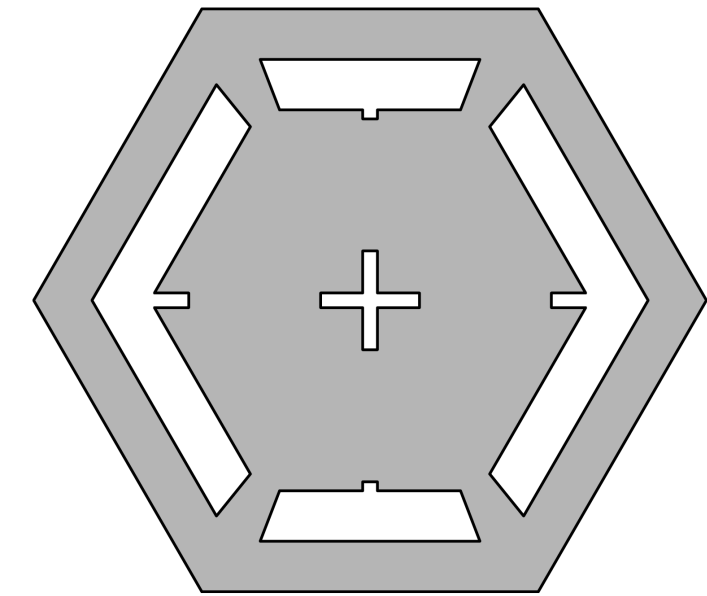


of Components: 8



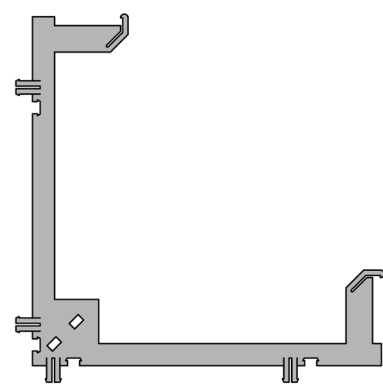
PANEL TYPE TWO

of Components: 4



CORE TYPE THREE

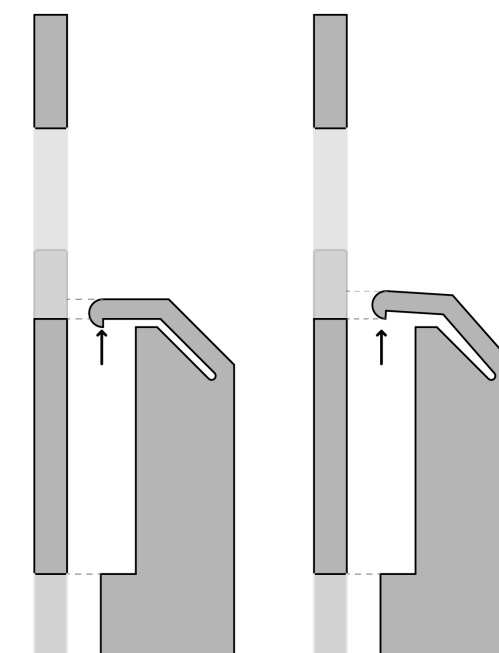
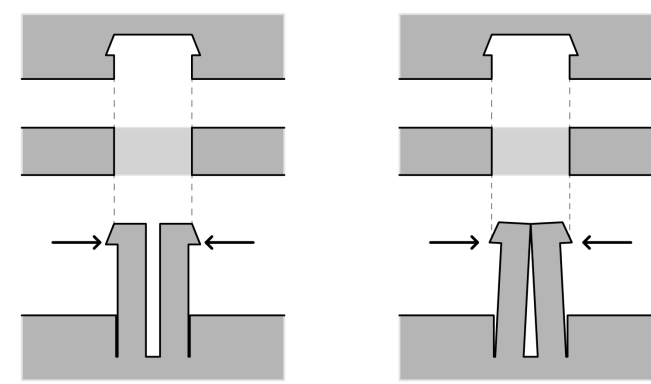
of Components: 4



CLIP TYPES

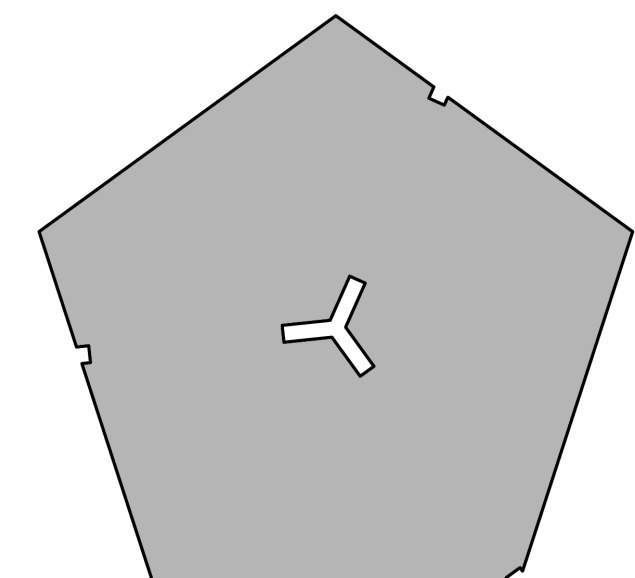
Structure Connections

Panel Connections



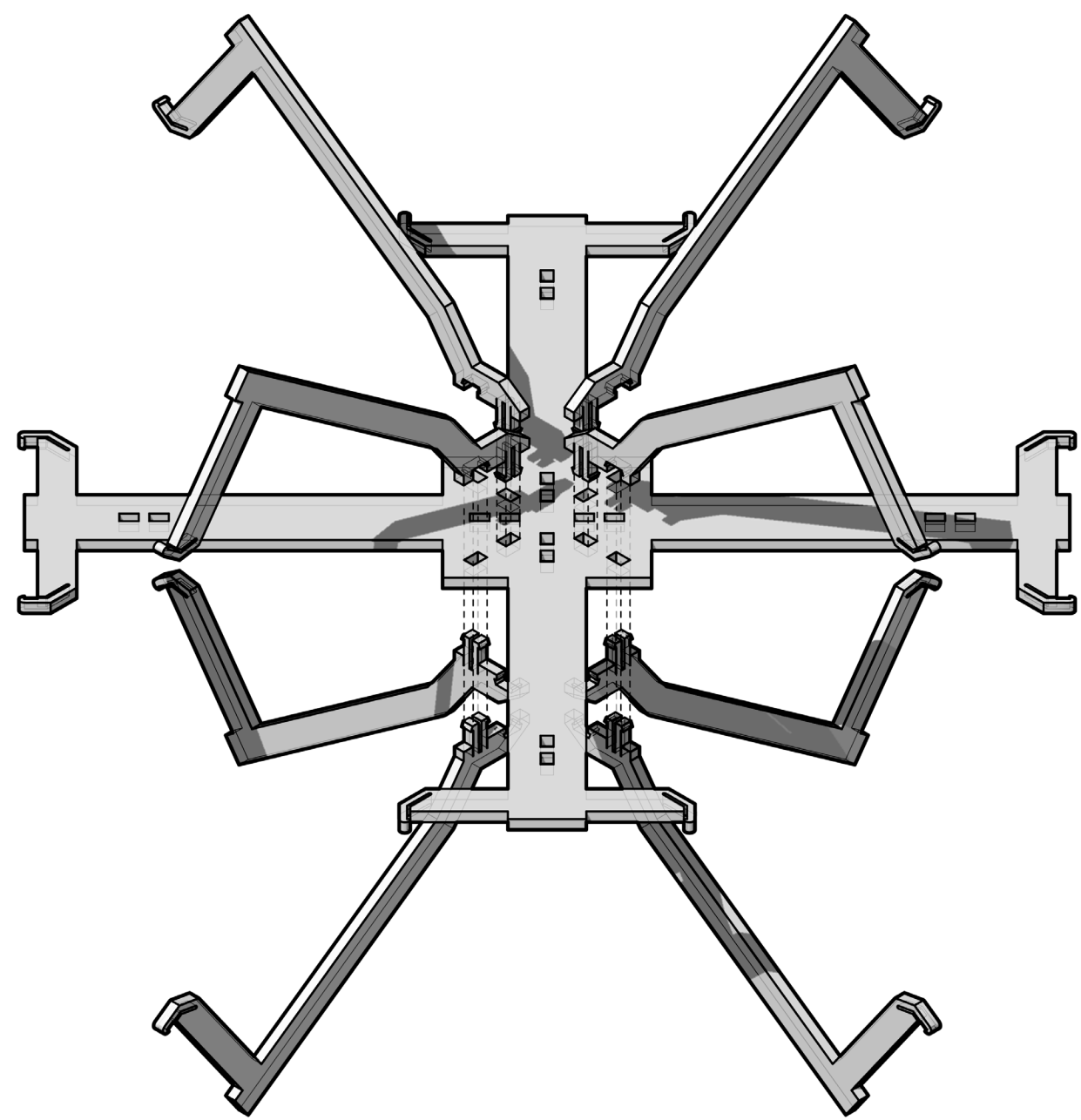
PANEL TYPE THREE

of Components: 8



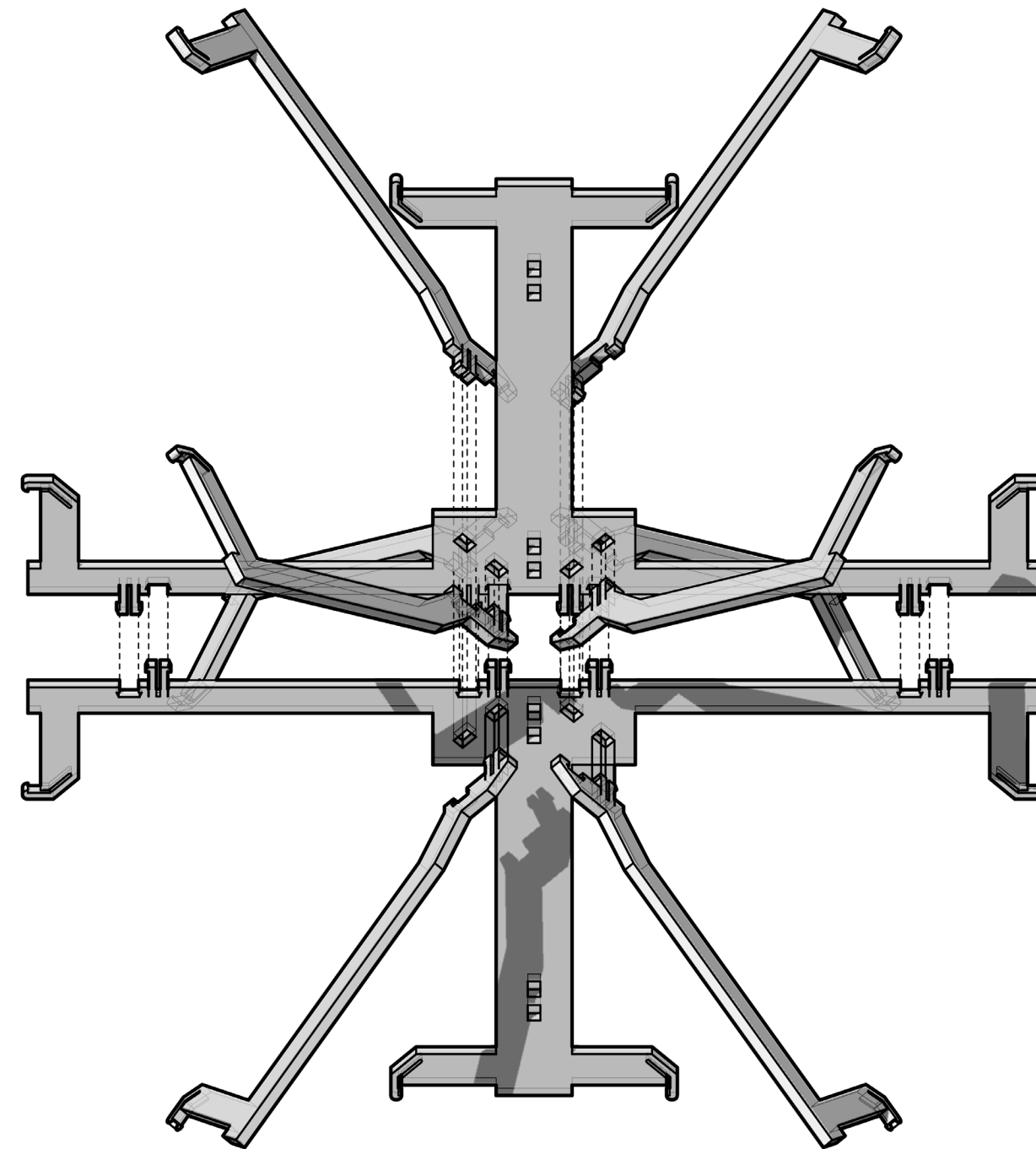
CORE CONNECTIONS ONE

Side Legs Type One and Type Two are connected to each other through the Core Type One openings.



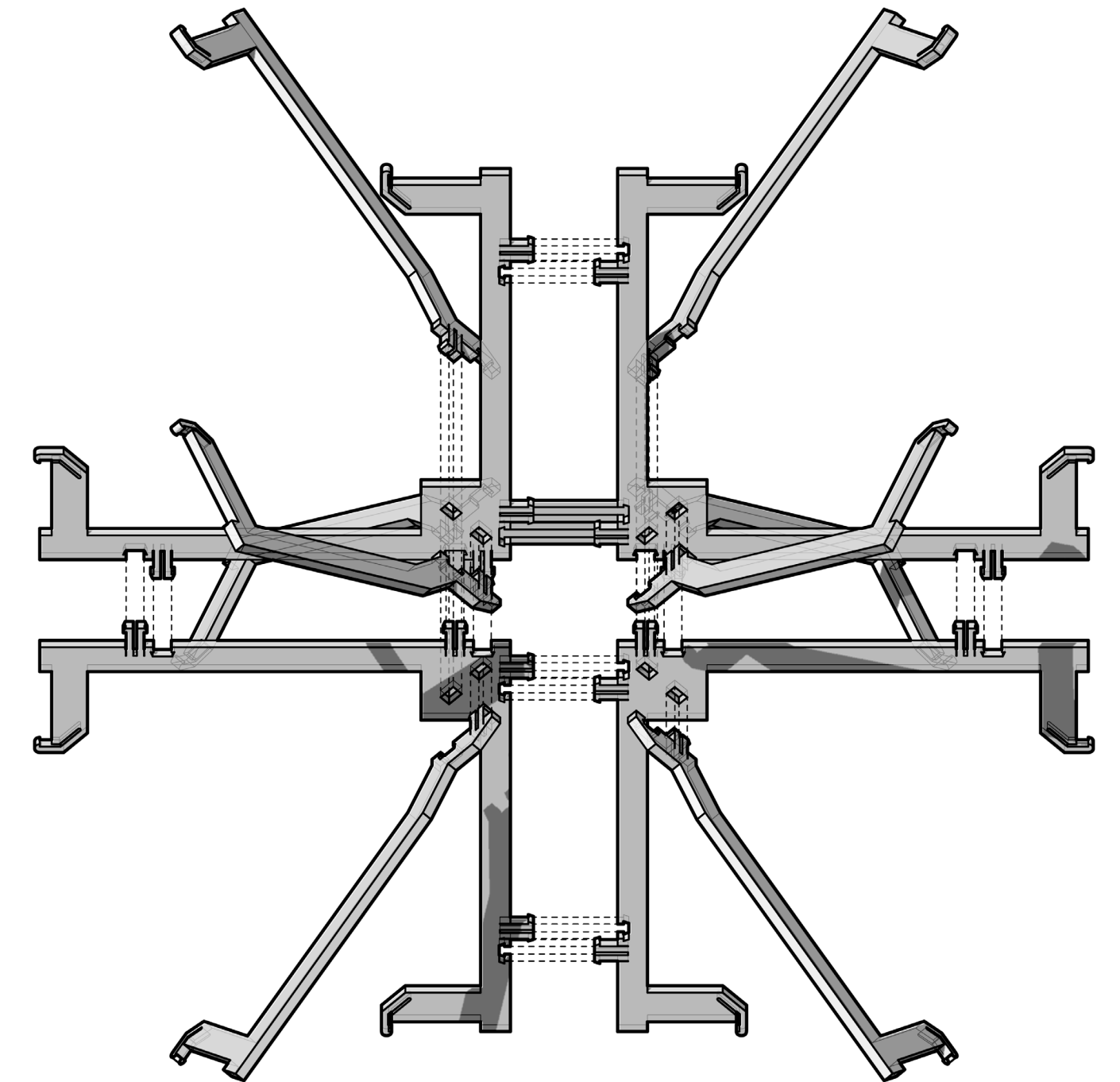
CORE CONNECTIONS TWO

Side Legs Type Three and Type Four are connected to each other through the Core Type Two openings. These complete components are attached to the complete Core Type One component.



CORE CONNECTIONS THREE

Side Legs Type One and Type Two are connected to each other through the Core Type One openings. These complete components are attached to the complete Core Type Two components.



COMPLETE CORE

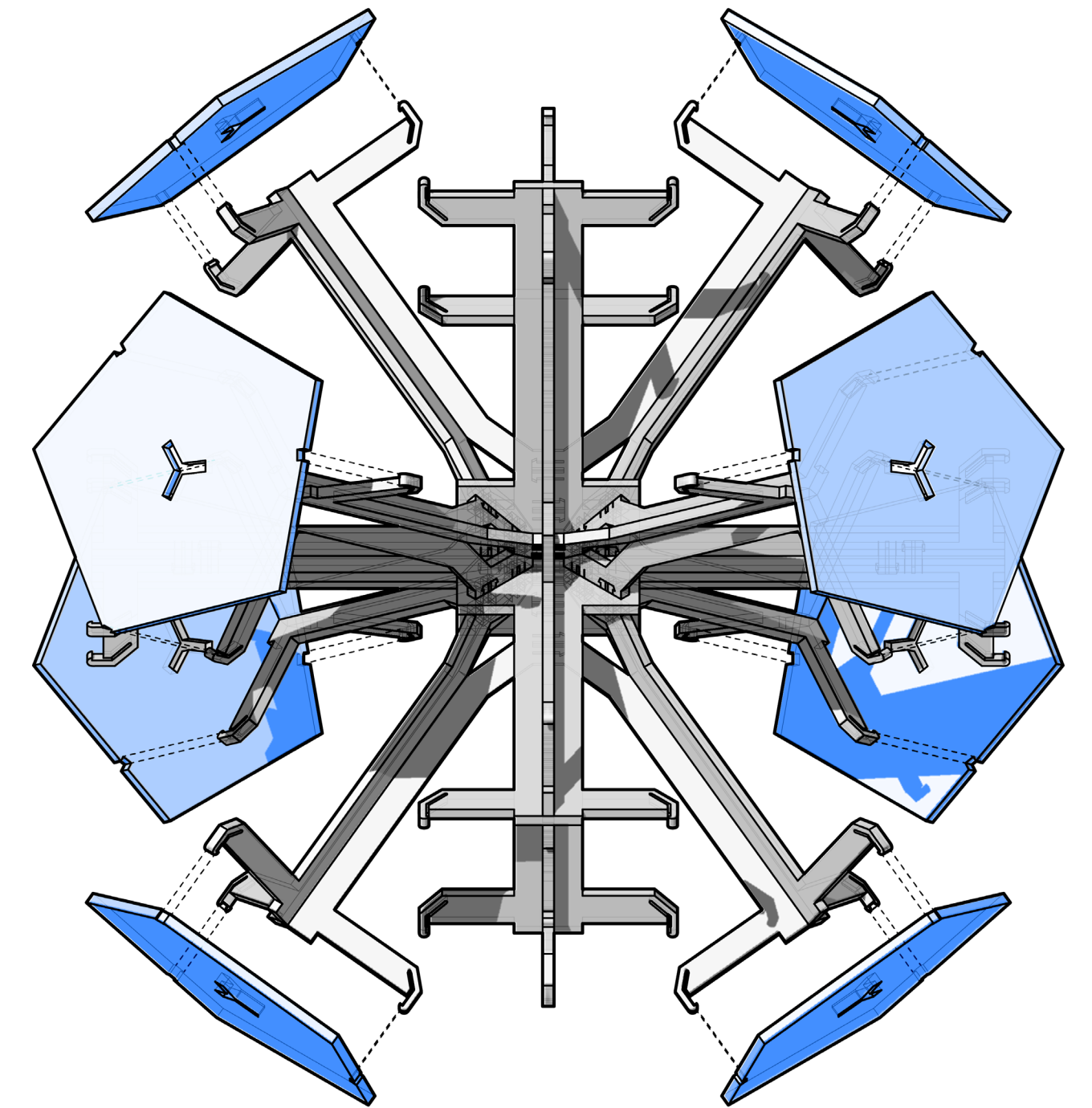
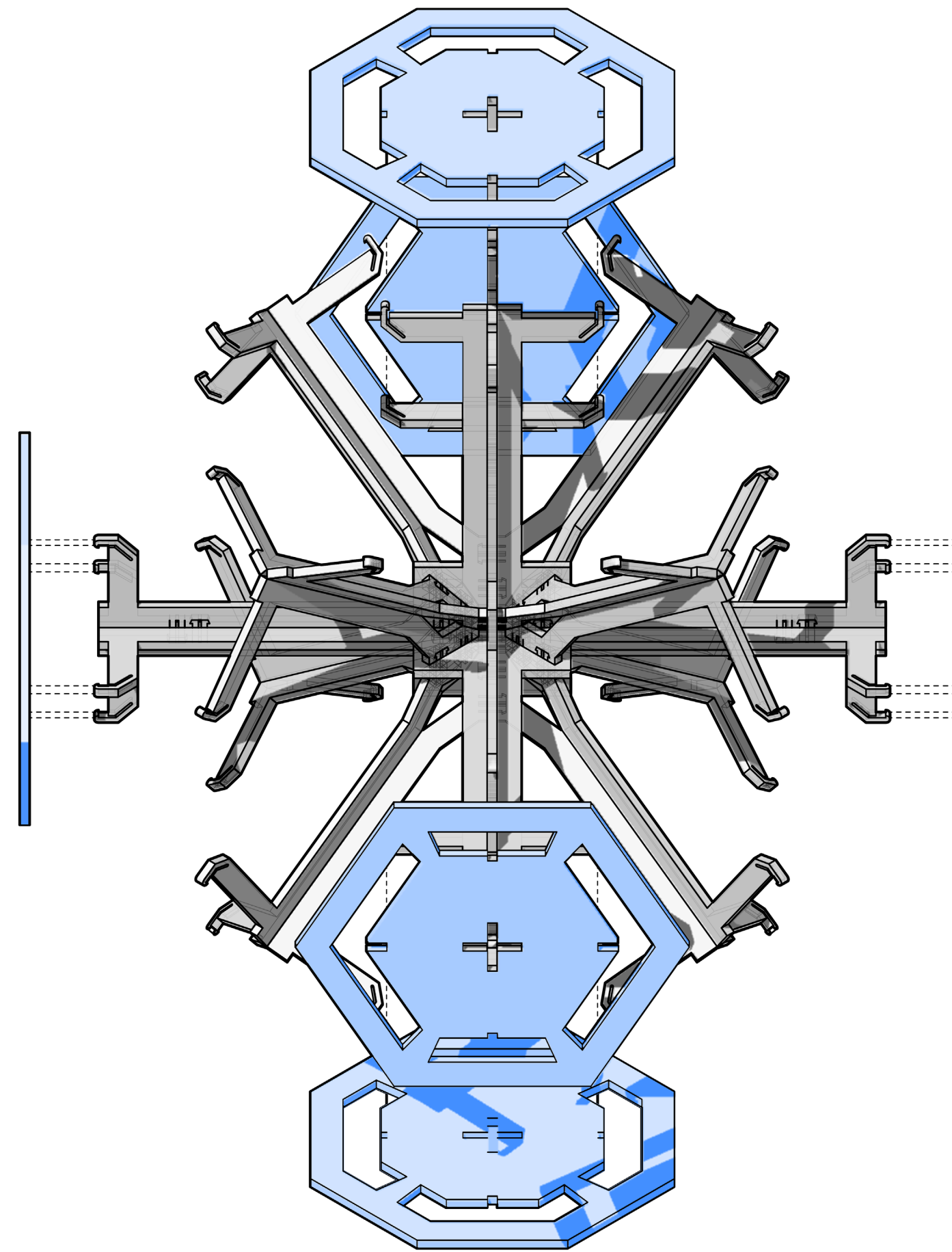
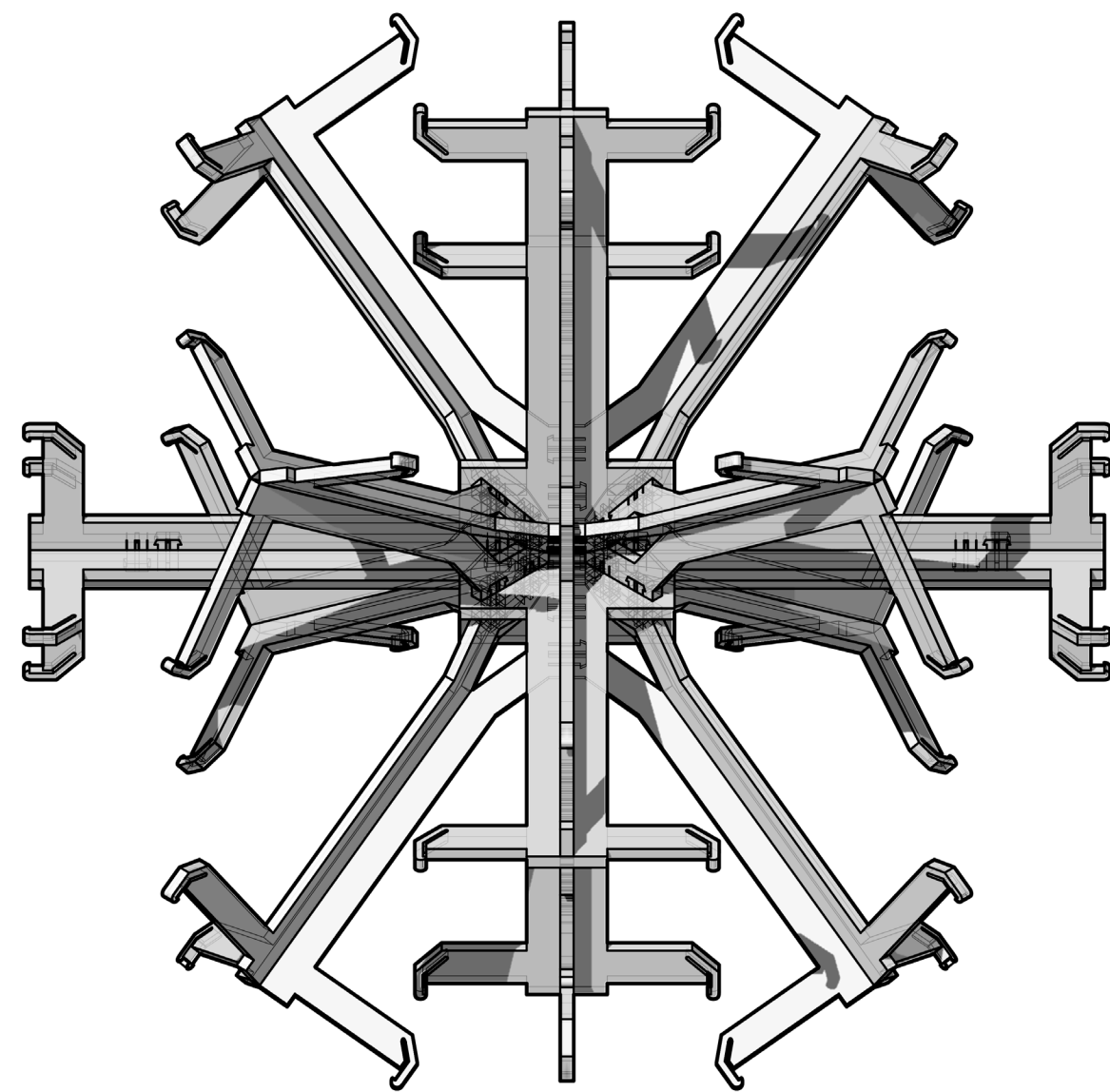
Complete Core ready for Panel attachment.

MAJOR PANELS

Core Panels are clipped to the corresponding core legs.

SIDE PANELS

Side Panels are clipped to the corresponding side legs.



COMPLETE SPHERE

