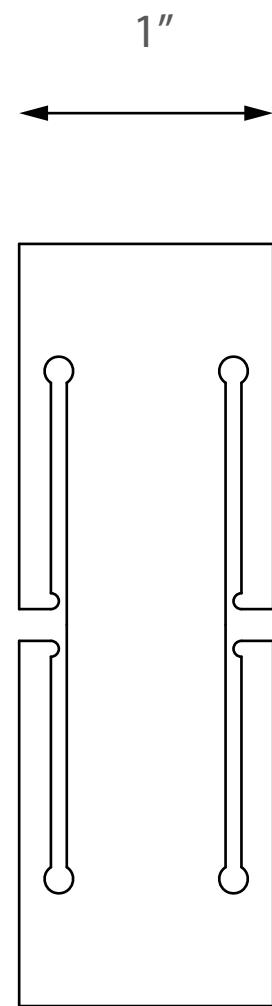
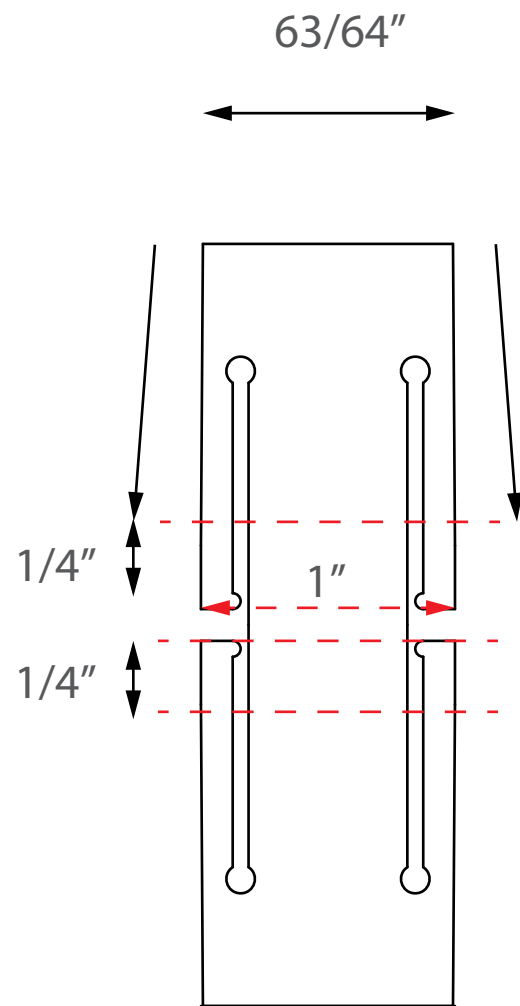


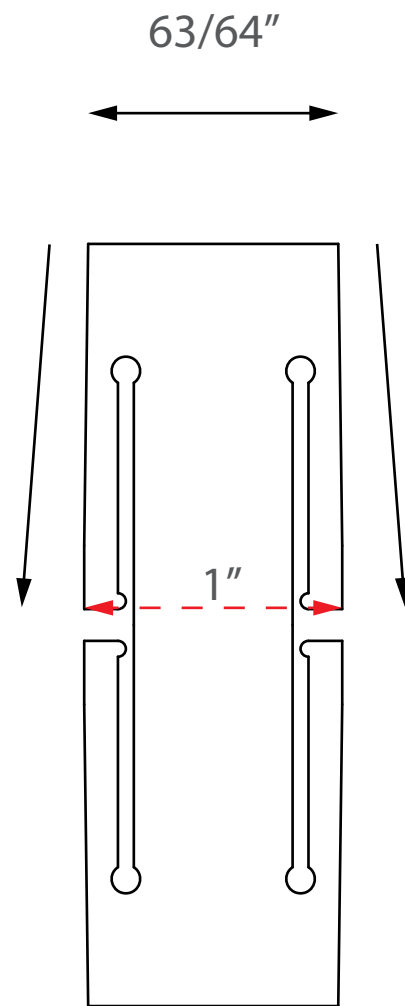
connecting pieces_varieties



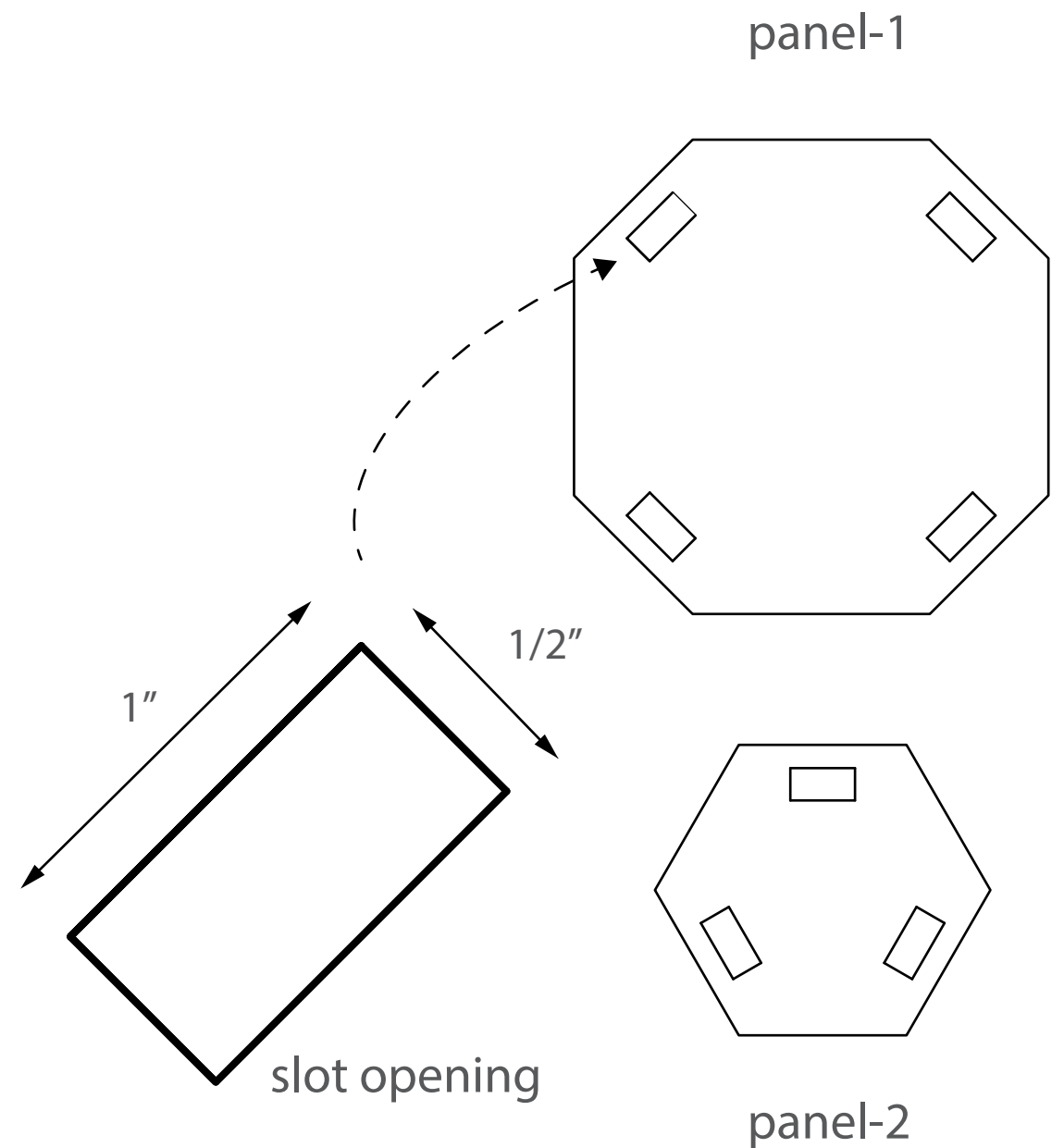
1



2



3



panel-1

panel-2

slot opening

diagram