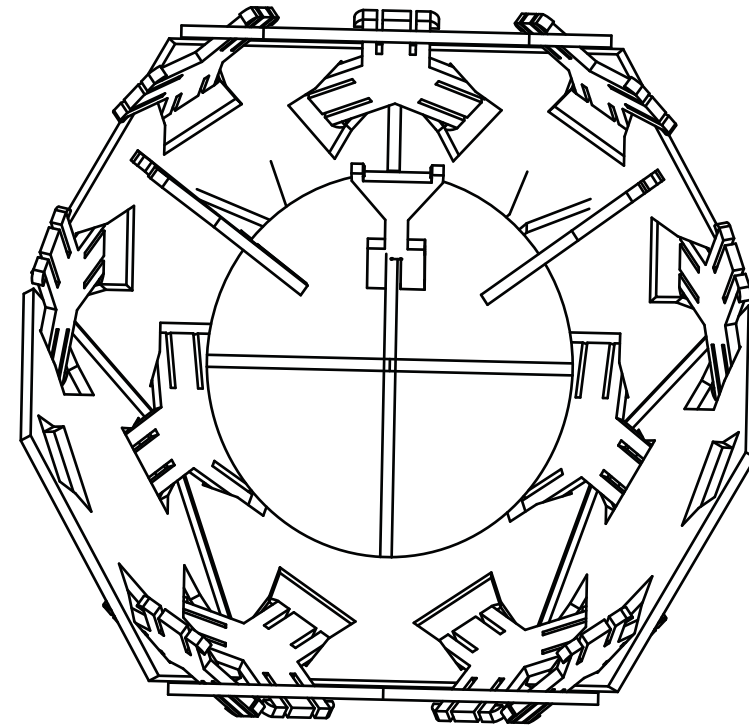


TENSION

TENSION

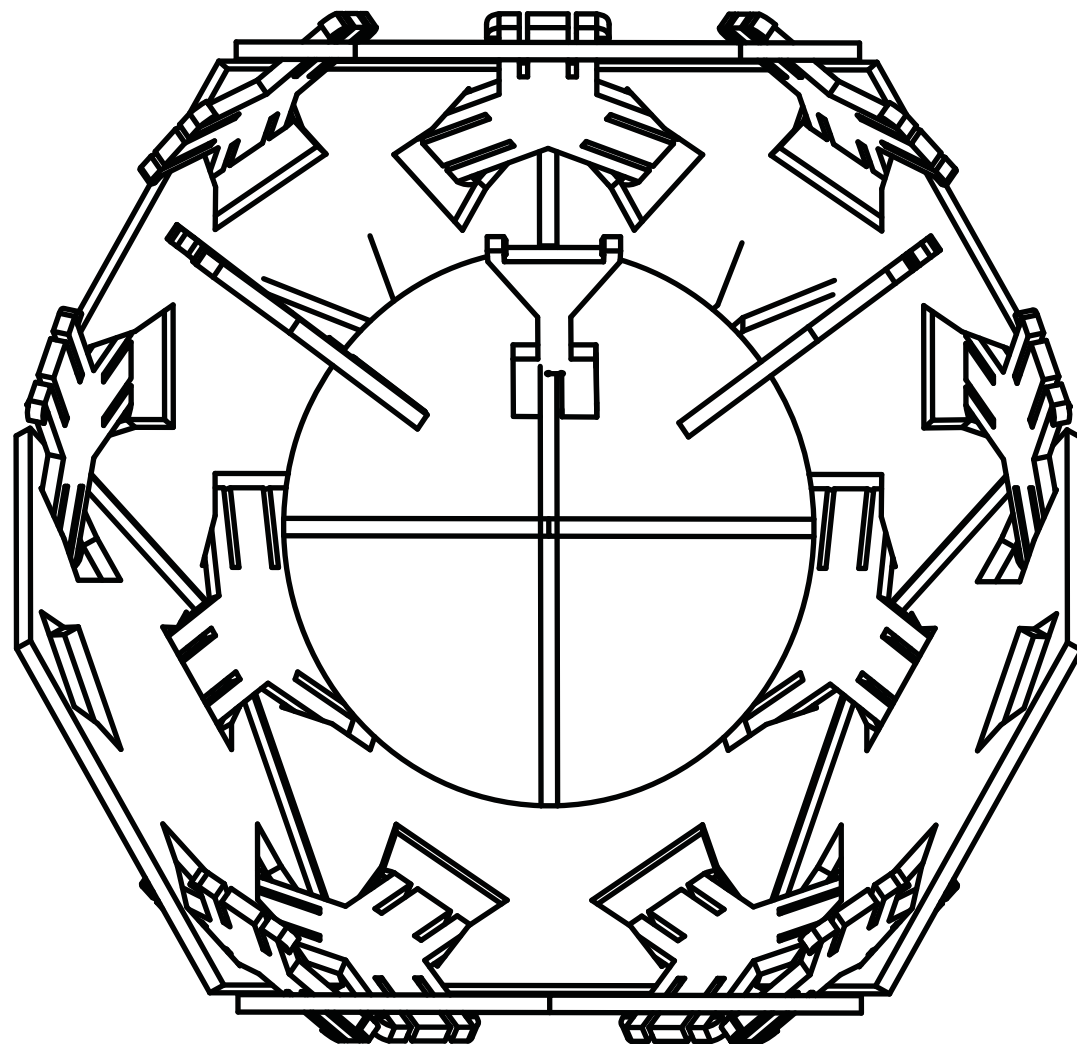
friction

FRICTION



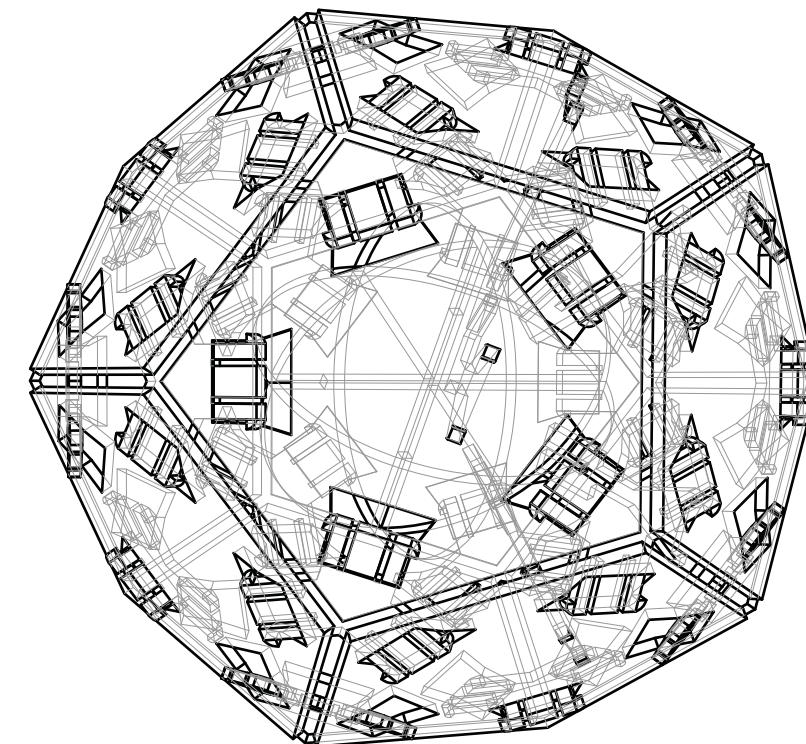
SECTION

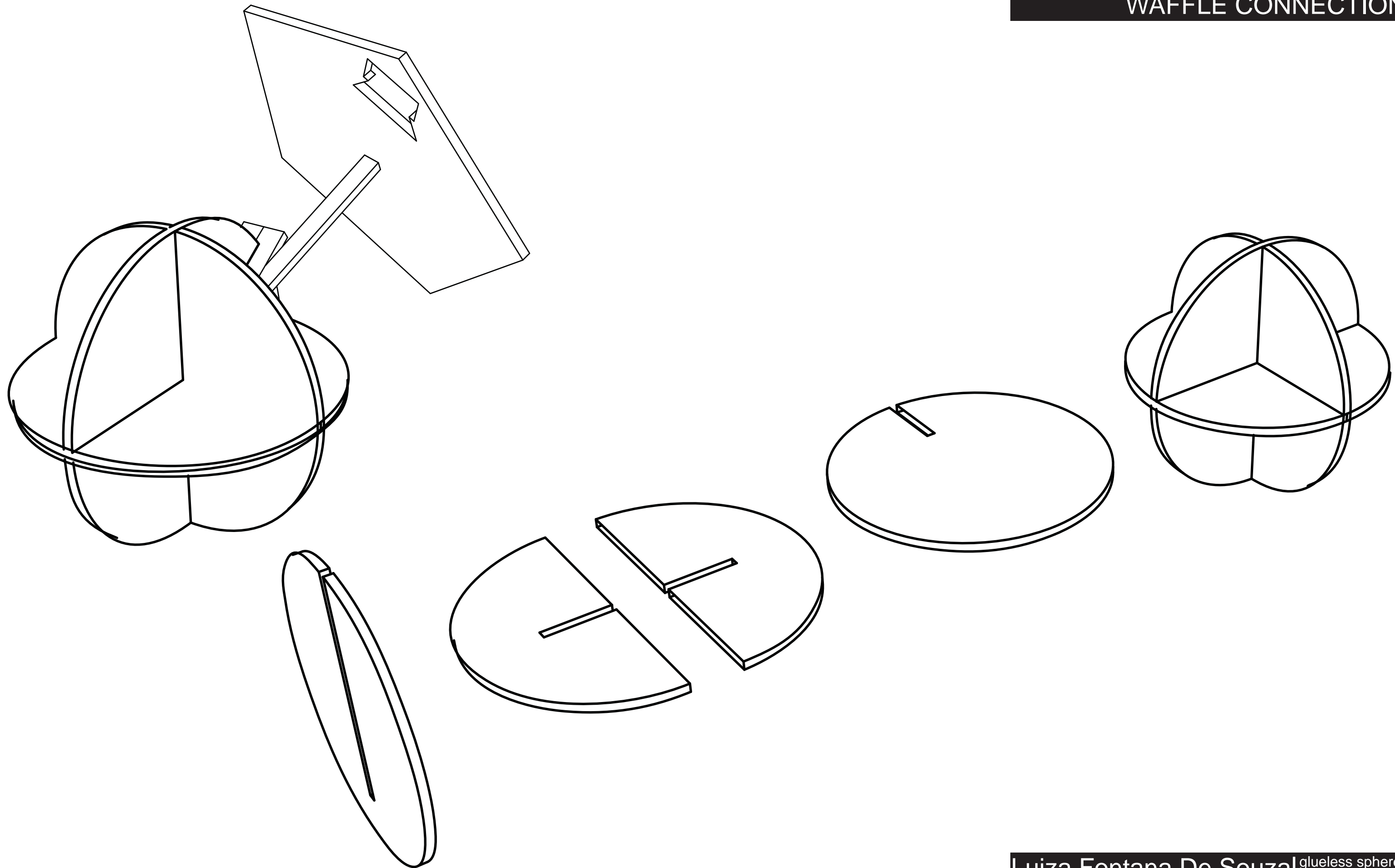
SCALE 1"-1/2"



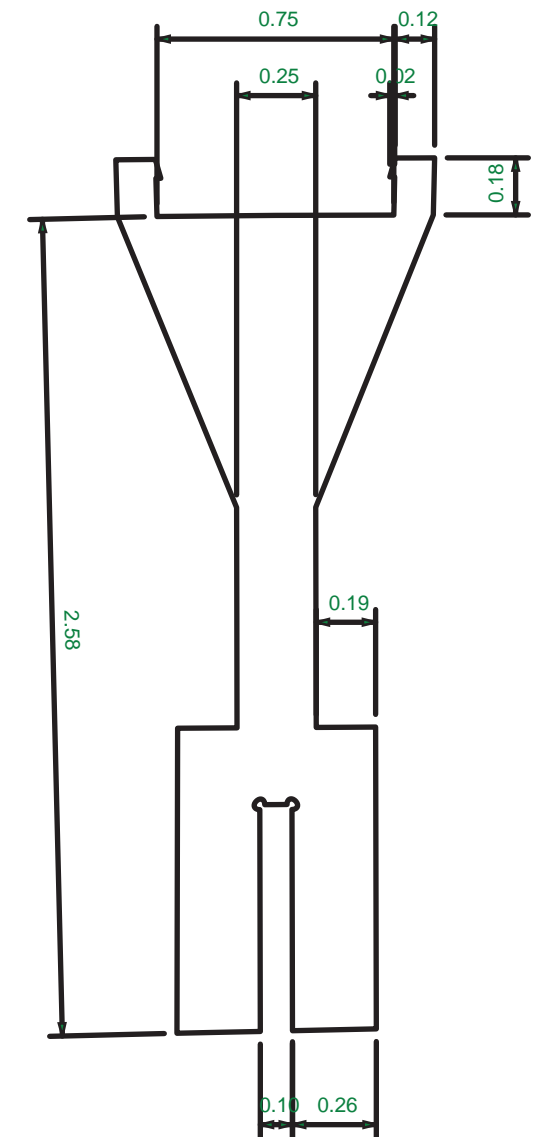
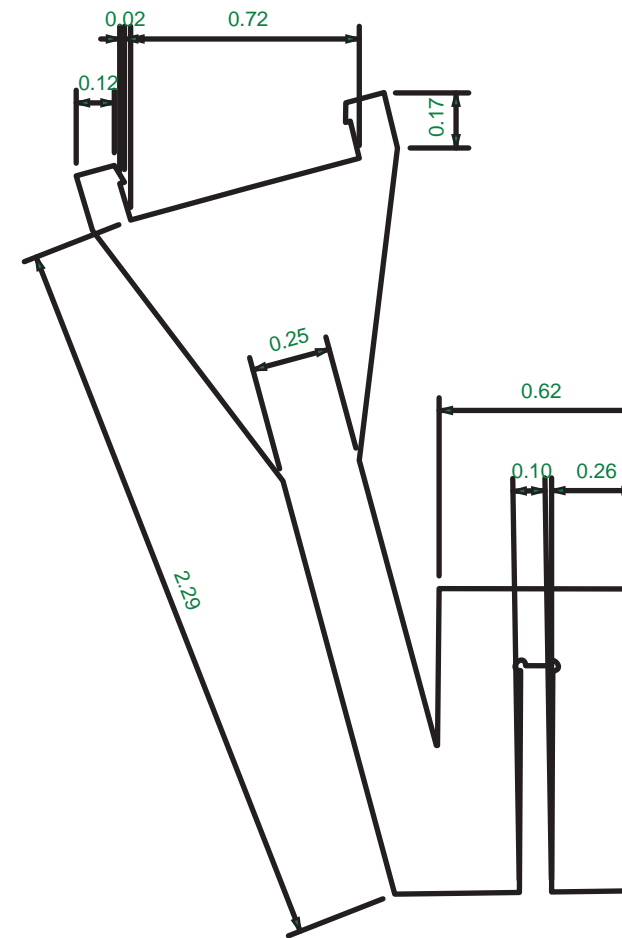
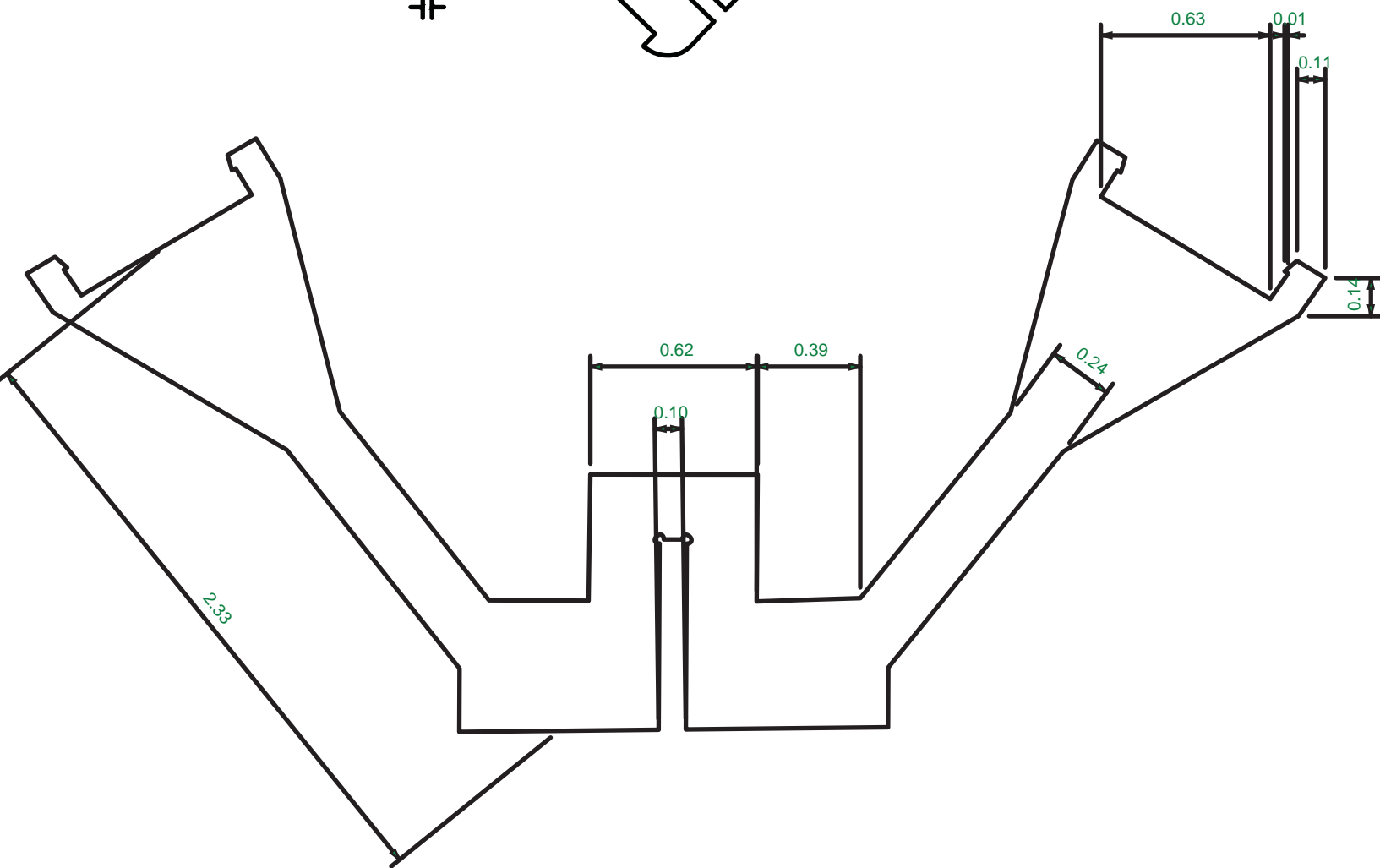
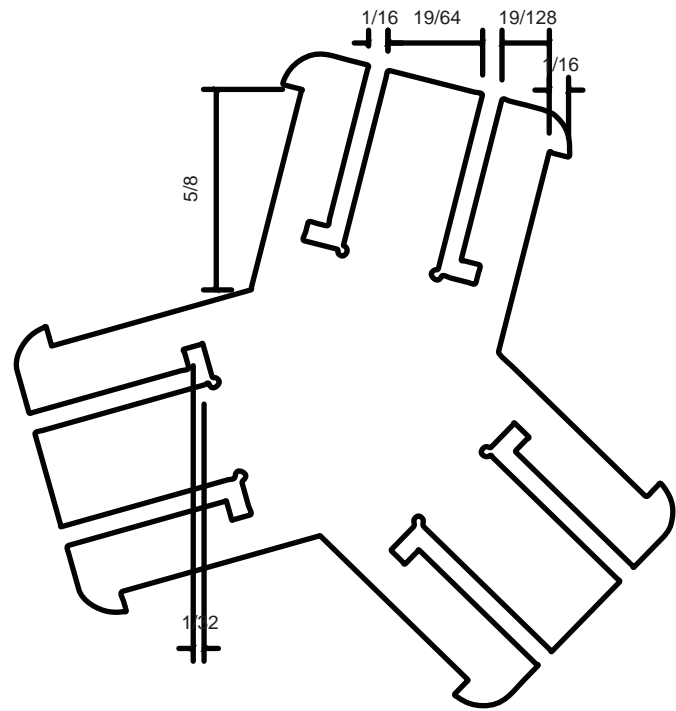
PLAN

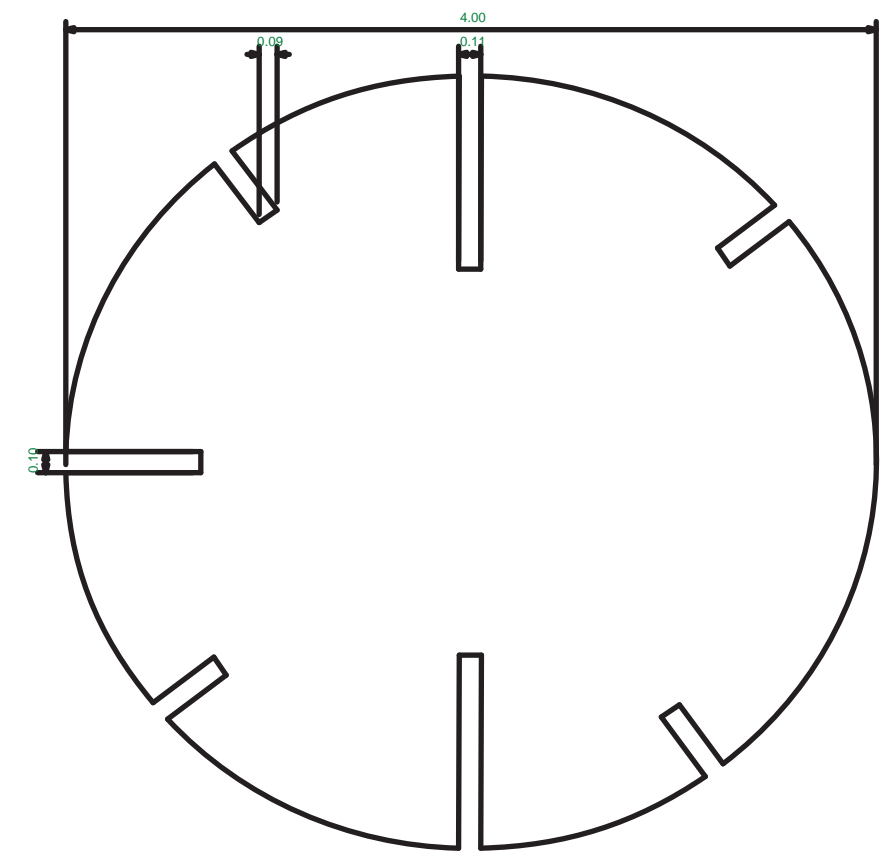
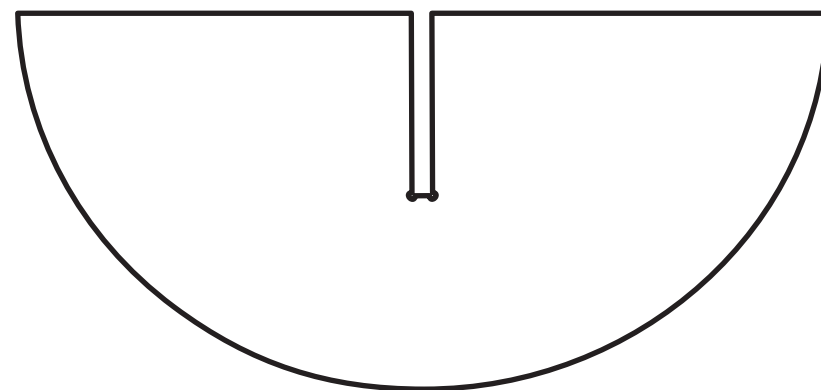
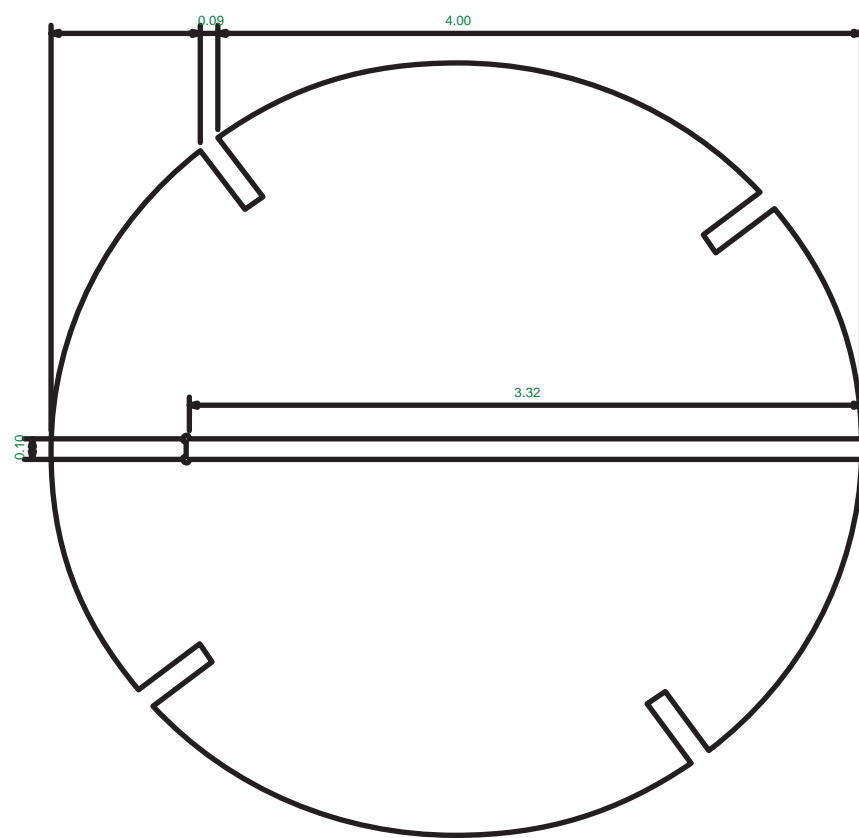
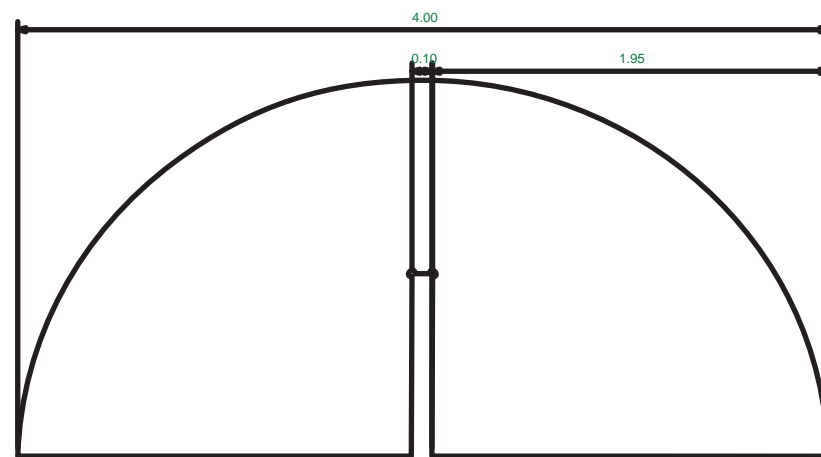
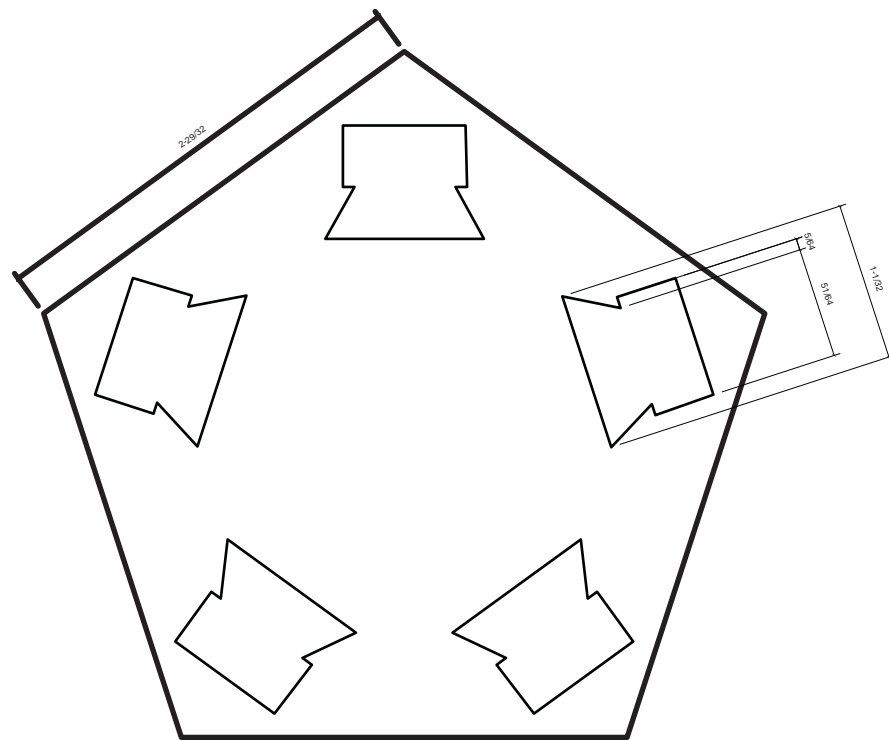
SCALE 1"-1/2"



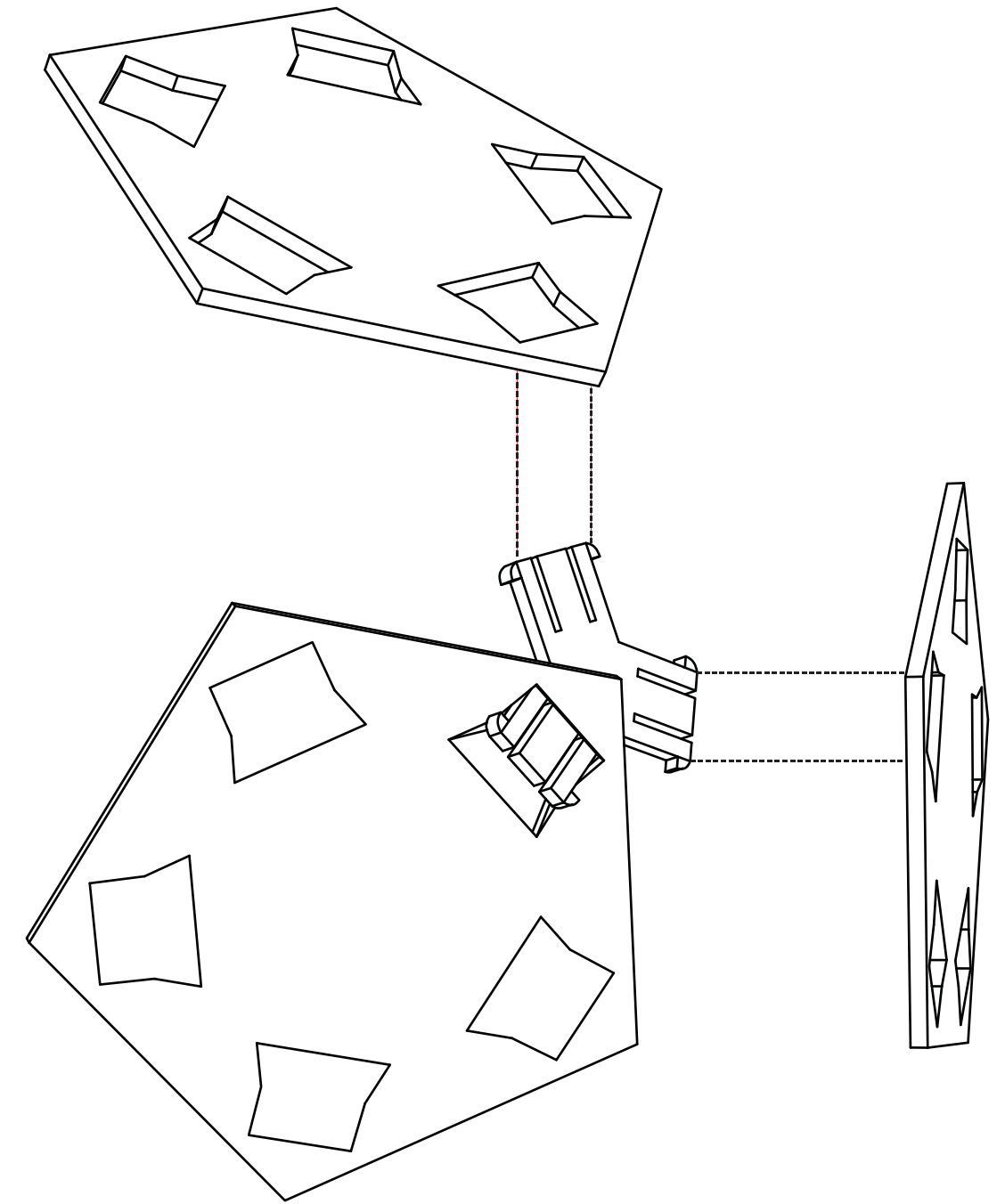
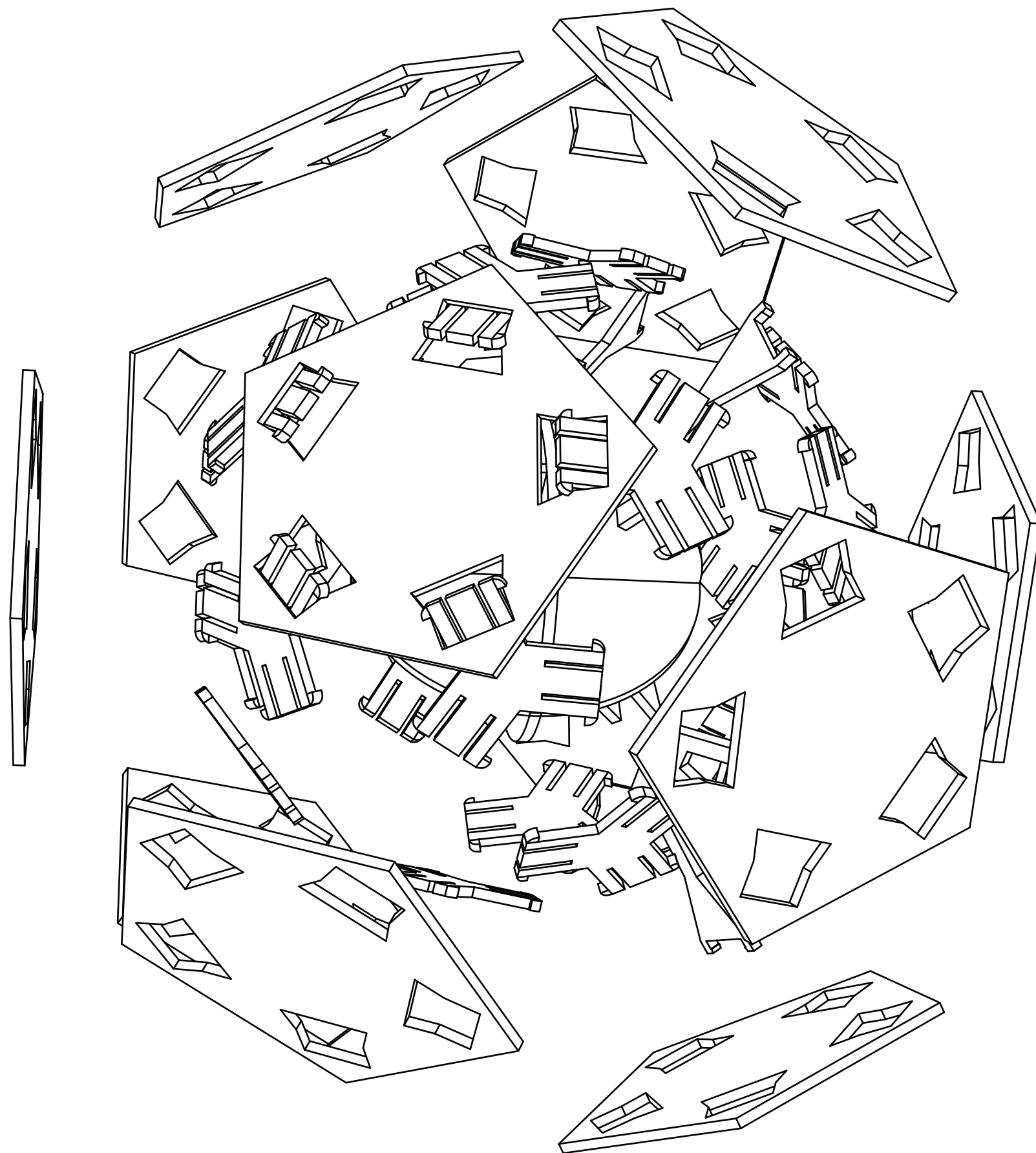


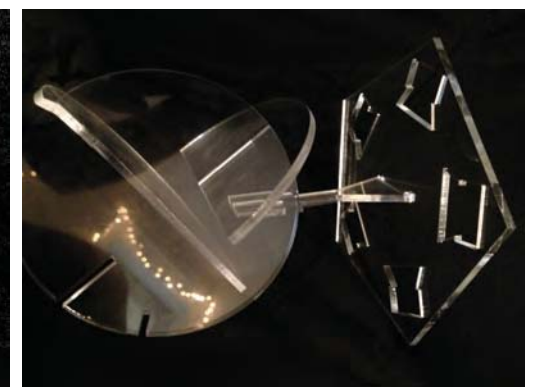
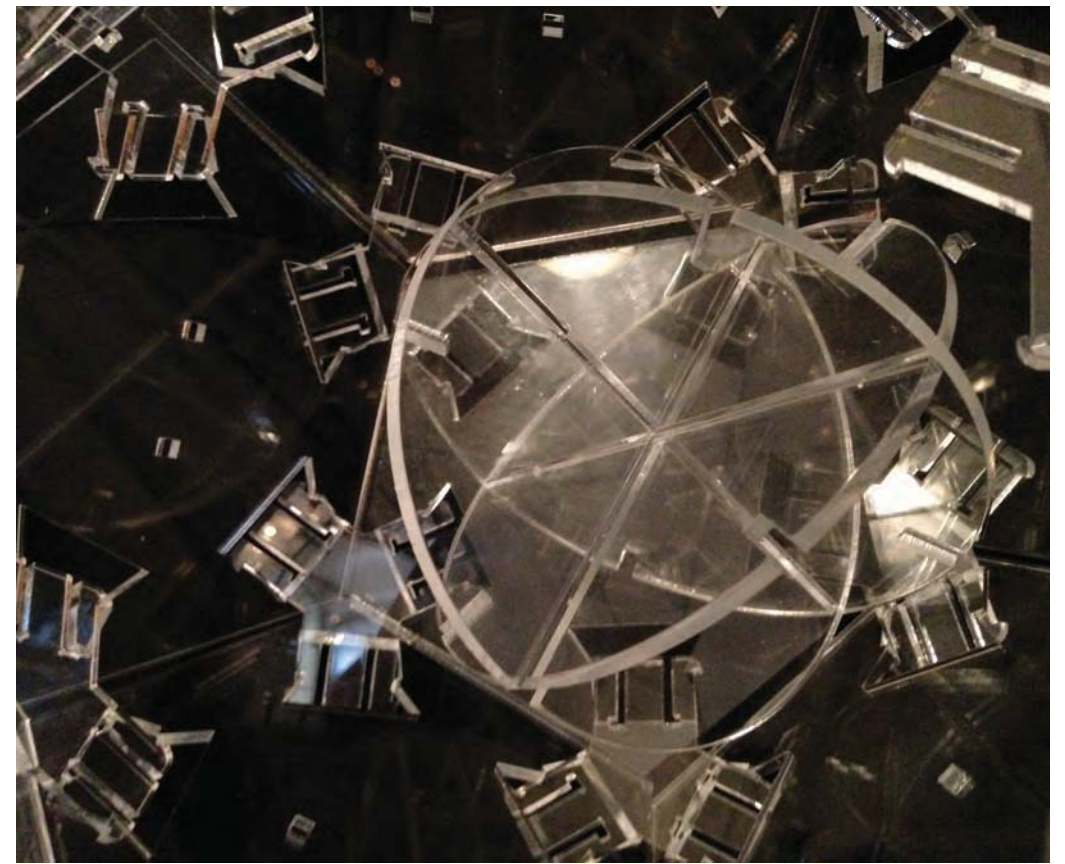
CONNECTION PIECES



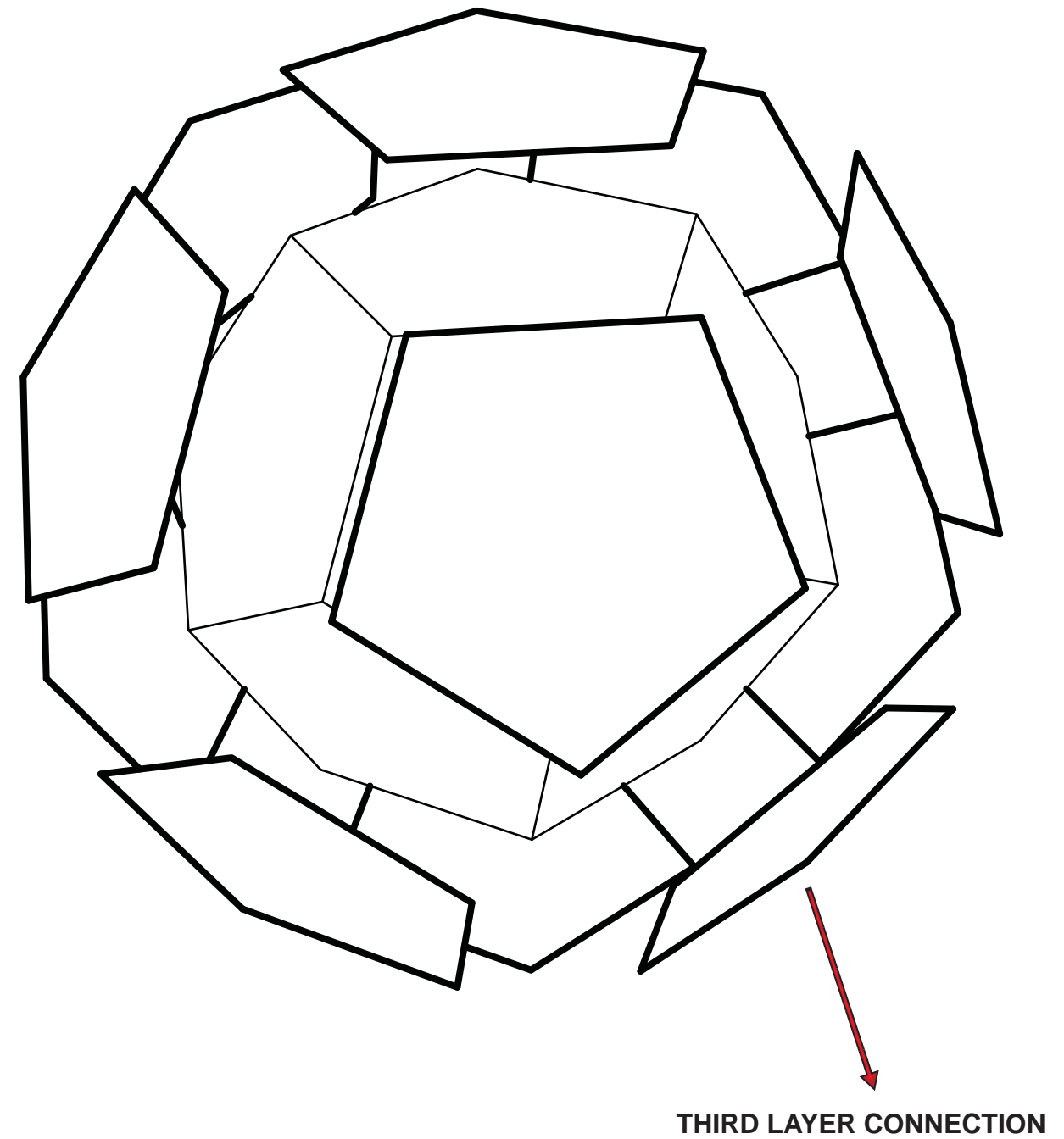
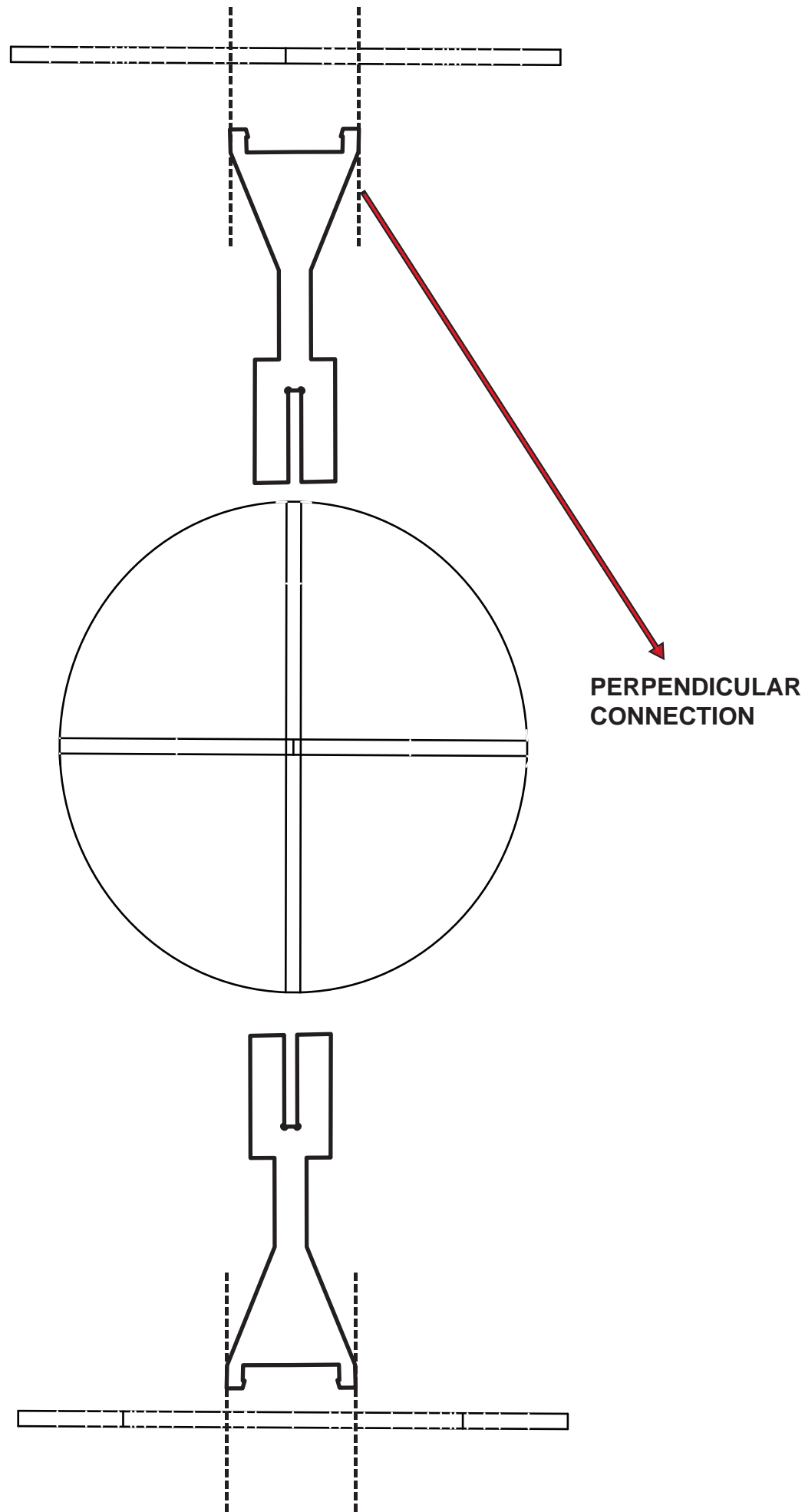


AXONOMETRIC





Luiza Fontana De Souza | glueless sphere
3690 vidich + abel





Luiza Fontana De Souza | glueless sphere
3690 vidich + abel