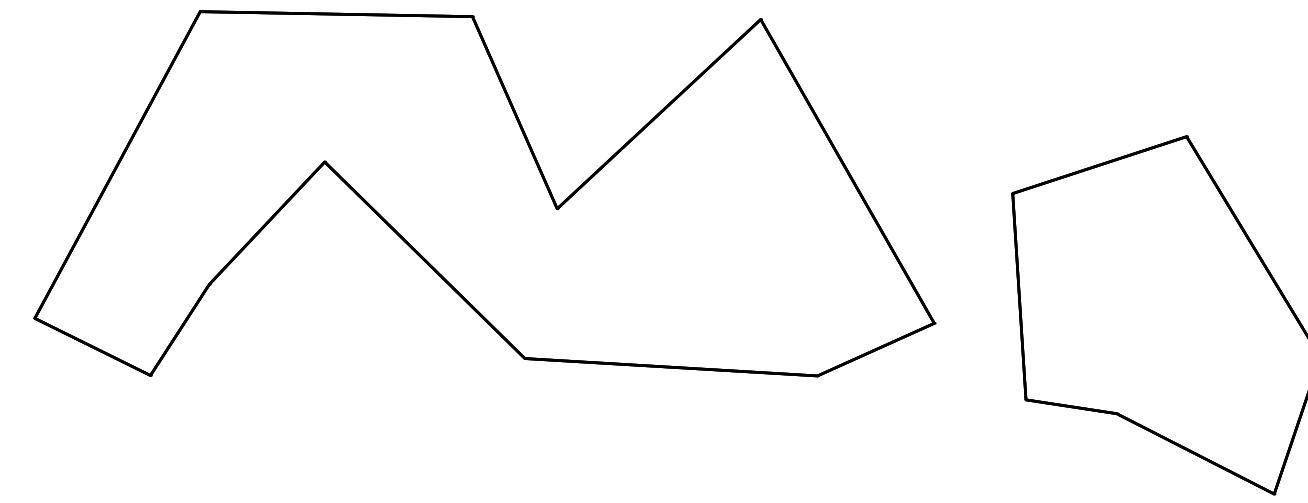


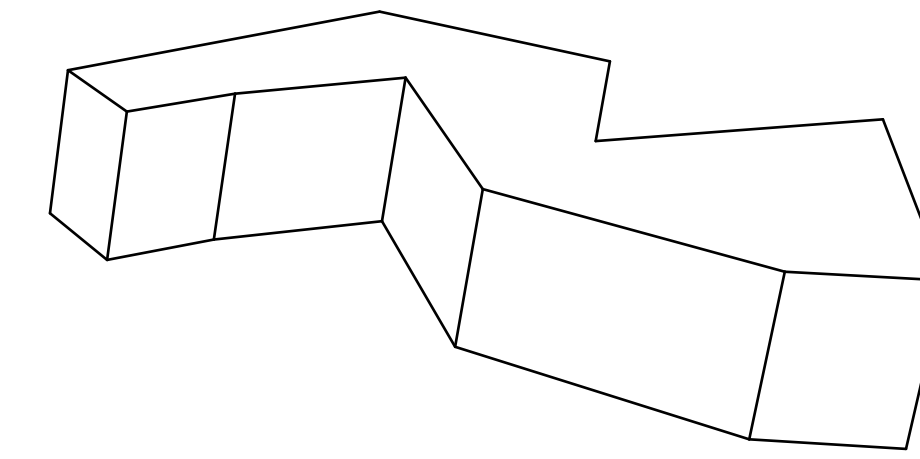
PROJECT 2 METHOD ITERATIONS

ARCH 2310

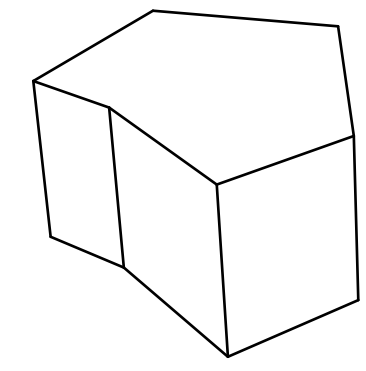
FIGURES



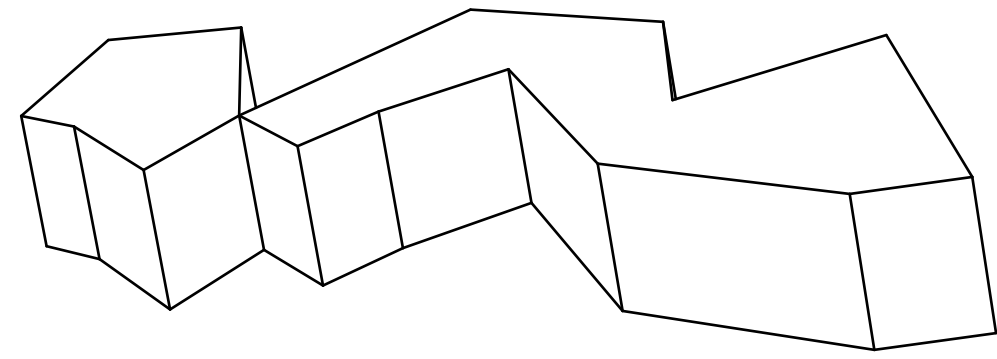
TOP



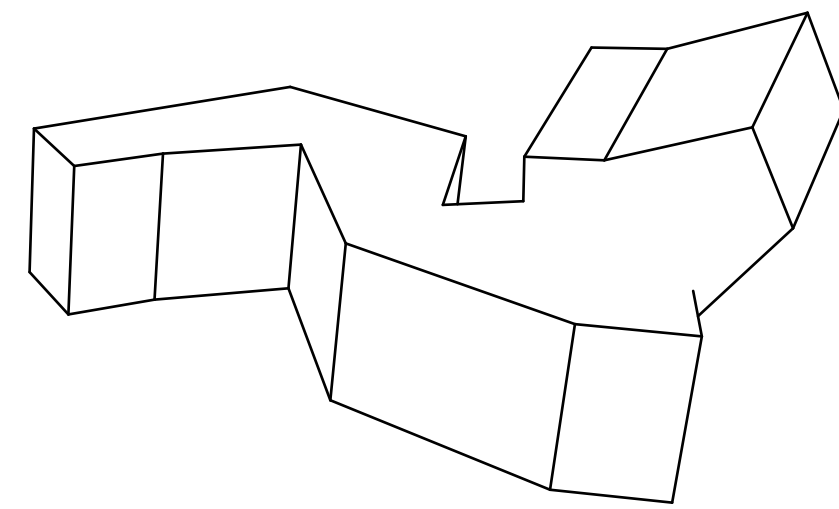
PERSPECTIVE



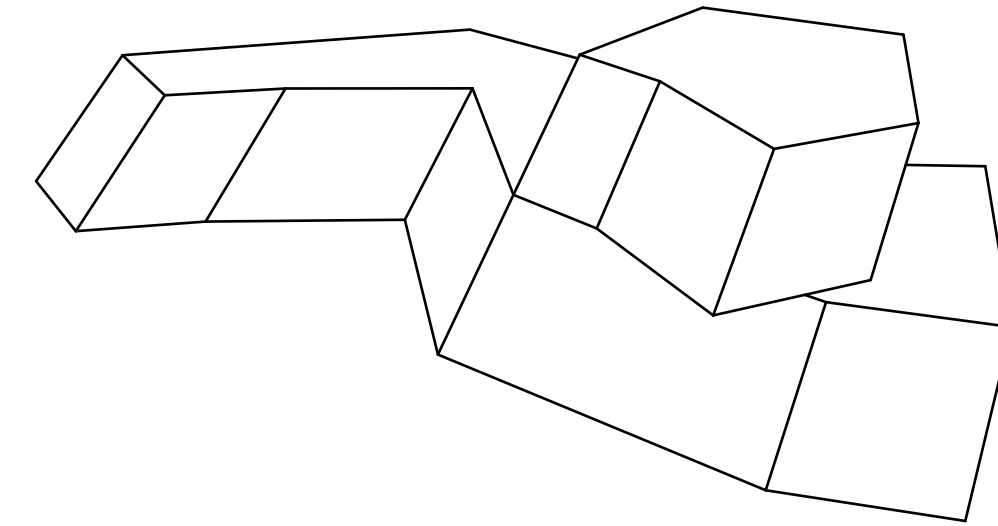
COMBINATION OF FIGURES



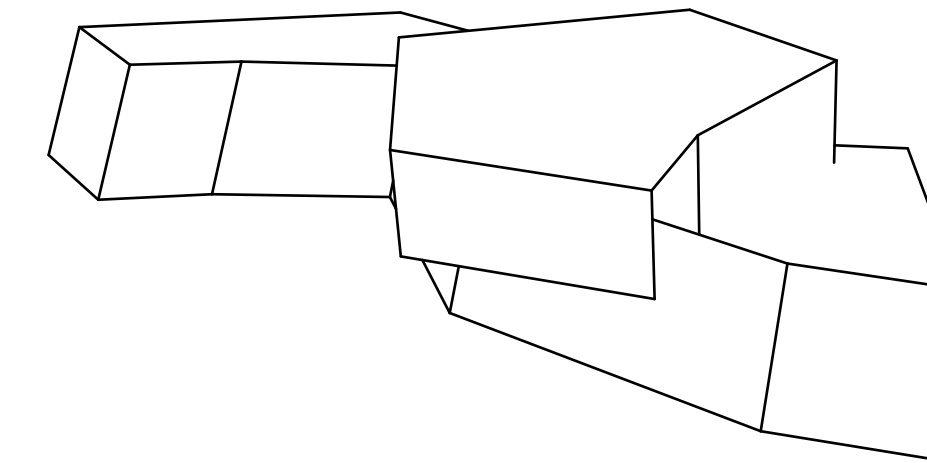
ADDITION



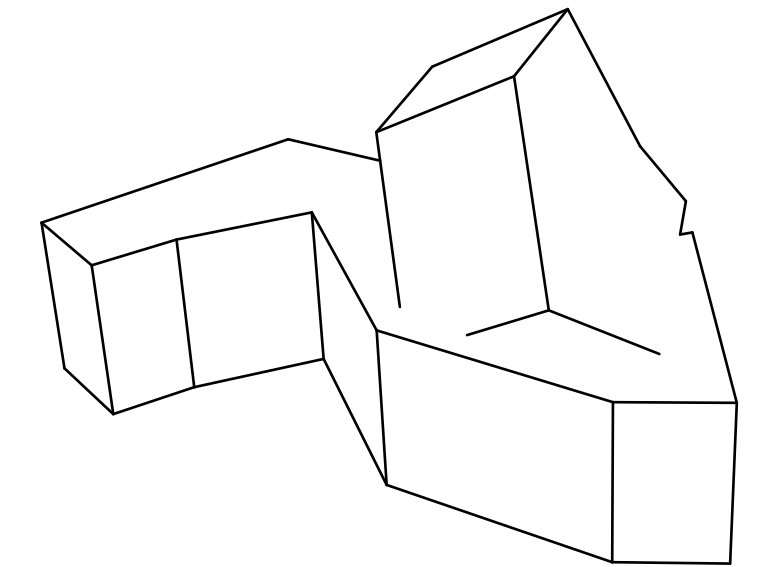
UNION



STACKING

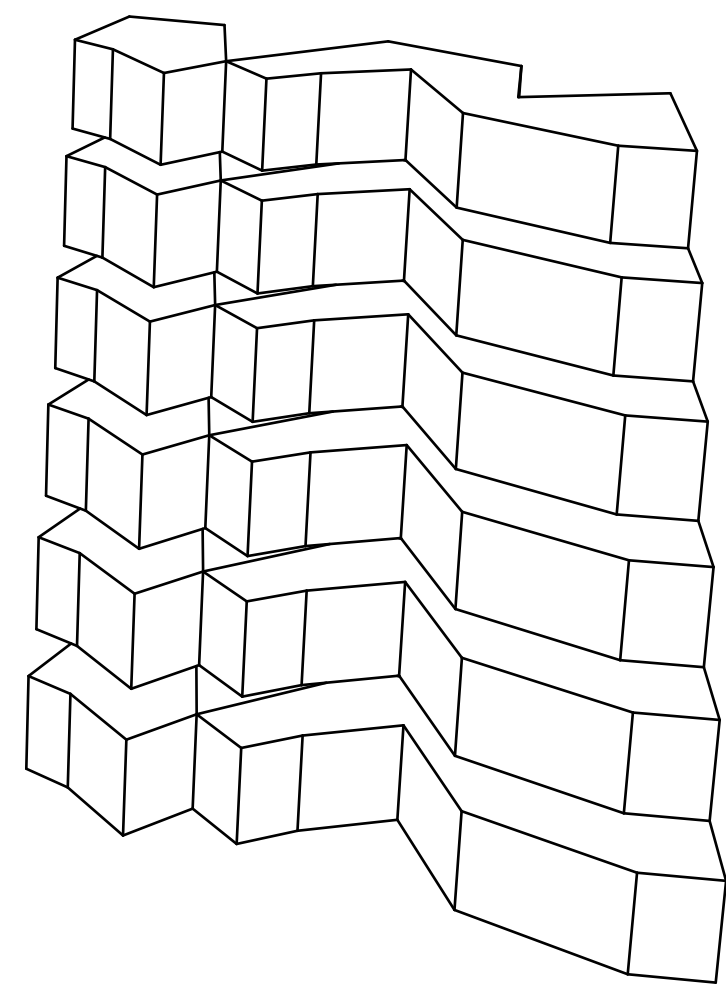


INTERSECTION

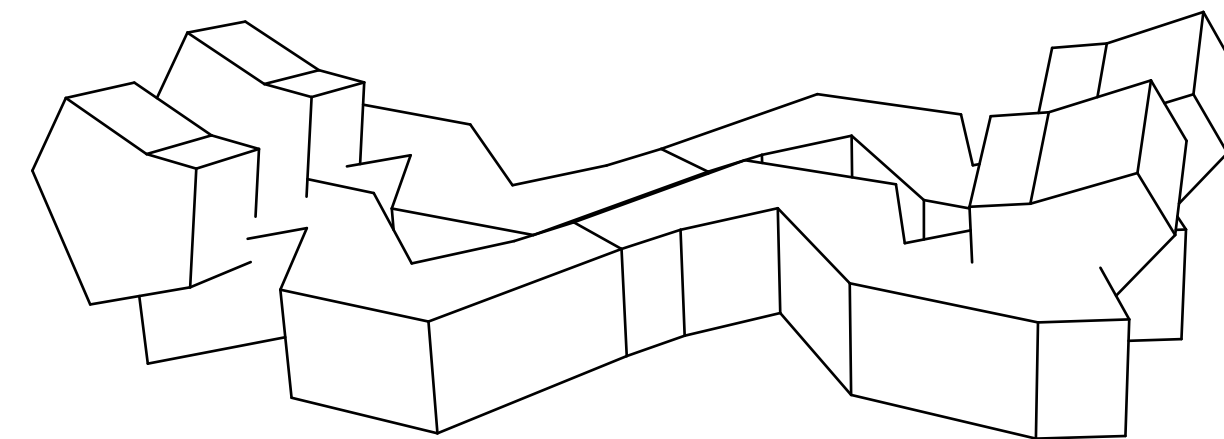


ADDITION

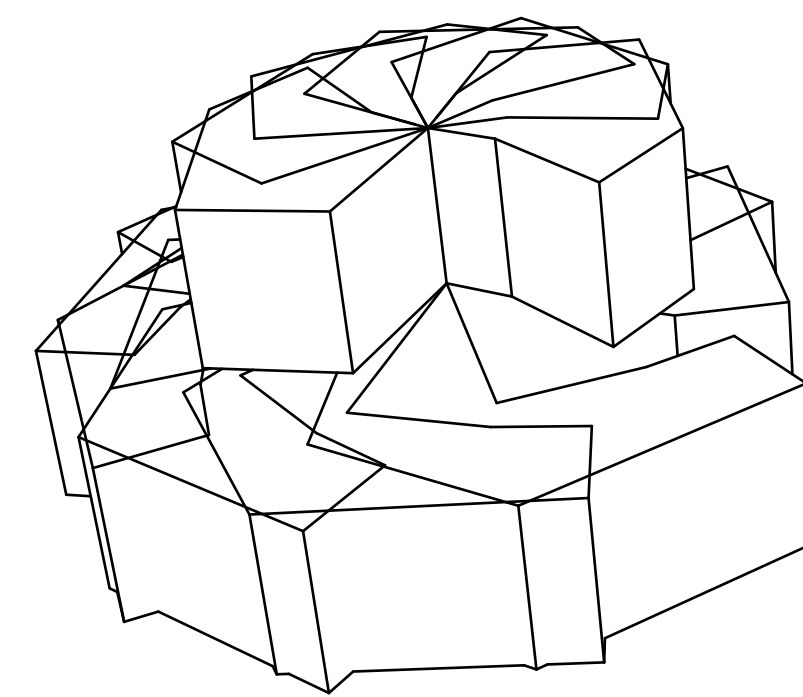
ITERATIONS



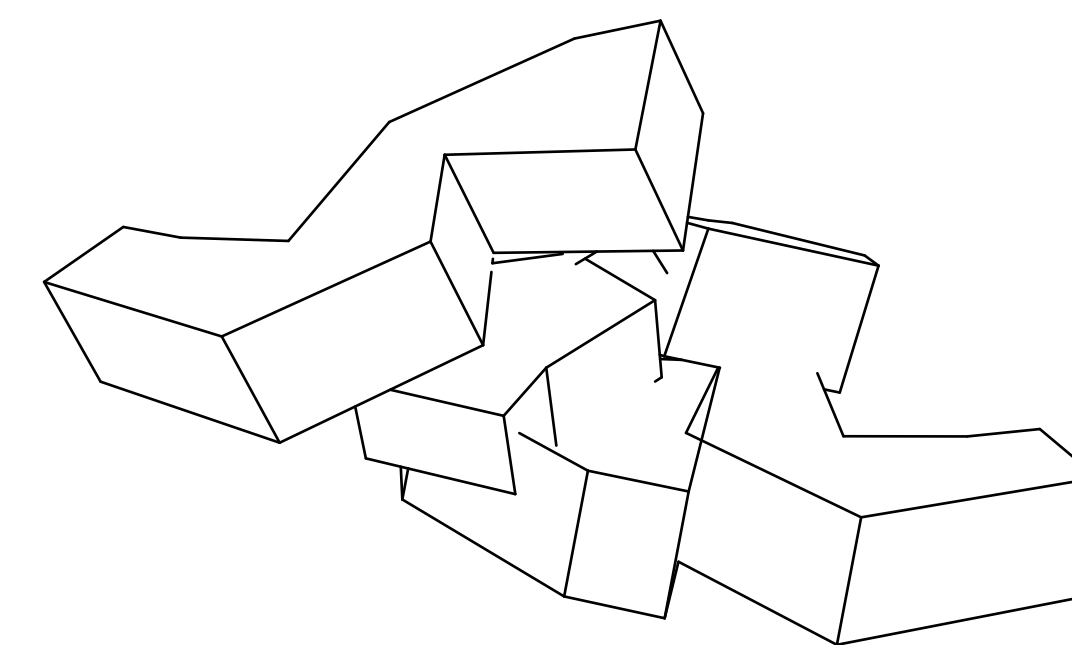
STACKING



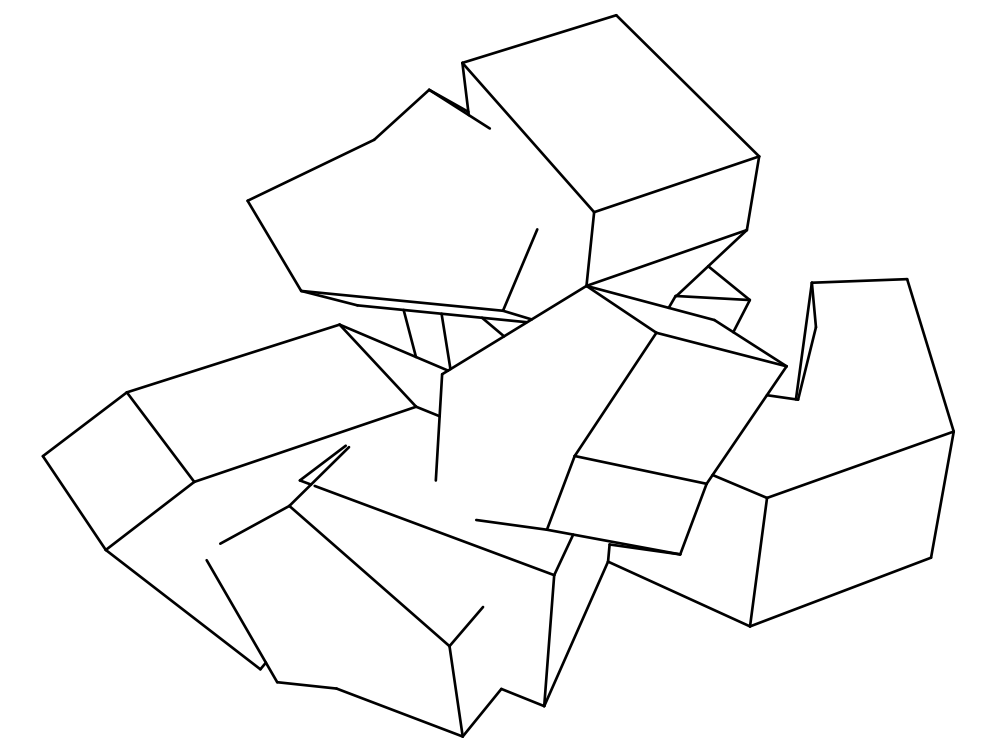
PUZZLE



ARRAY POLAR



ROTATION



OVERLAY