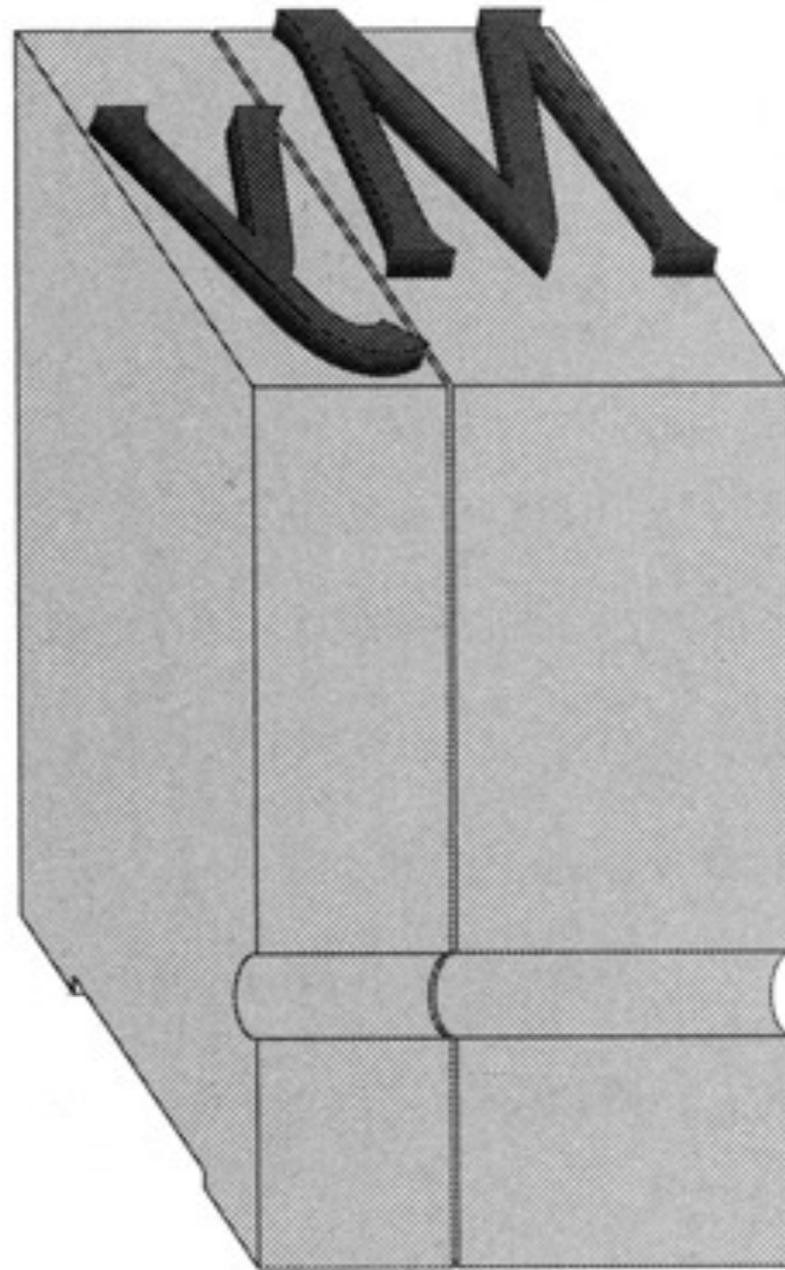
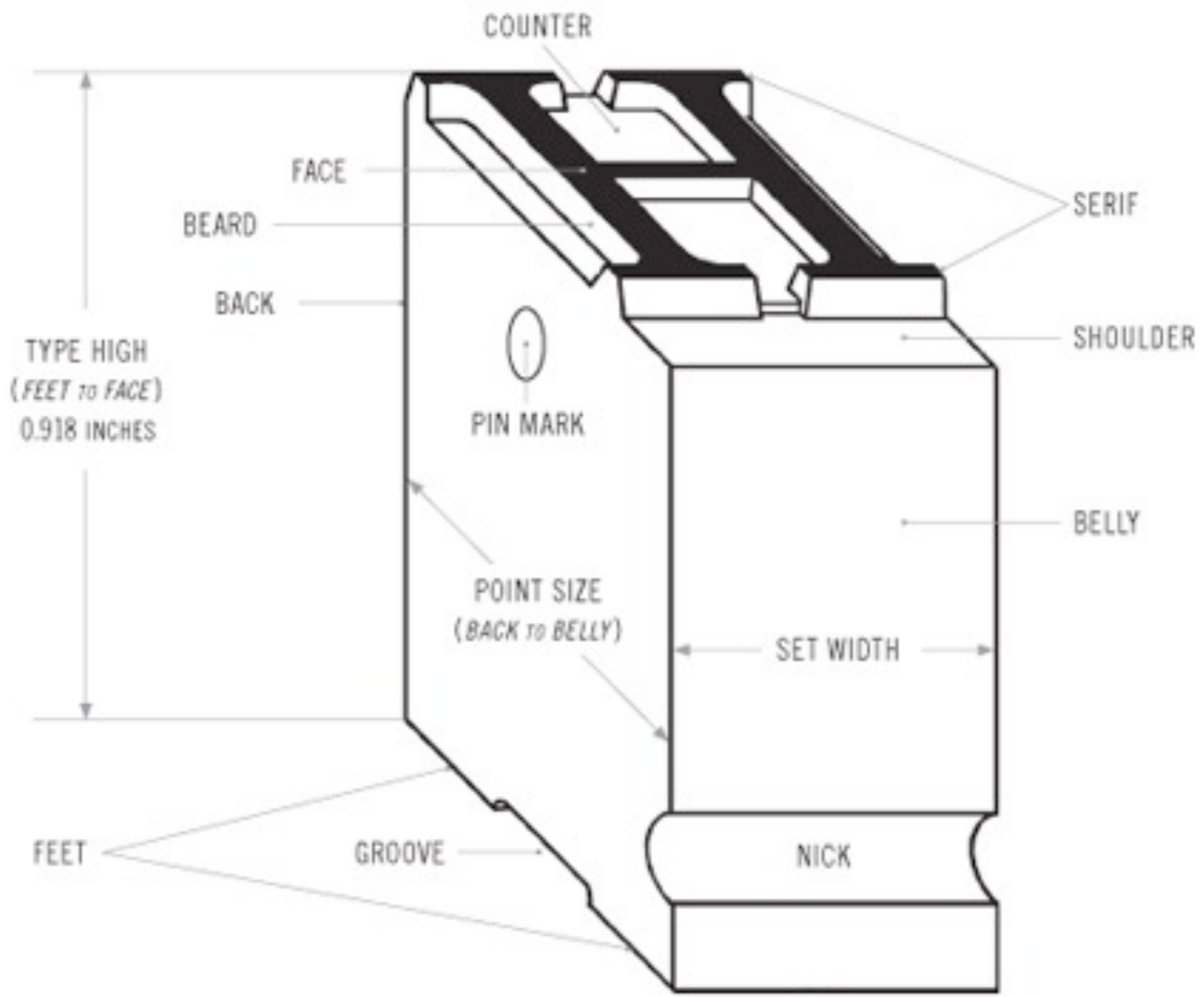


# **The Bounding Box & Its Implications**

Typography 1

# Movable Type

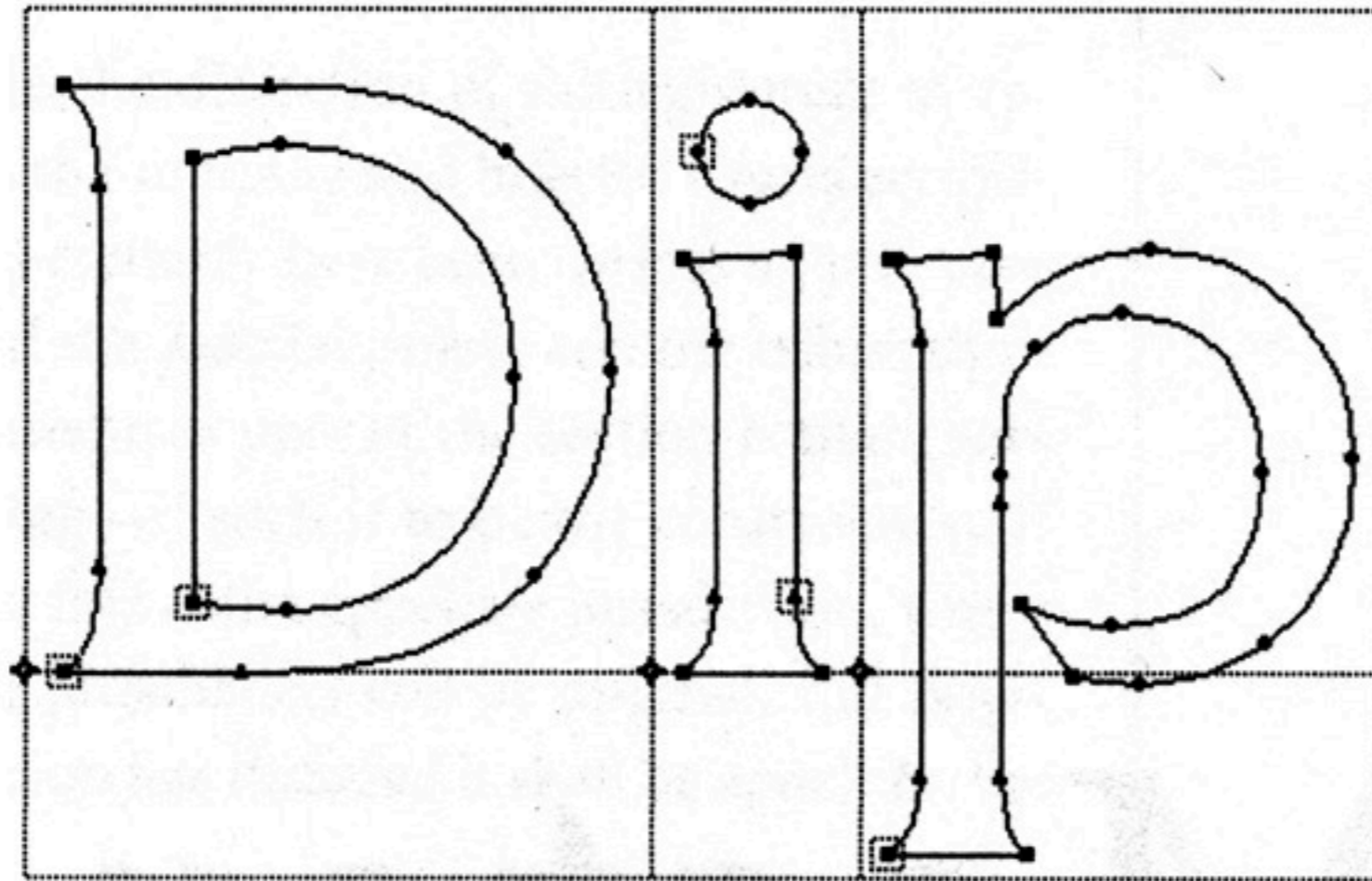




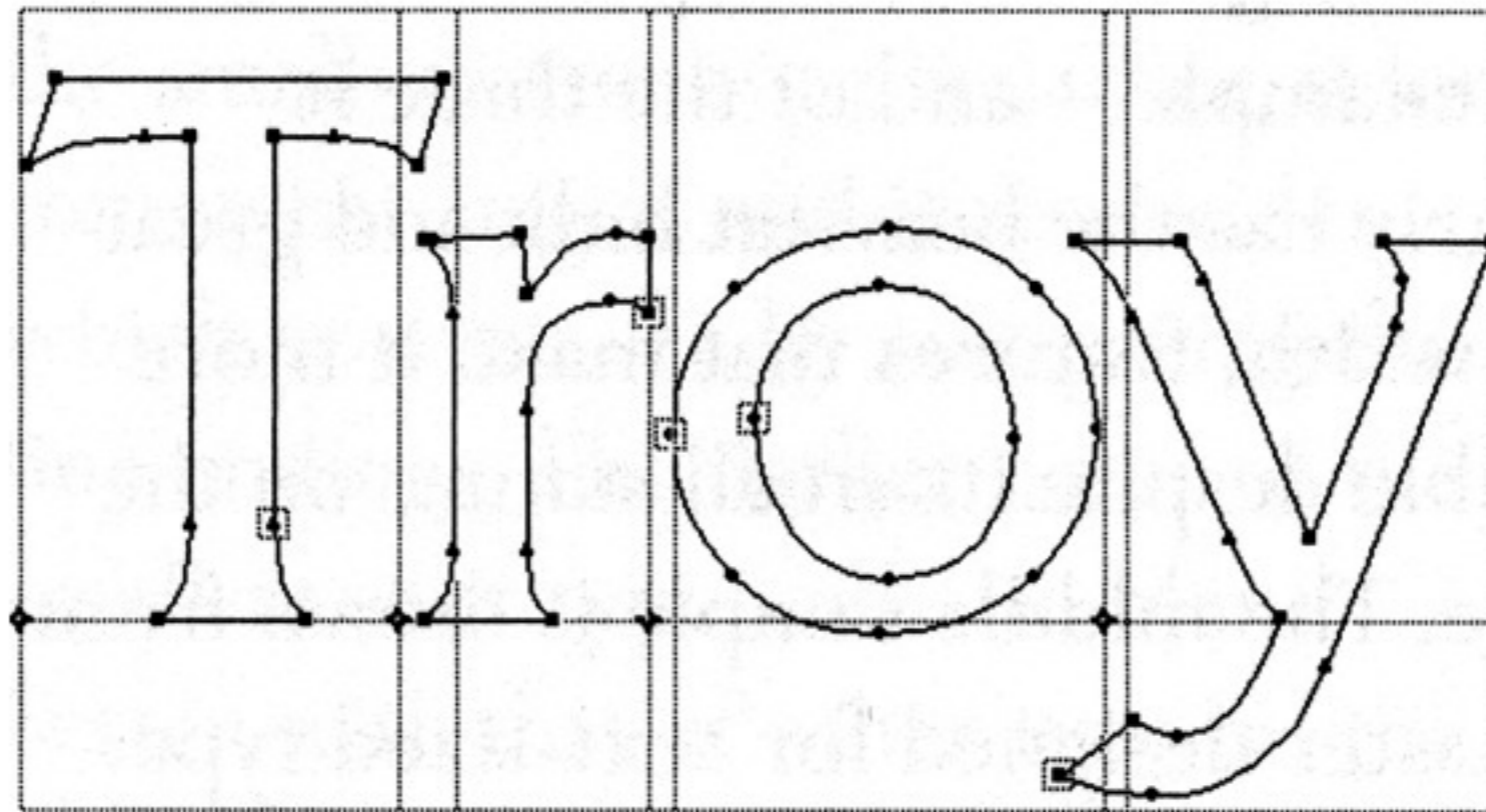


# **Digital Bounding Boxes**

In digital type, each character and symbol is seen as existing in a box whose dimensions are analogous to the surface of those old printing blocks



These bounding boxes are virtual  
and can easily be manipulated  
and overlapped as needed



The new essence of typesetting is **regulating the size of the spaces between letters, words and lines** to control the balance and rhythm between black and white achieving a graphically harmonious page.