

Consultant
Address
Phone
Fax
e-mail

Consultant
Address
Phone
Fax
e-mail

Consultant
Address
Phone
Fax
e-mail

Consultant
Address
Phone
Fax
e-mail

Consultant
Address
Phone
Fax
e-mail

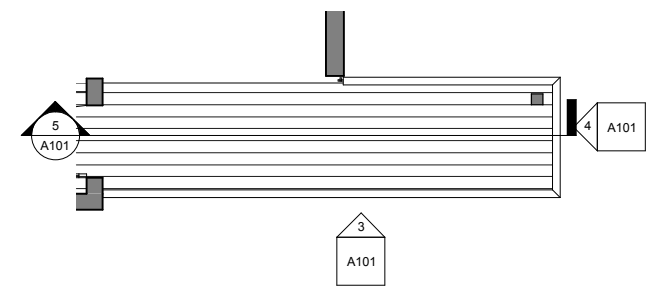
No.	Description	Date

Francis Kwok
Scavenger Hunt
Unnamed

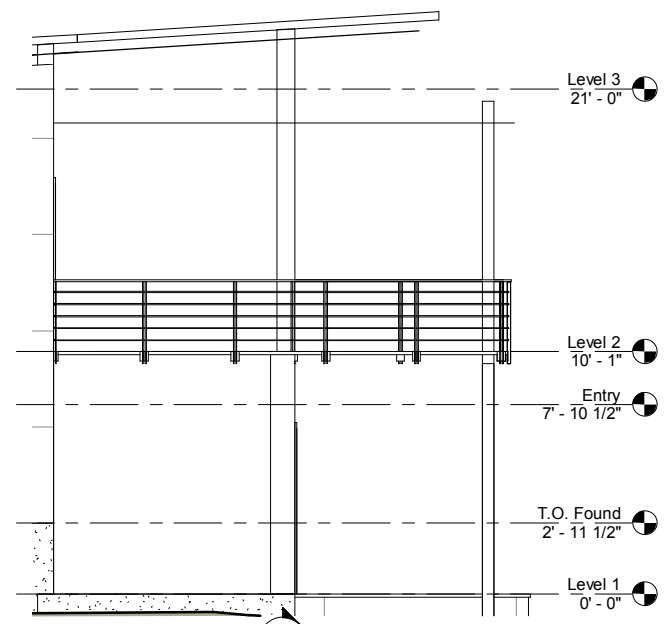
Project number Project Number
 Date 03/11/17
 Drawn by Francis Kwok
 Checked by Prof. Paul King

A101

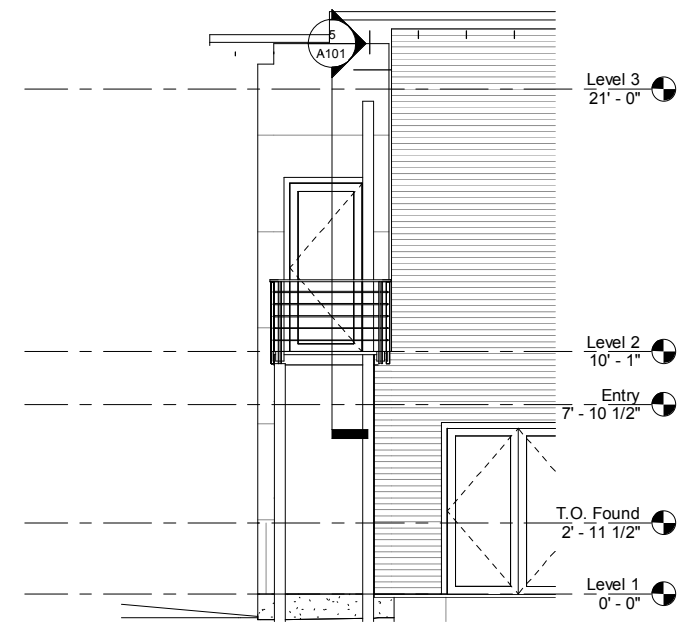
Scale As indicated



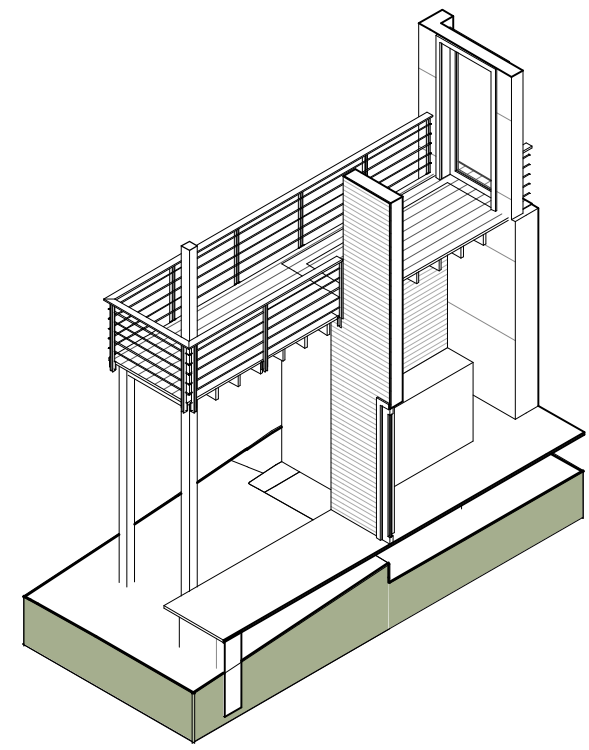
1 plan of balcony 1
1/4" = 1'-0"



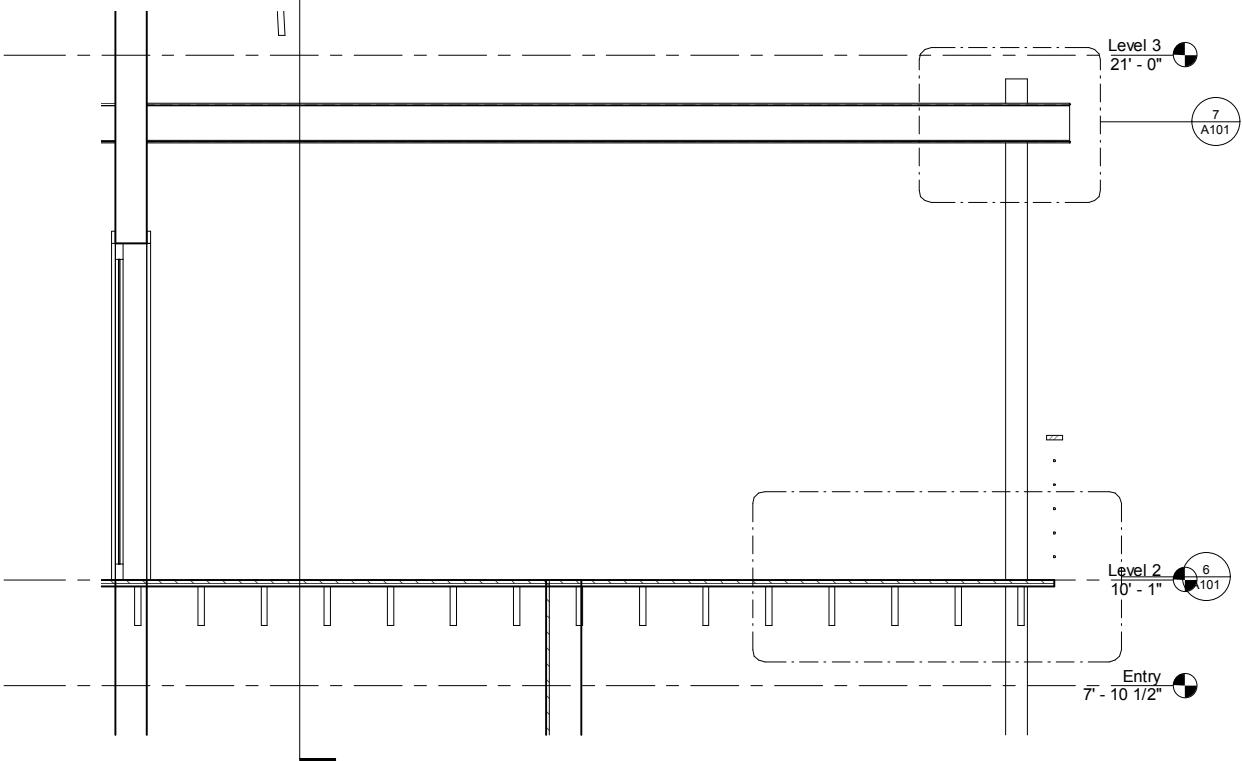
3 Elevation 2 of balcony 1
1/4" = 1'-0"



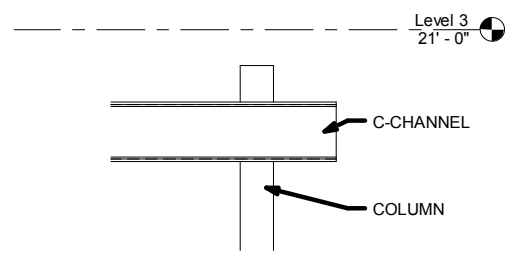
4 elevation 1 of balcony 1
1/4" = 1'-0"



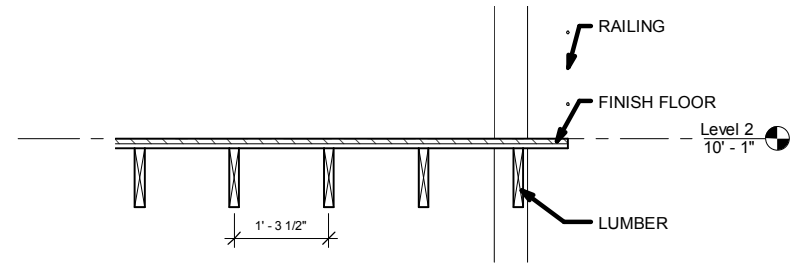
2 isometric of balcony



5 Balcony Section Detail
1/2" = 1'-0"



7 Balcony Detail 2
3/4" = 1'-0"



6 Balcony Detail 1
3/4" = 1'-0"

Consultant
Address
Phone
Fax
e-mail

Consultant
Address
Phone
Fax
e-mail

Consultant
Address
Phone
Fax
e-mail

Consultant
Address
Phone
Fax
e-mail

Consultant
Address
Phone
Fax
e-mail

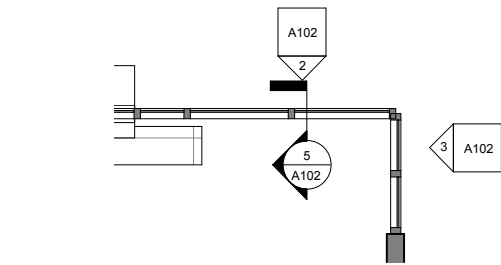
No.	Description	Date

Francis Kwok
Scavenger Hunt
Unnamed

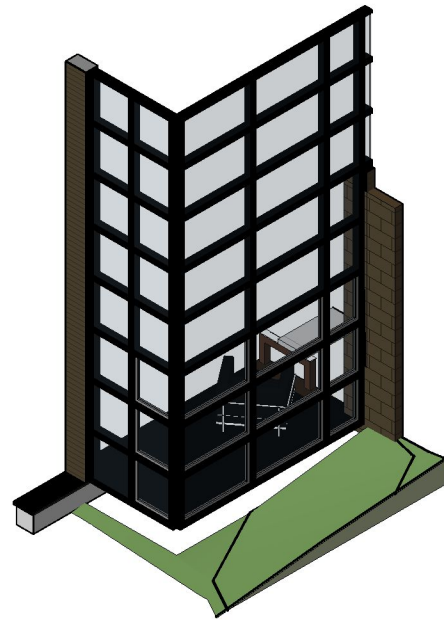
Project number Project Number
Date 03/11/17
Drawn by Francis Kwok
Checked by Prof. Paul King

A102

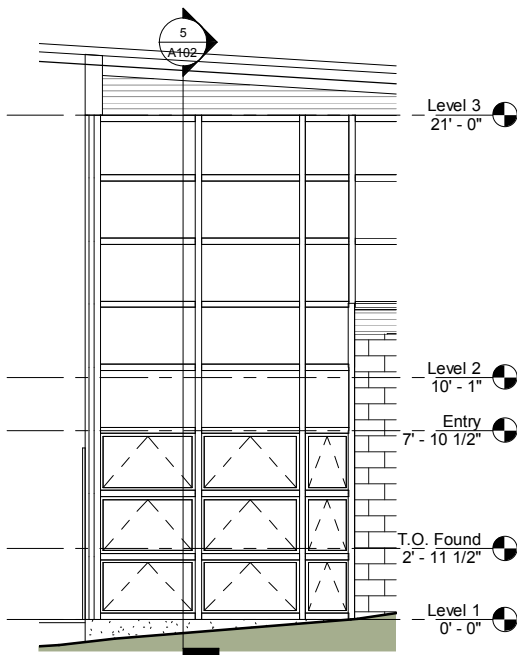
Scale As indicated



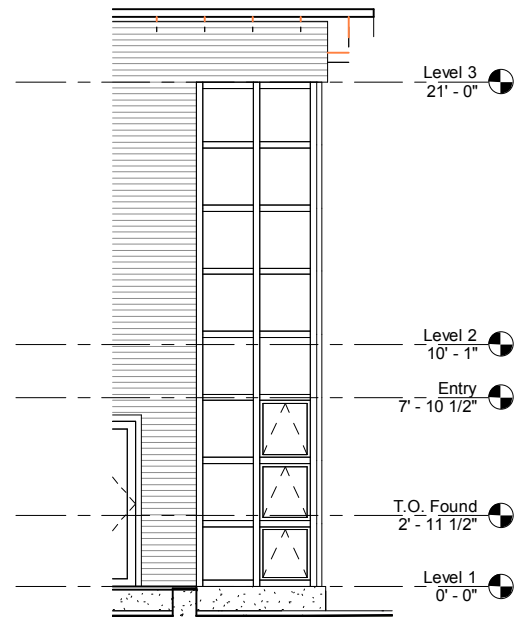
1 plan of 2 story curtain wall
1/4" = 1'-0"



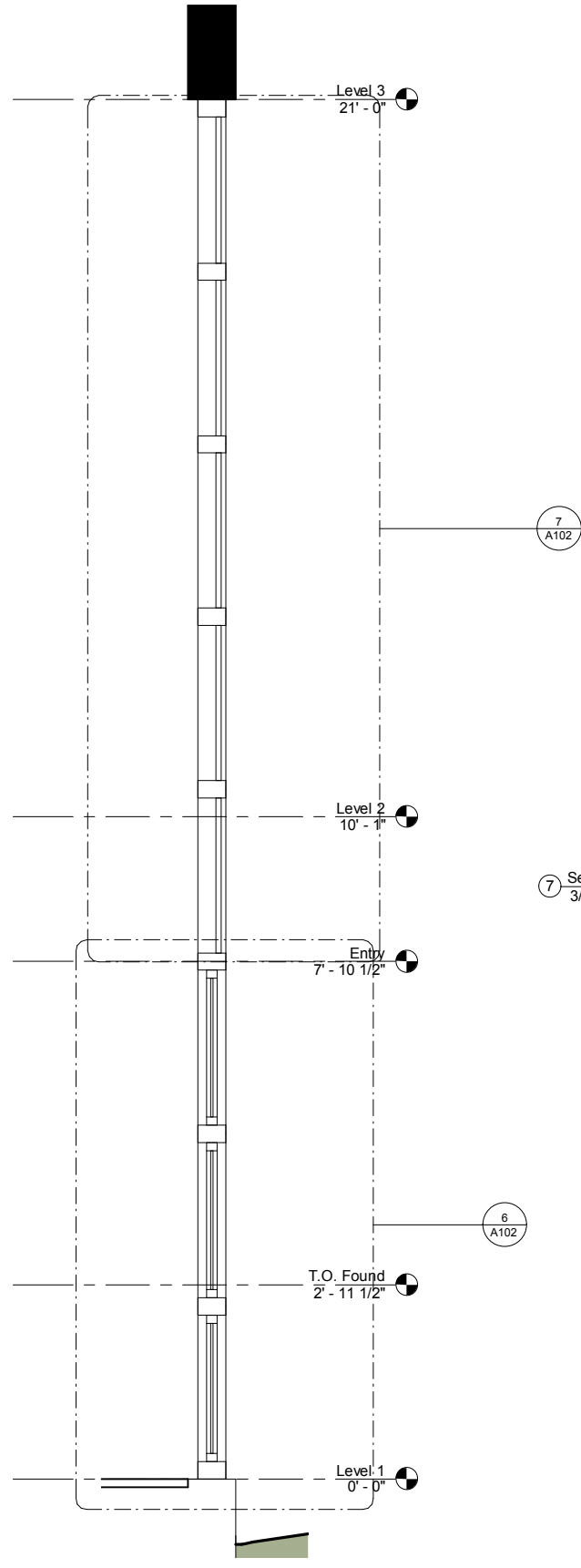
4 isometric of curtain wall



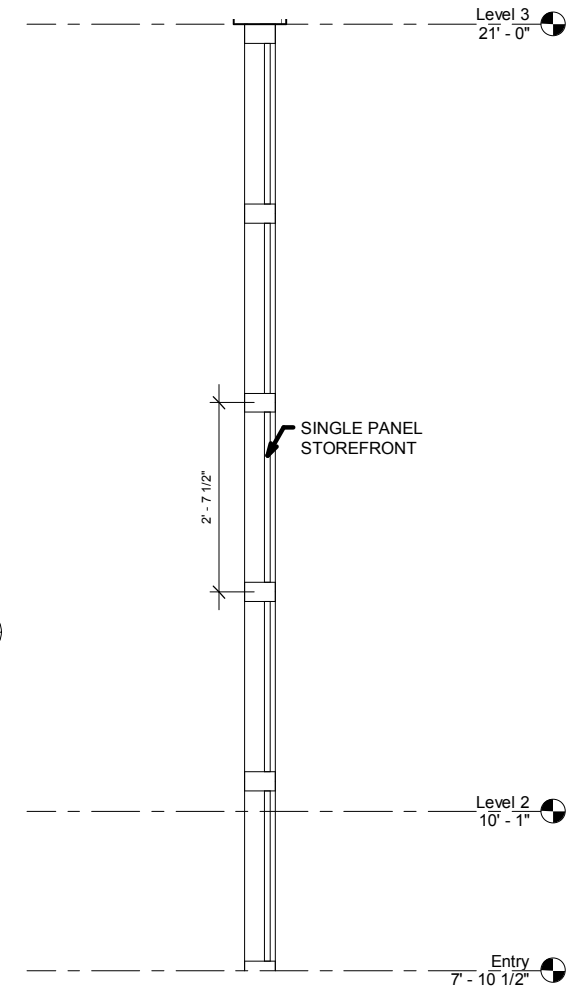
2 Elevation 1 curtain wall
1/4" = 1'-0"



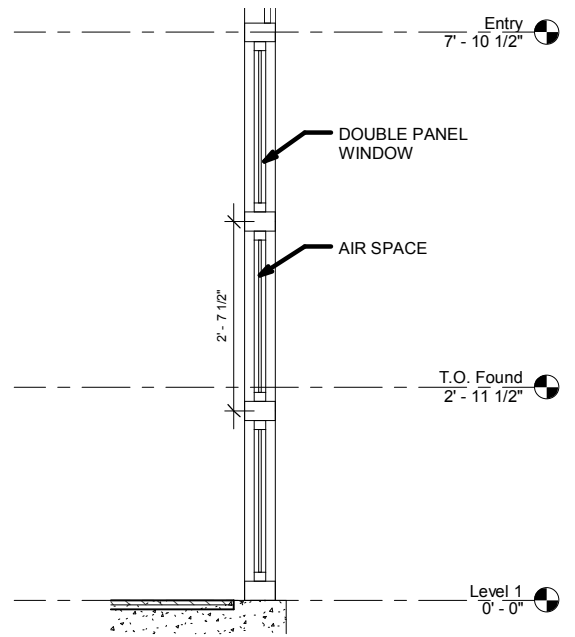
3 Elevation 2 curtain wall
1/4" = 1'-0"



5 Section 4
3/4" = 1'-0"



7 Second Floor Detail
3/4" = 1'-0"



6 First Floor Detail
3/4" = 1'-0"

Consultant
Address
Phone
Fax
e-mail

Consultant
Address
Phone
Fax
e-mail

Consultant
Address
Phone
Fax
e-mail

Consultant
Address
Phone
Fax
e-mail

Consultant
Address
Phone
Fax
e-mail

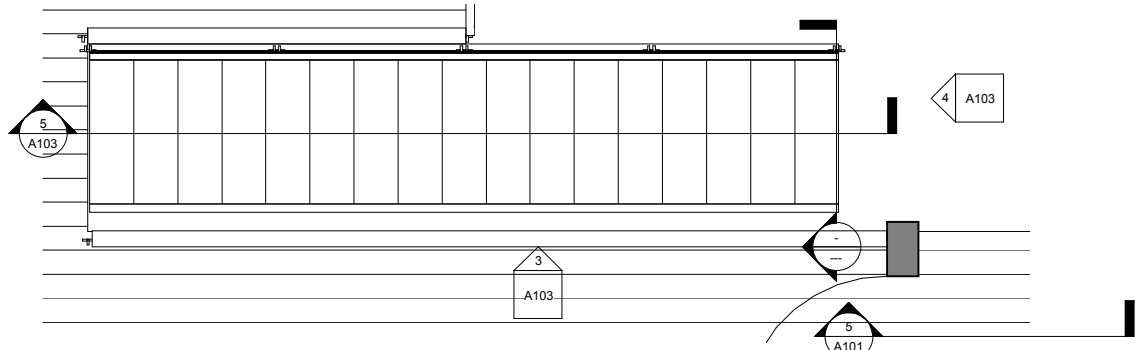
No.	Description	Date

Francis Kwok
Scavenger Hunt
Unnamed

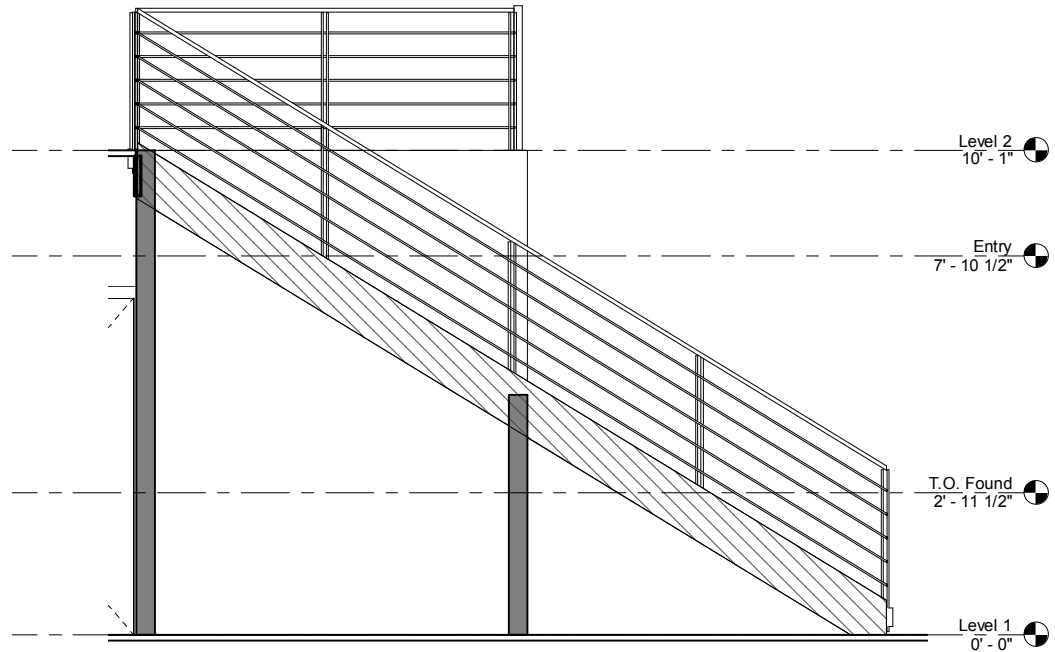
Project number	Project Number
Date	03/11/17
Drawn by	Francis Kwok
Checked by	Prof. Paul King

A103

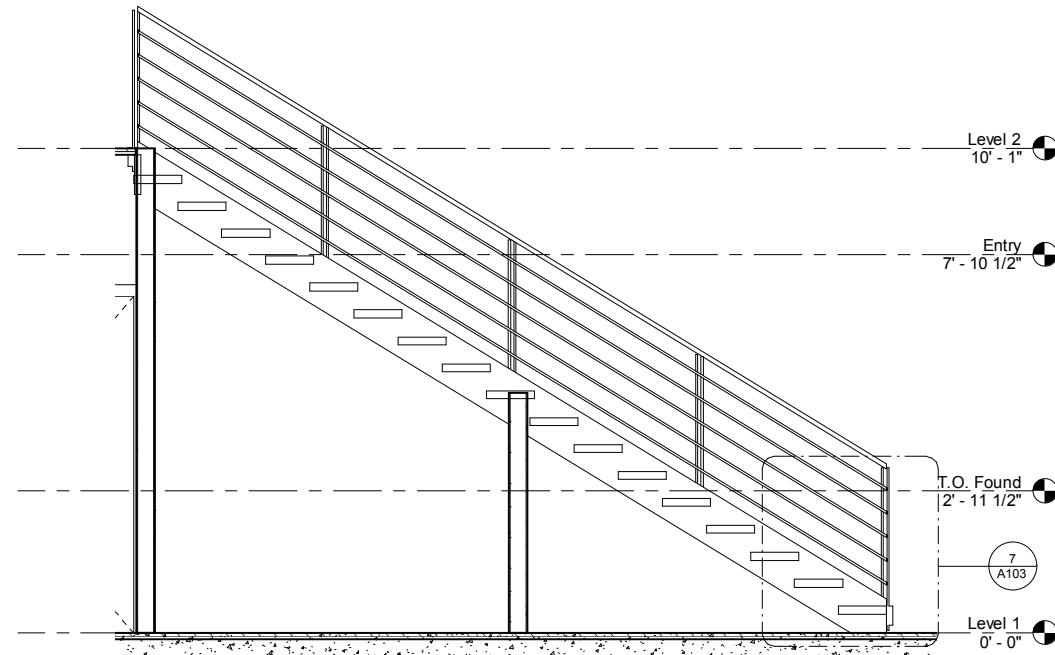
Scale As indicated



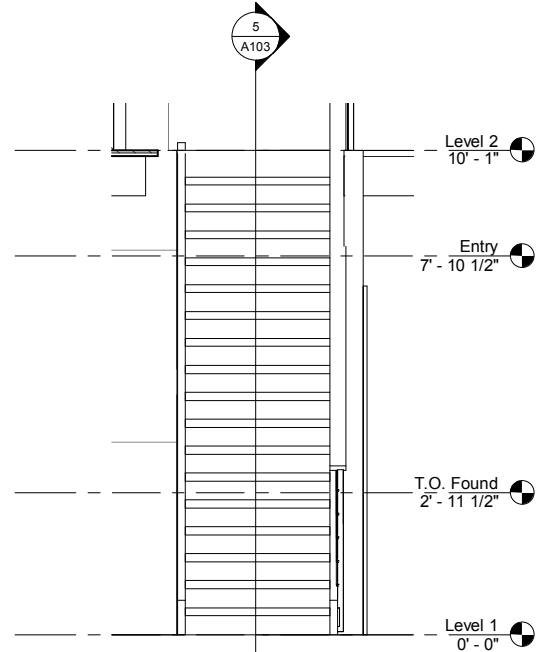
1 plan of stairs
1/2" = 1'-0"



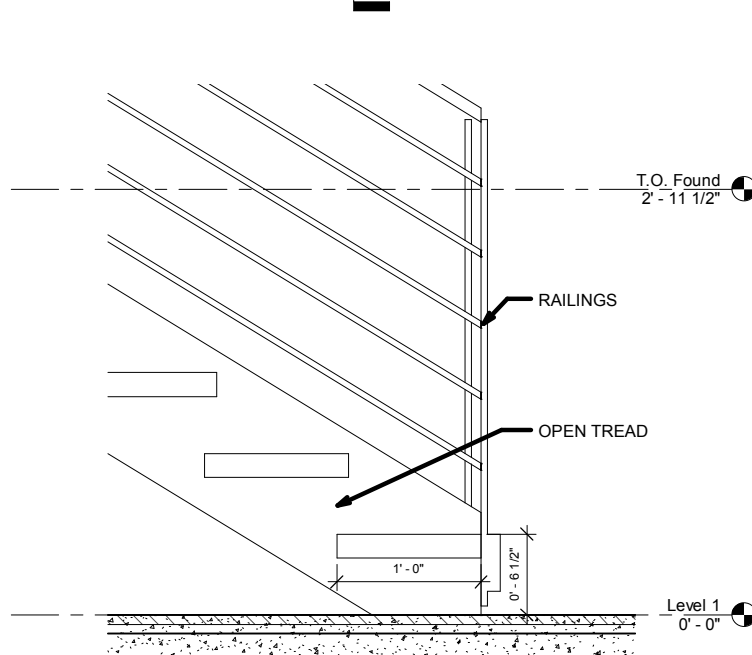
3 Elevation 1 of stairs
1/2" = 1'-0"



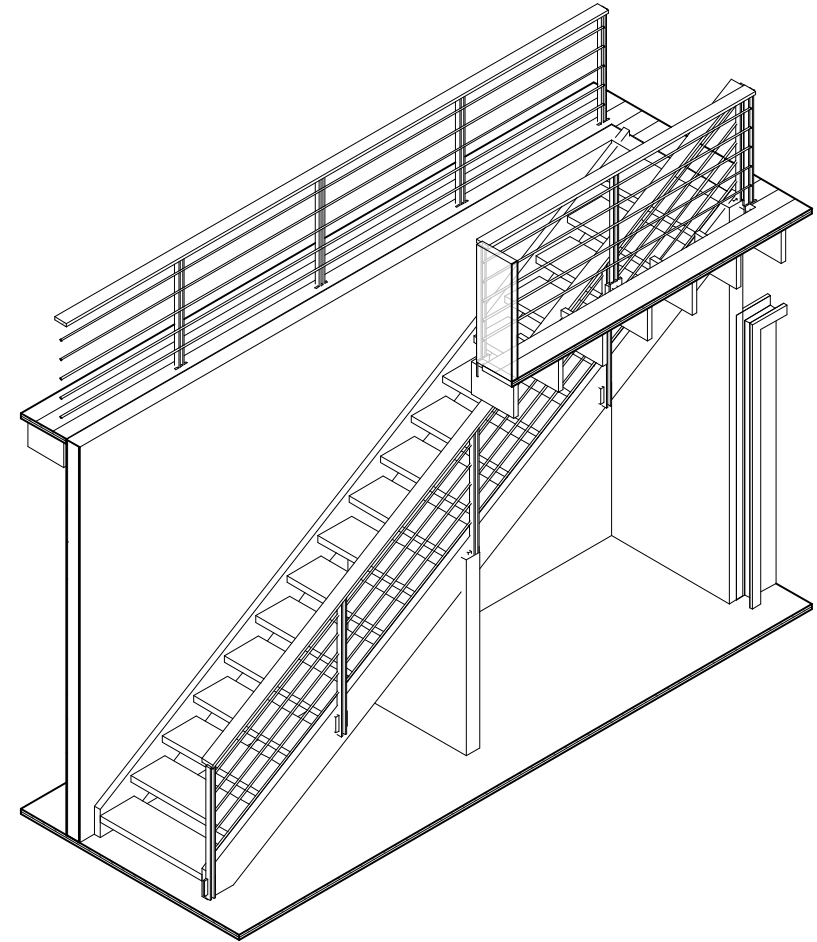
5 Section Detail
1/2" = 1'-0"



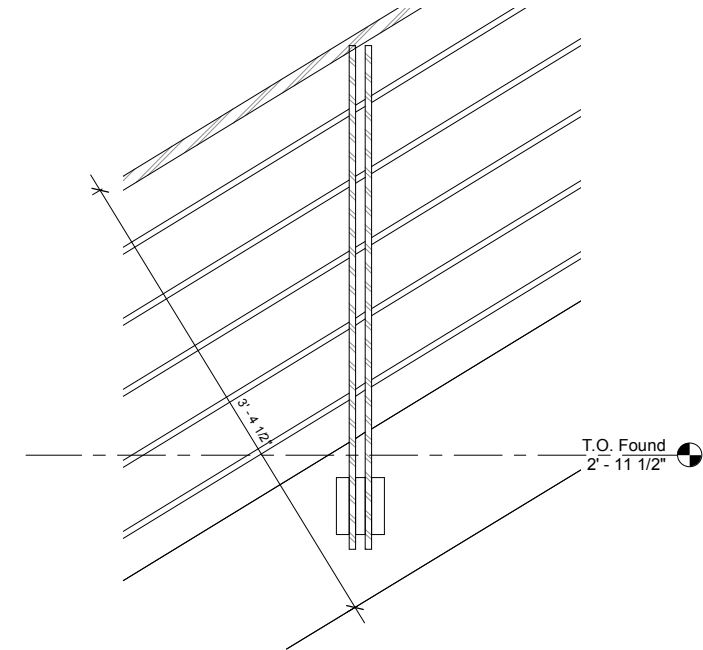
4 Elevation 2 of stairs
1/2" = 1'-0"



7 Stairs Detail 1
1 1/2" = 1'-0"



2 isometric of stairs



6 Stairs Detail 2
1 1/2" = 1'-0"