

Consultant
Address
Phone
Fax
e-mail

Consultant
Address
Phone
Fax
e-mail

Consultant
Address
Phone
Fax
e-mail

Consultant
Address
Phone
Fax
e-mail

Consultant
Address
Phone
Fax
e-mail

No.	Description	Date

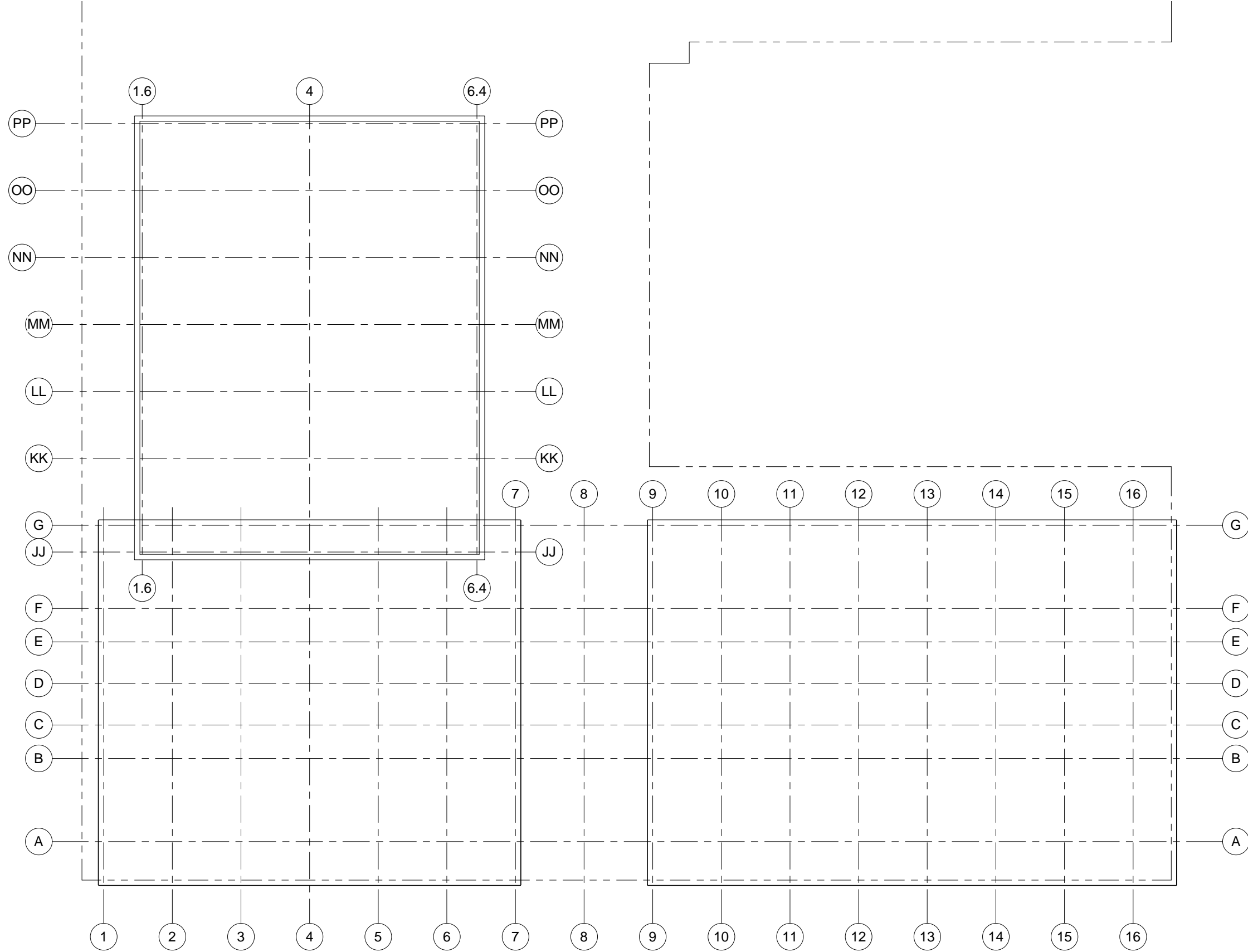
New York City College
of Technology

**1ST FLOOR -
COMPOSITE**

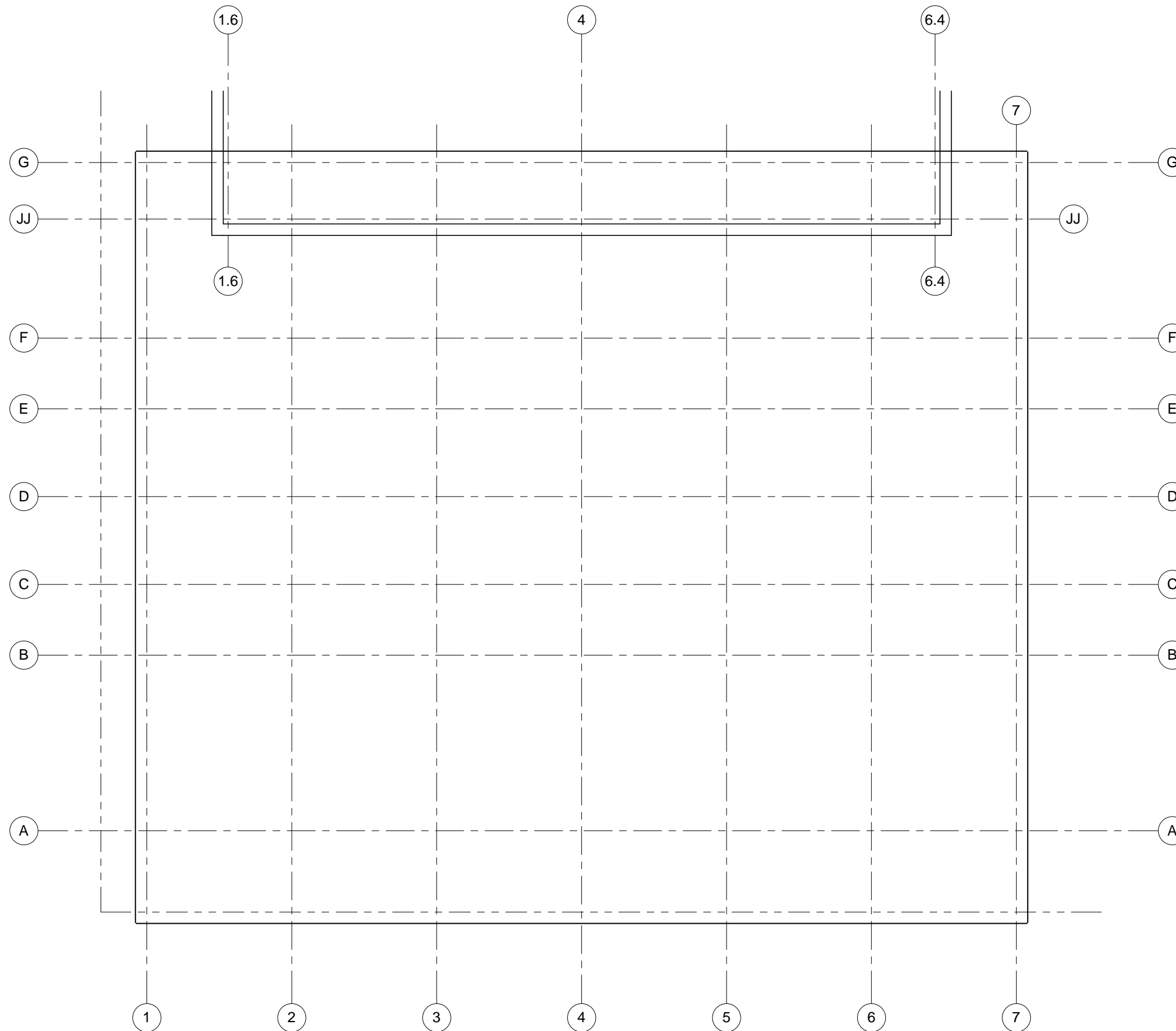
Project number	Project Number
Date	10-21-2014
Drawn by	Michelle Yang
Checked by	Prof.King

A101

Scale 1/16" = 1'-0"



① Level 1
1/16" = 1'-0"



Consultant
Address
Address
Phone
Phone
Fax
Fax
e-mail

Consultant
Address
Address
Phone
Phone
Fax
Fax
e-mail

Consultant
Address
Address
Phone
Phone
Fax
Fax
e-mail

Consultant
Address
Address
Phone
Phone
Fax
Fax
e-mail

No.	Description	Date

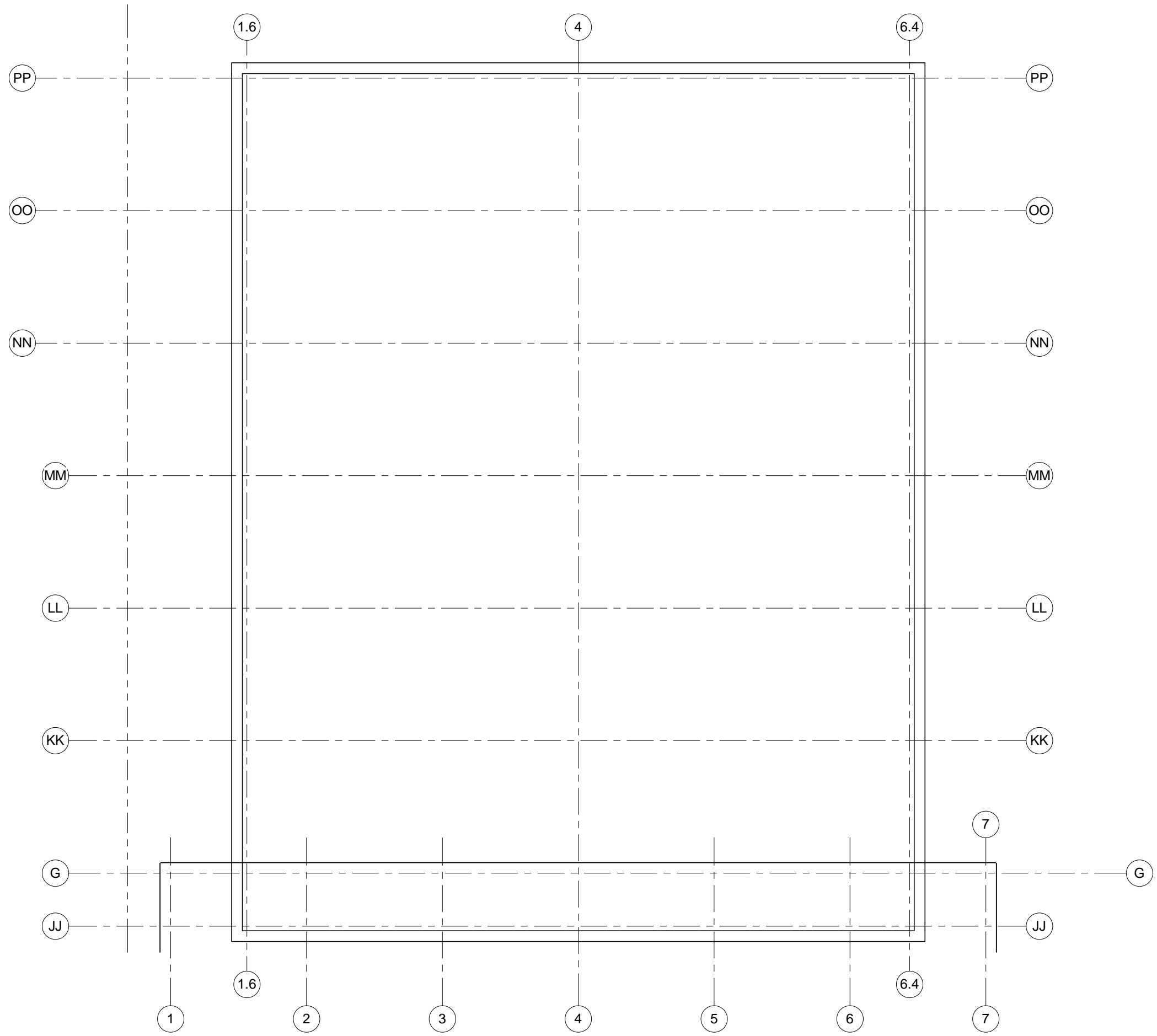
New York City College of Technology

1ST FLOOR - ATRIUM

Project number	Project Number
Date	10-21-2014
Drawn by	MICHELLE YANG
Checked by	Prof. KING
<h1>A102</h1>	
Scale	1/8" = 1'-0"

① Level 1 ATRIUM
1/8" = 1'-0"

10/23/2014 5:25:53 PM



① Level 1 GYM
1/8" = 1'-0"



www.autodesk.com/revit

Consultant
Address
Phone
Fax
e-mail

Consultant
Address
Phone
Fax
e-mail

Consultant
Address
Phone
Fax
e-mail

Consultant
Address
Phone
Fax
e-mail

Consultant
Address
Phone
Fax
e-mail

No.	Description	Date

New York City College
of Technology

1ST FLOOR GYM

Project number	Project Number
Date	10-21-2014
Drawn by	MICHELLE YANG
Checked by	Prof. KING

A103
Scale 1/8" = 1'-0"

Consultant
Address
Phone
Fax
e-mail

Consultant
Address
Phone
Fax
e-mail

Consultant
Address
Phone
Fax
e-mail

Consultant
Address
Phone
Fax
e-mail

Consultant
Address
Phone
Fax
e-mail

No.	Description	Date

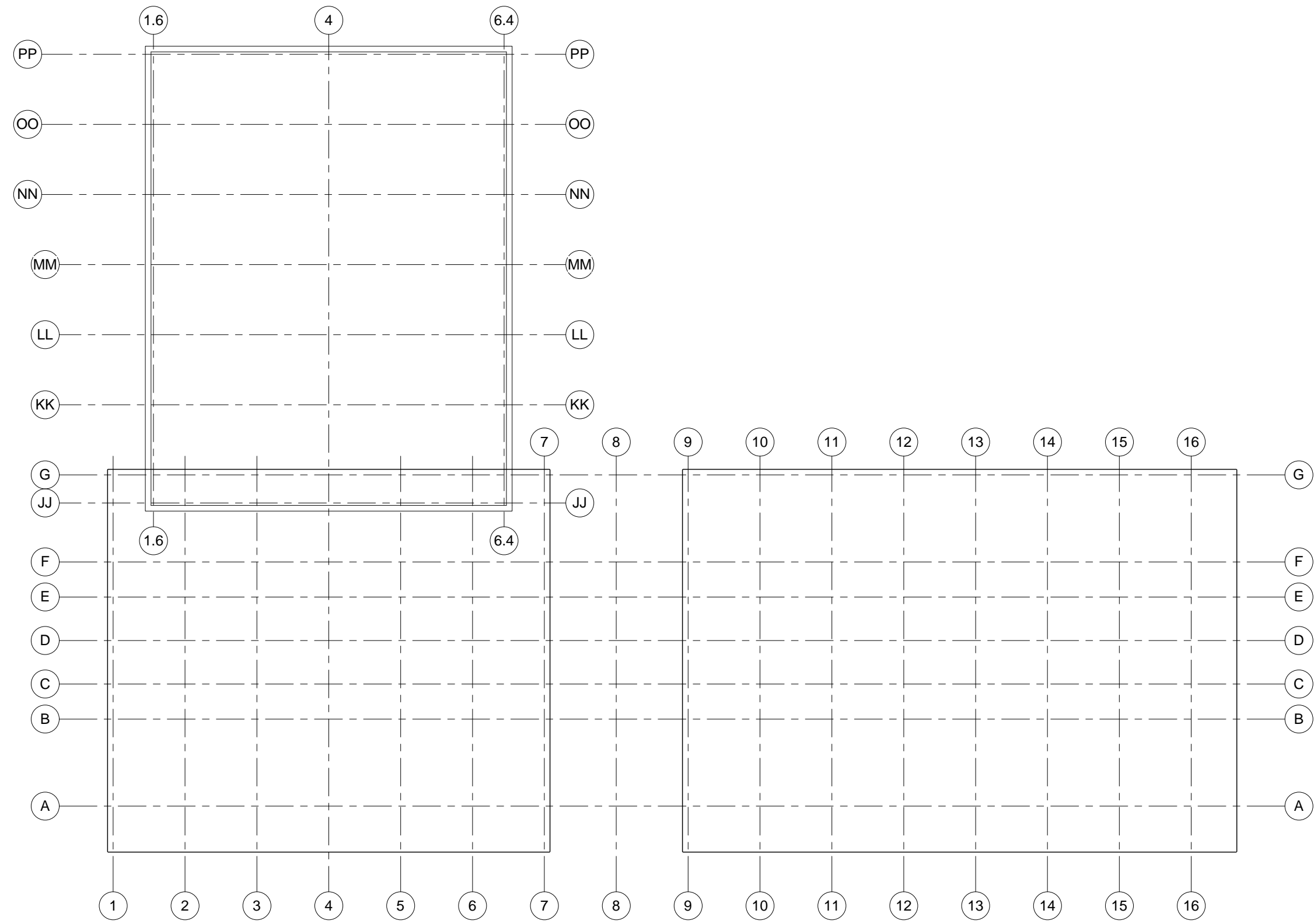
New York City College
of Technology

**2ND FLOOR -
COMPOSITE**

Project number	Project Number
Date	10-21-2014
Drawn by	MICHELLE YANG
Checked by	Prof. KING

A104

Scale 1/16" = 1'-0"



① Level 2
1/16" = 1'-0"

- Consultant
Address
Phone
Fax
e-mail
- Consultant
Address
Phone
Fax
e-mail
- Consultant
Address
Phone
Fax
e-mail
- Consultant
Address
Phone
Fax
e-mail

No.	Description	Date

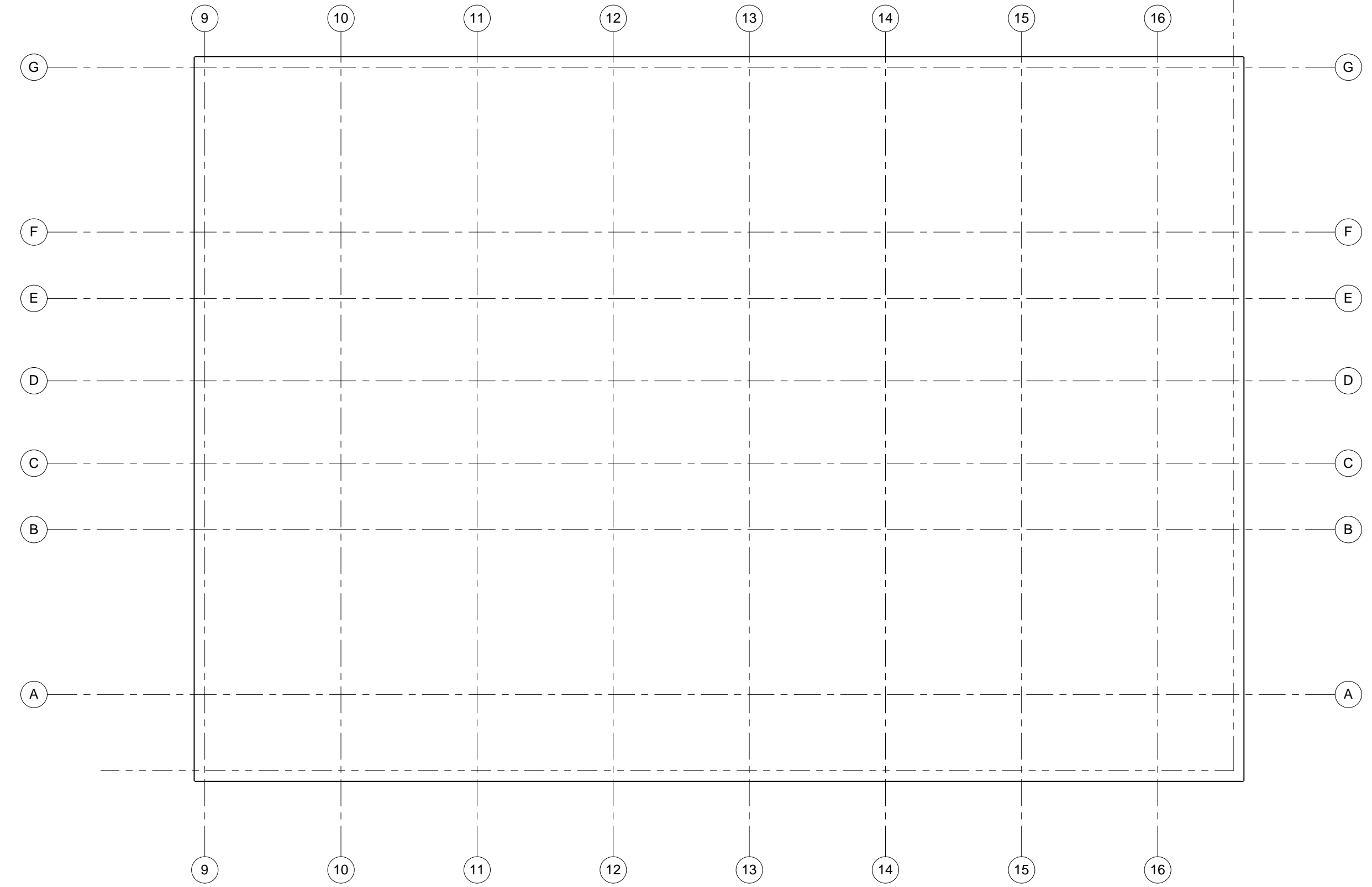
**New York City College
of Technology**

3RD FLOOR LAB

Project number	Project Number
Date	10-21-2014
Drawn by	MICHELLE YANG
Checked by	Prof. KING

A105

Scale: 1/8" = 1'-0"



① Level 3 LAB
1/8" = 1'-0"



www.autodesk.com/revit

Consultant
Address
Phone
Fax
e-mail

Consultant
Address
Phone
Fax
e-mail

Consultant
Address
Phone
Fax
e-mail

Consultant
Address
Phone
Fax
e-mail

Consultant
Address
Phone
Fax
e-mail

No.	Description	Date

New York City College
of Technology

4TH FLOOR LAB

Project number Project Number

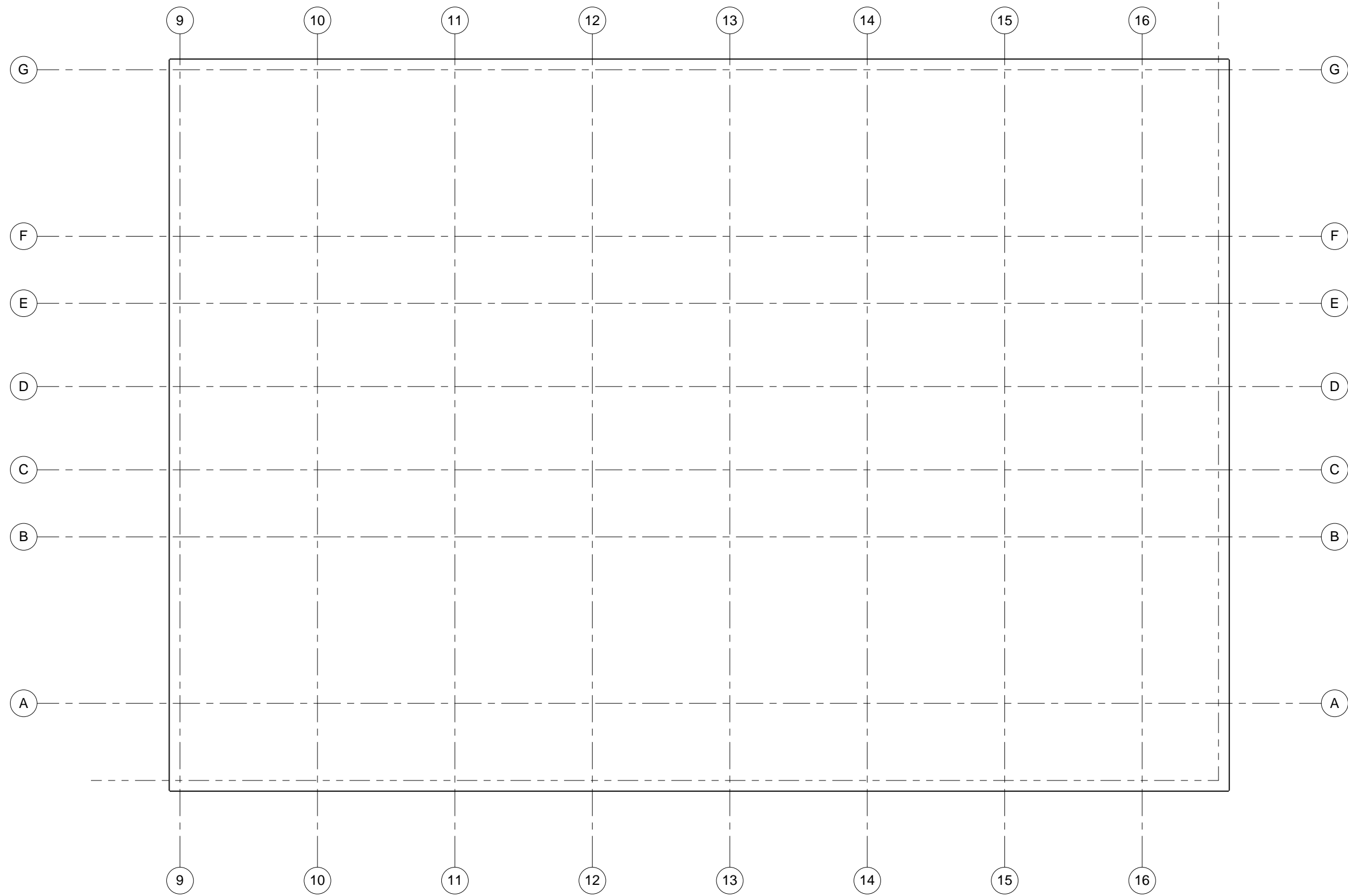
Date 10-21-2014

Drawn by MICHELLE YANG

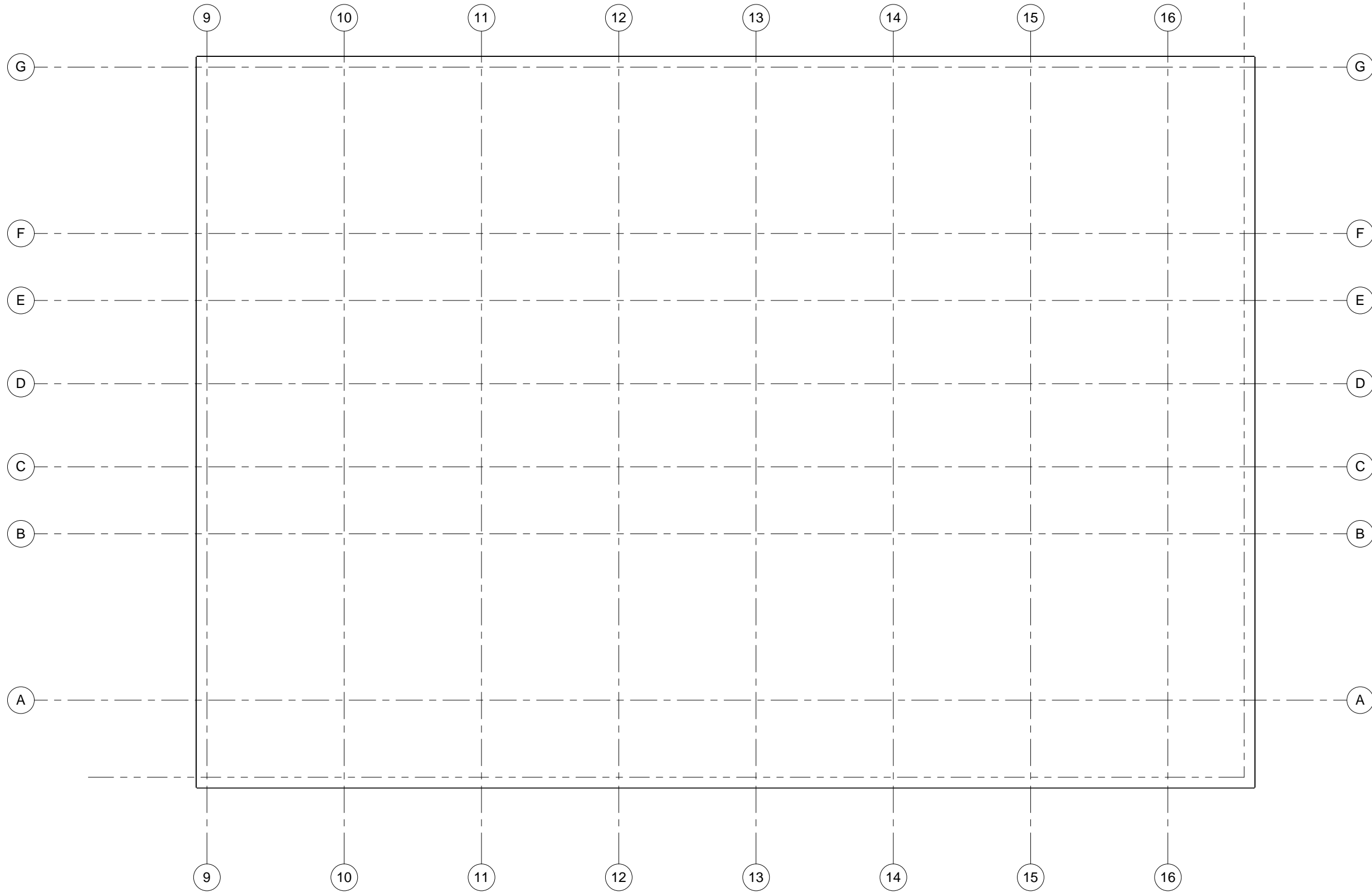
Checked by Prof. KING

A106

Scale 1/8" = 1'-0"



1 Level 4 LAB
1/8" = 1'-0"



Consultant
Address
Phone
Fax
e-mail

Consultant
Address
Phone
Fax
e-mail

Consultant
Address
Phone
Fax
e-mail

Consultant
Address
Phone
Fax
e-mail

Consultant
Address
Phone
Fax
e-mail

No.	Description	Date

New York City College
of Technology

6TH FLOOR LAB

Project number	Project Number
Date	10-21-2014
Drawn by	MICHELLE YANG
Checked by	Prof. KING

A108

Scale 1/8" = 1'-0"

1 Level 6 LAB
1/8" = 1'-0"

