

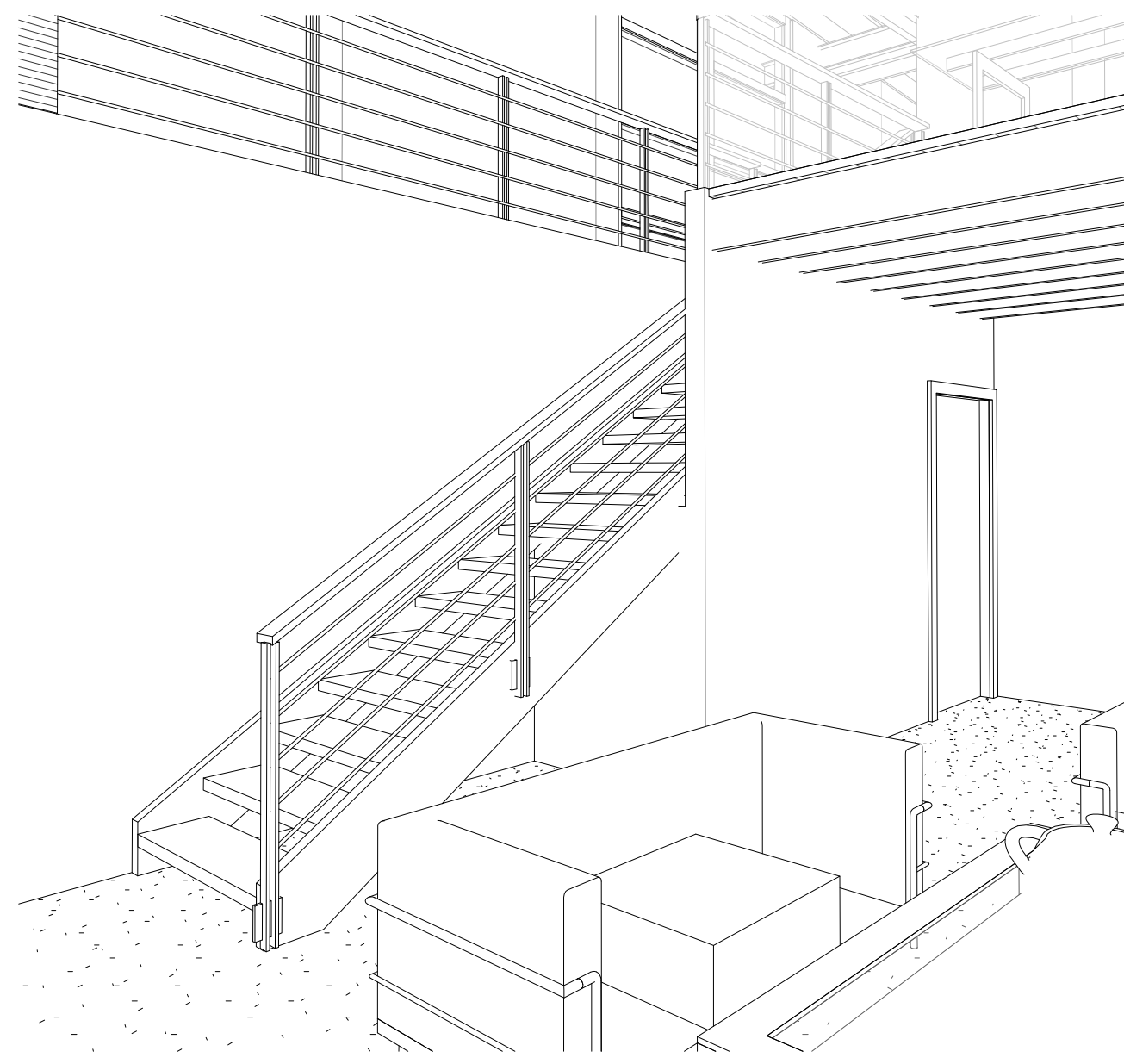
Consultant
Address
Address
Phone
Fax
e-mail

Consultant
Address
Address
Phone
Fax
e-mail

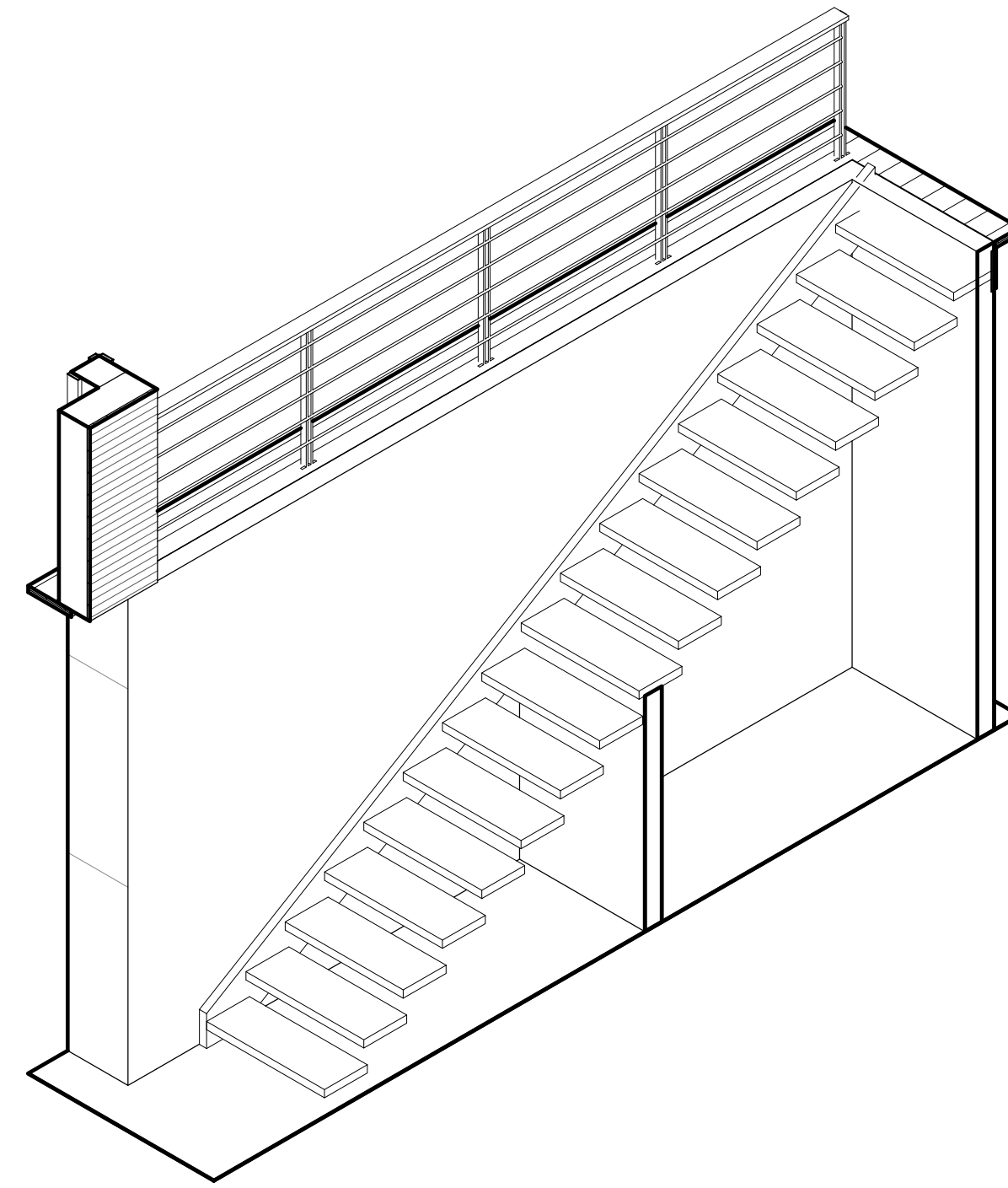
Consultant
Address
Address
Phone
Fax
e-mail

Consultant
Address
Address
Phone
Fax
e-mail

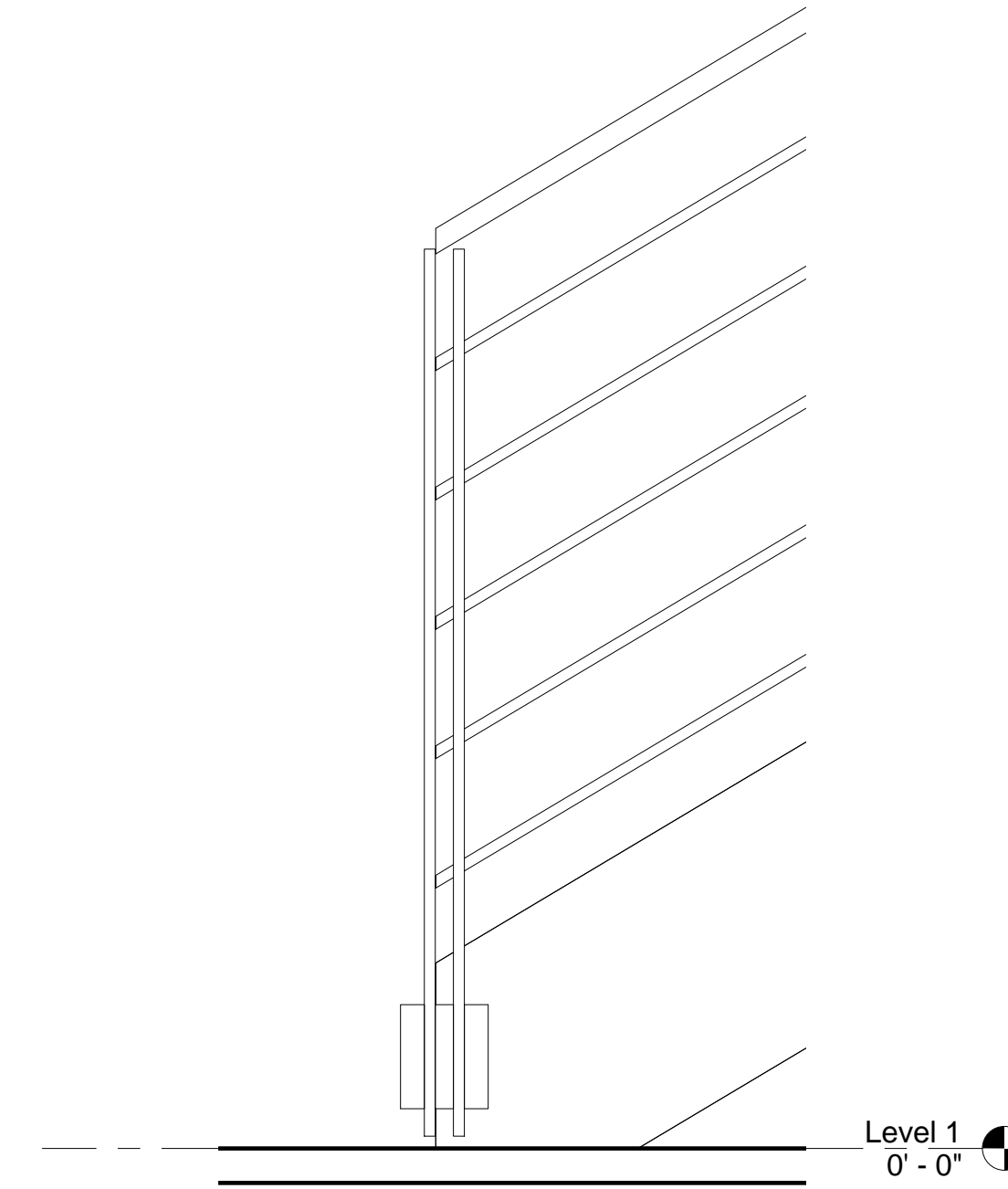
Consultant
Address
Address
Phone
Fax
e-mail



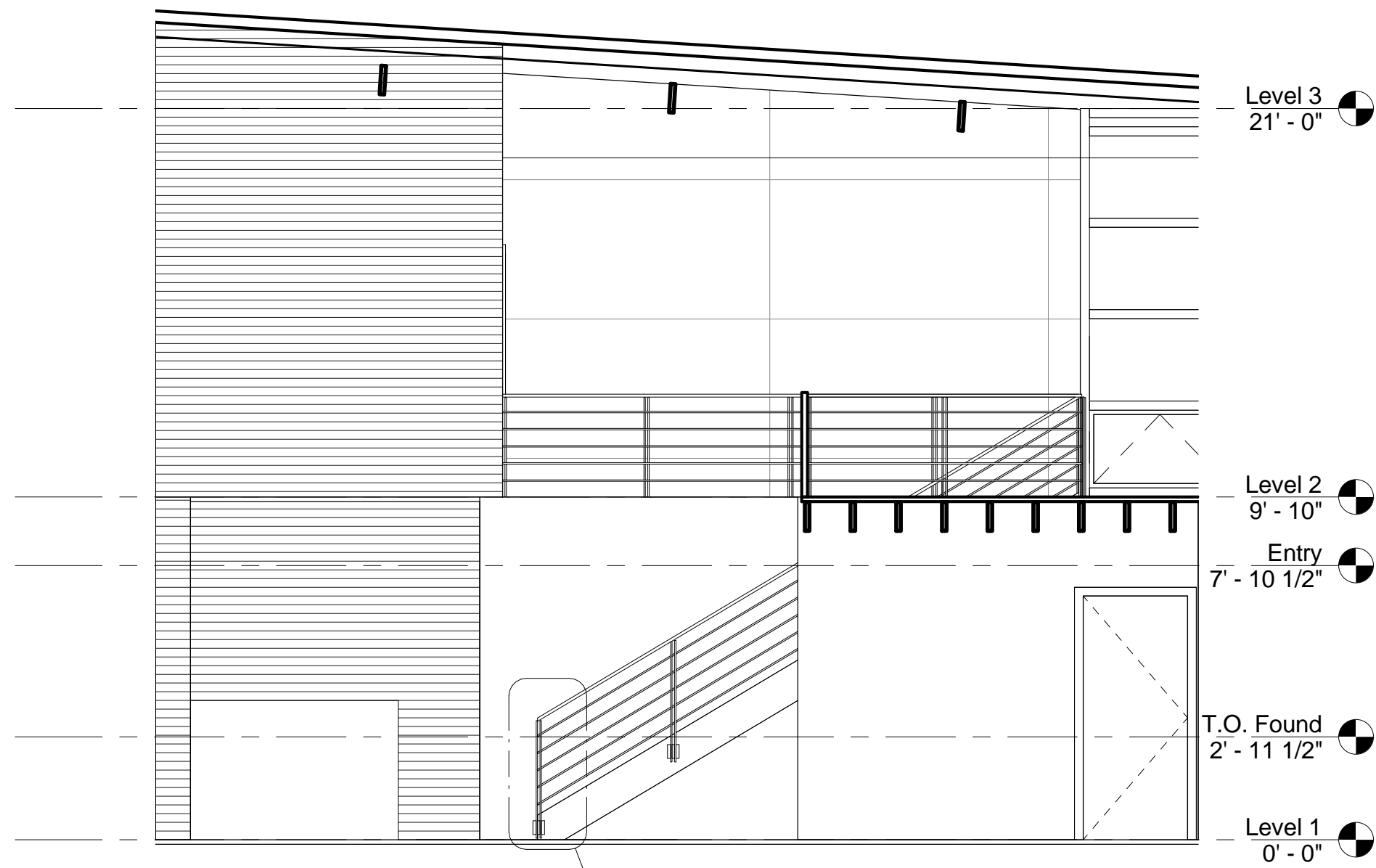
7 Stair SE ISO



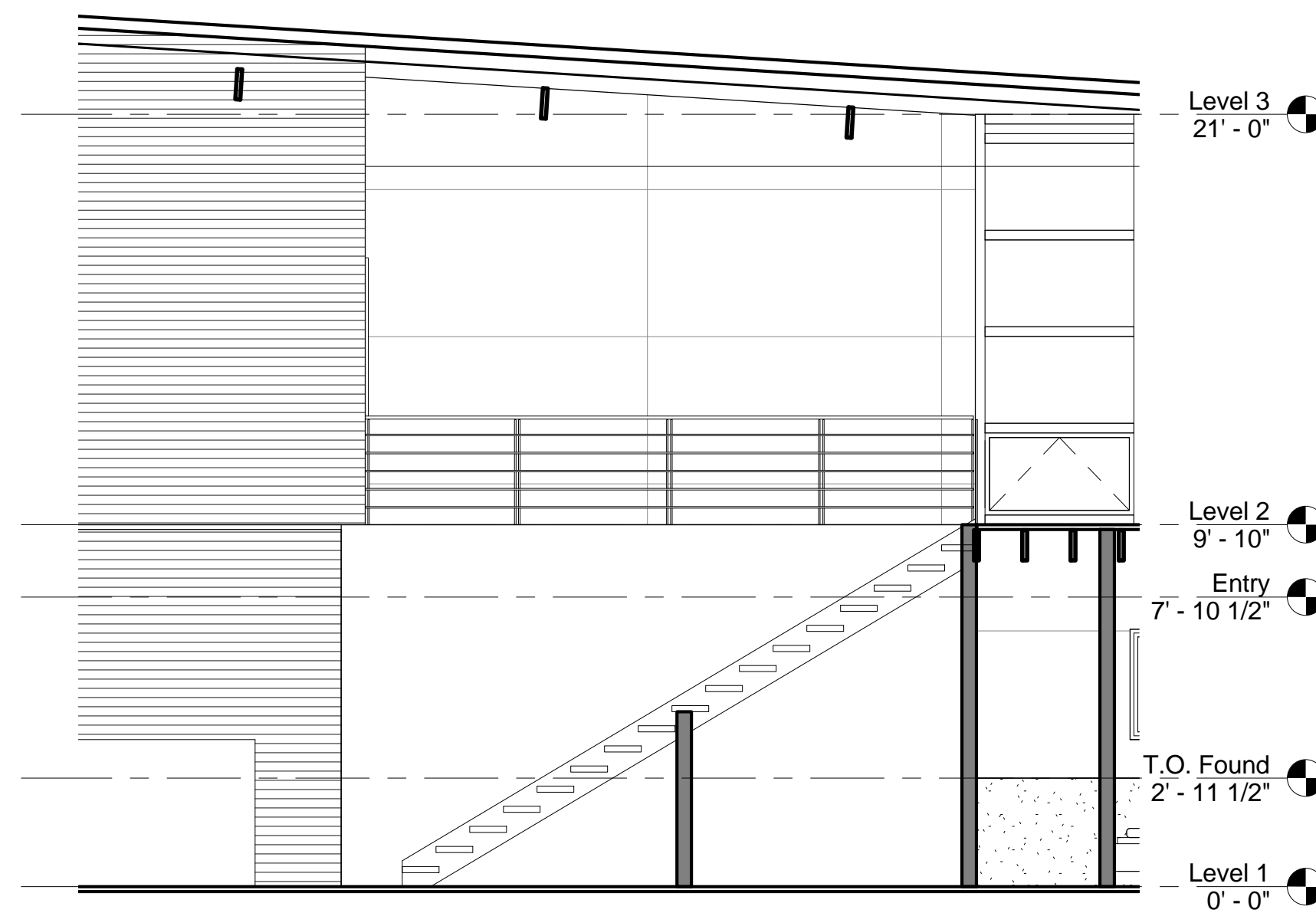
8 Stair Section



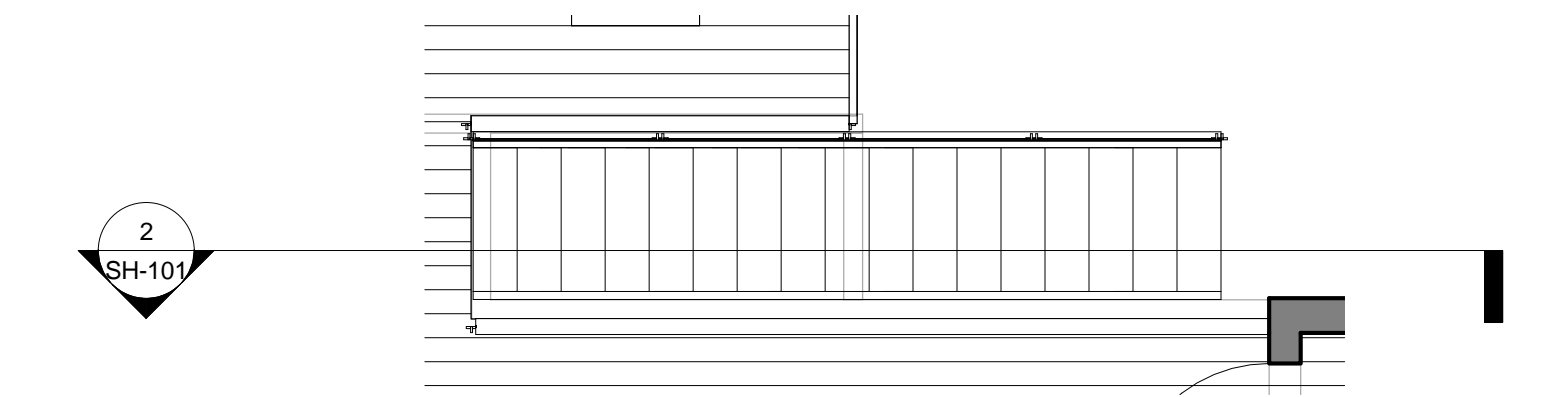
5 Stair Elevation - Railing Detail
1 1/2" = 1'-0"



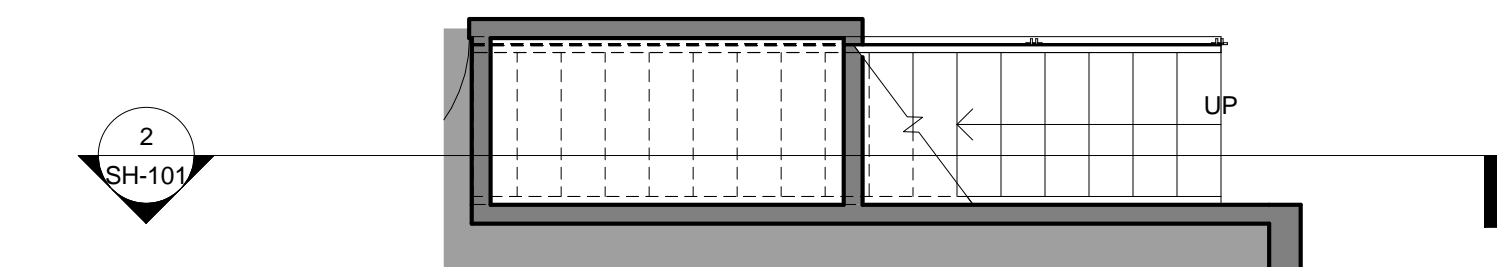
3 Stair Elevation
1/4" = 1'-0"



2 Stair Section
1/4" = 1'-0"



4 Level 2 - Stair Detail
1/4" = 1'-0"



1 Level 1 - Stair Detail
1/4" = 1'-0"

No.	Description	Date

Scavenger Hunt
Stair Detail

Project number 02.2014
Date 10.07.2014
Drawn by MARIE BARETSKY
Checked by KING

SH-101

Scale As indicated

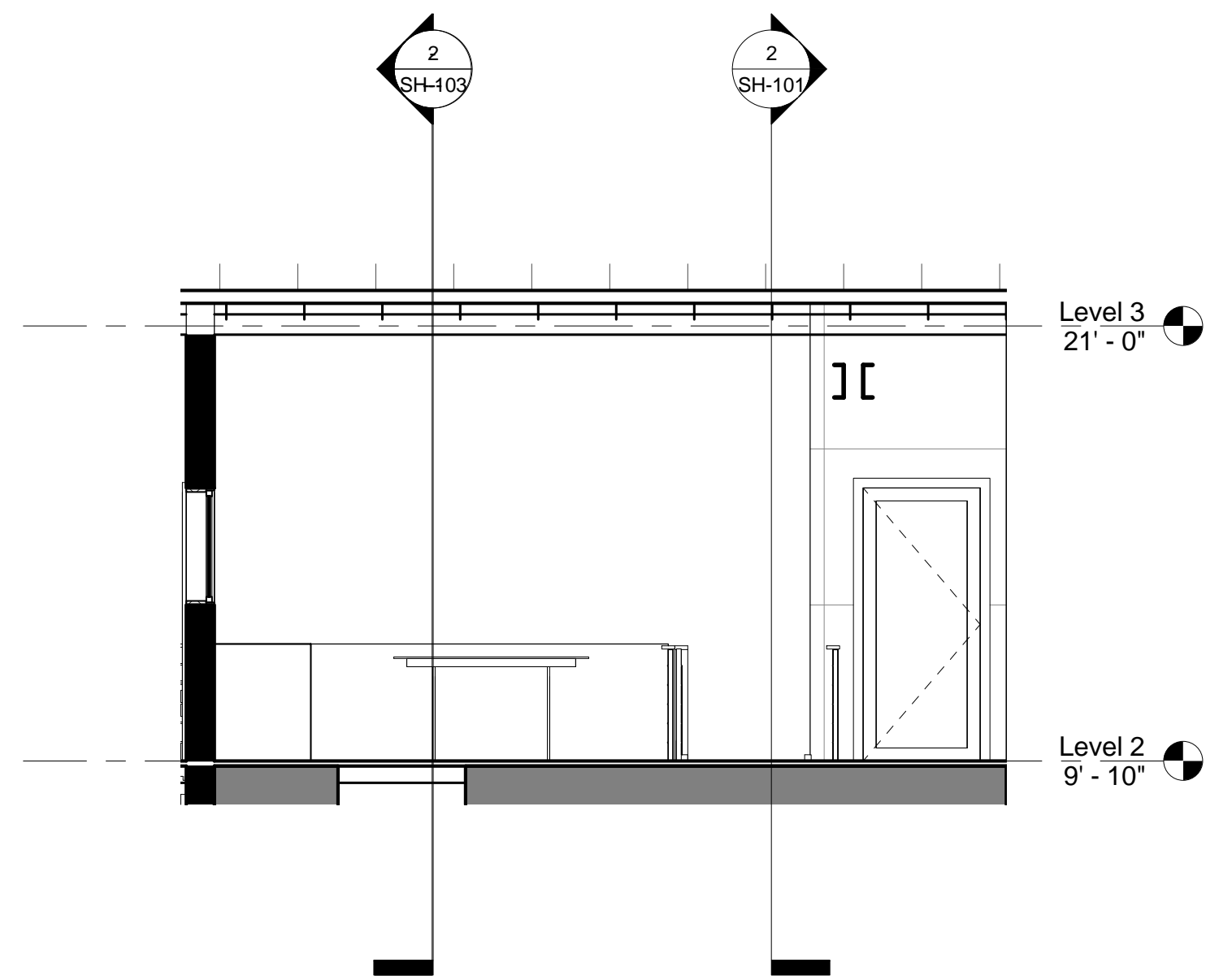
Consultant
Address
Phone
Fax
e-mail

Consultant
Address
Phone
Fax
e-mail

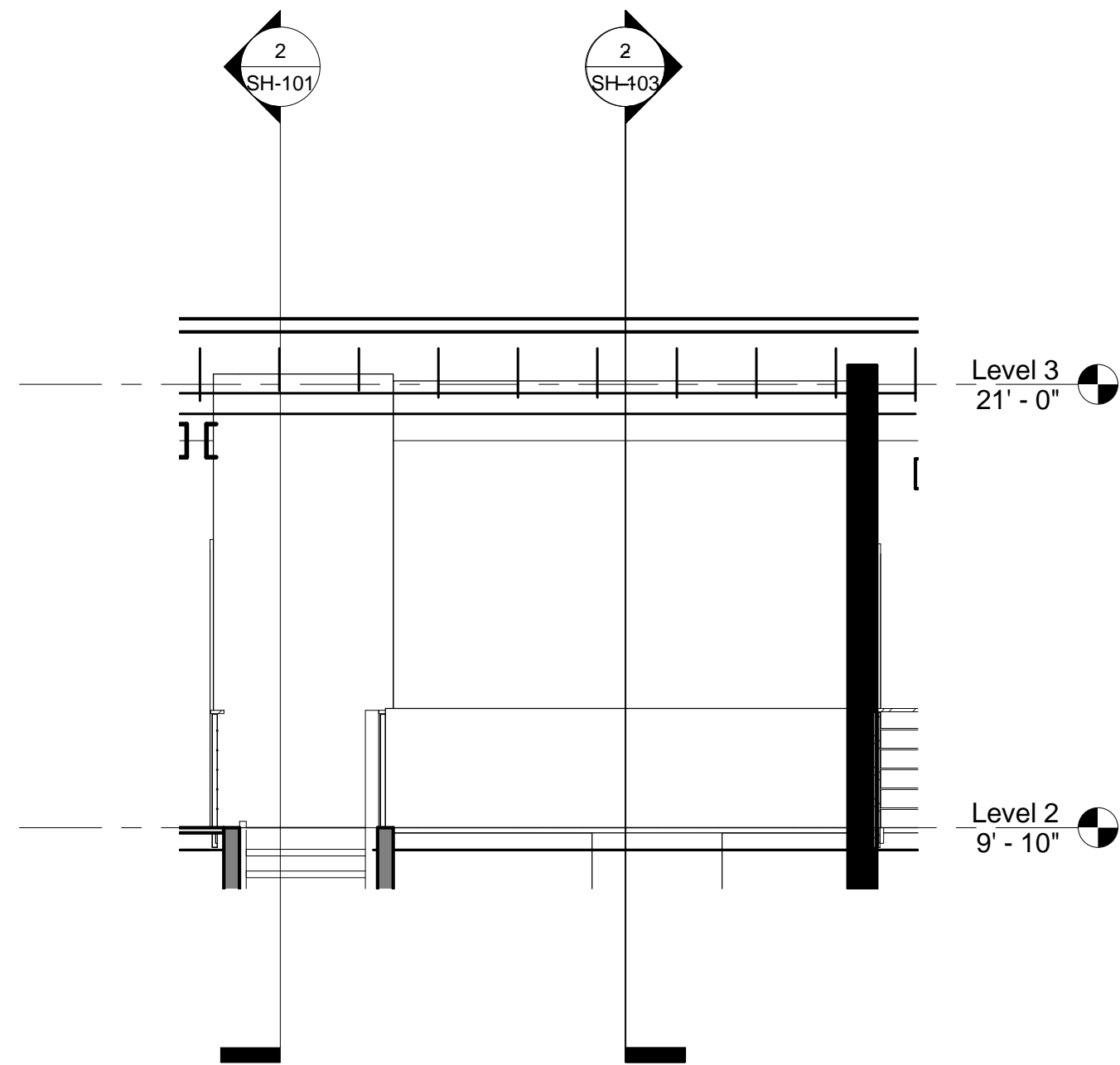
Consultant
Address
Phone
Fax
e-mail

Consultant
Address
Phone
Fax
e-mail

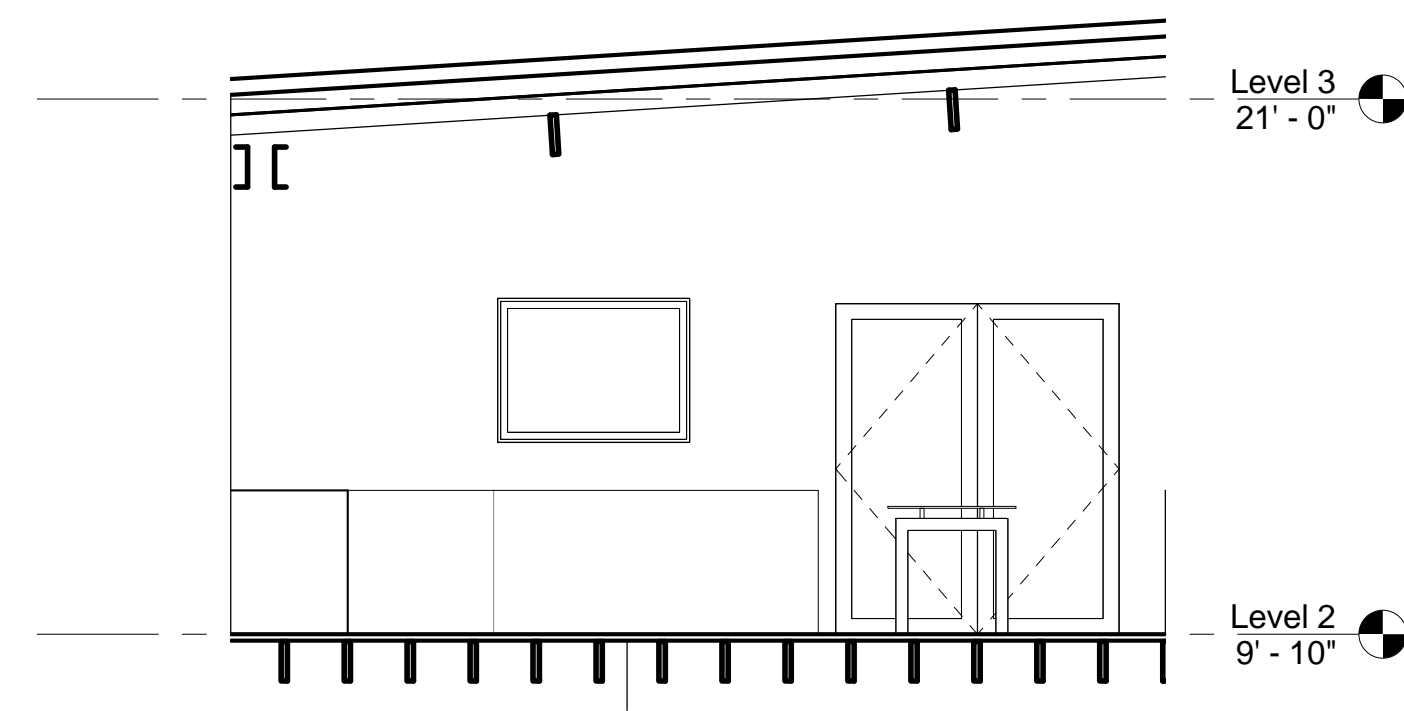
Consultant
Address
Phone
Fax
e-mail



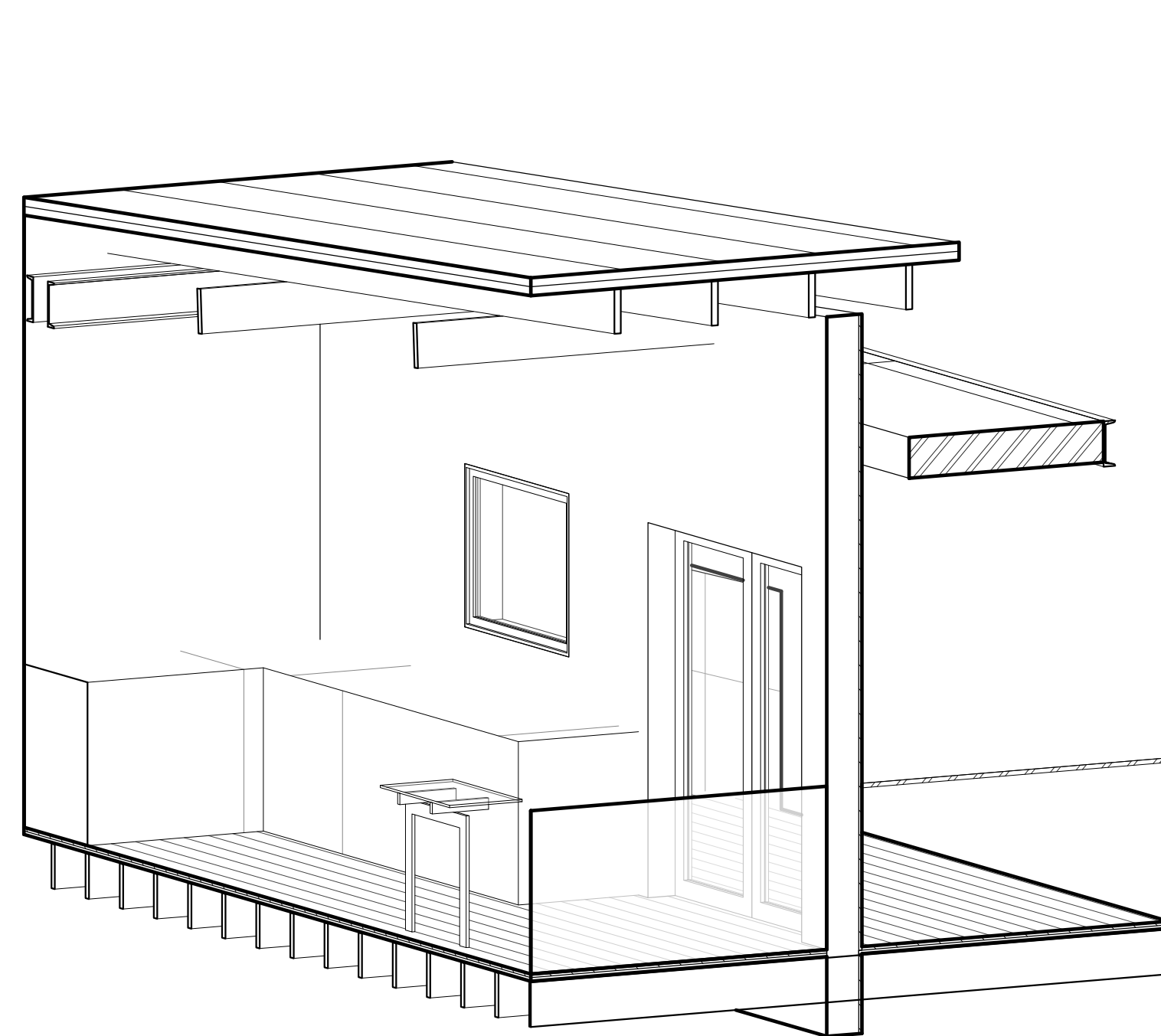
5 Kitchen East Elevation
1/4" = 1'-0"



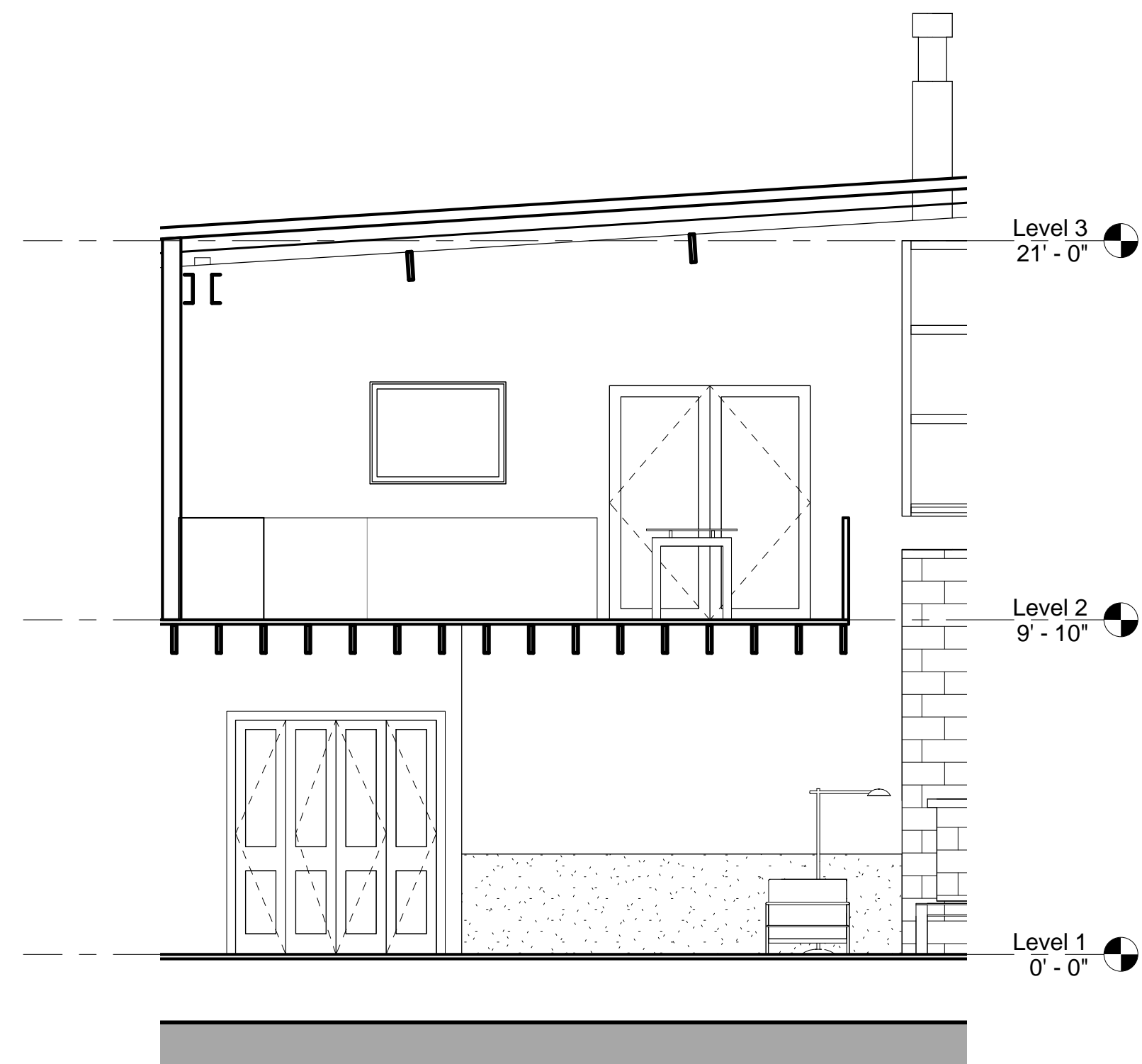
4 Kitchen West Elevation
1/4" = 1'-0"



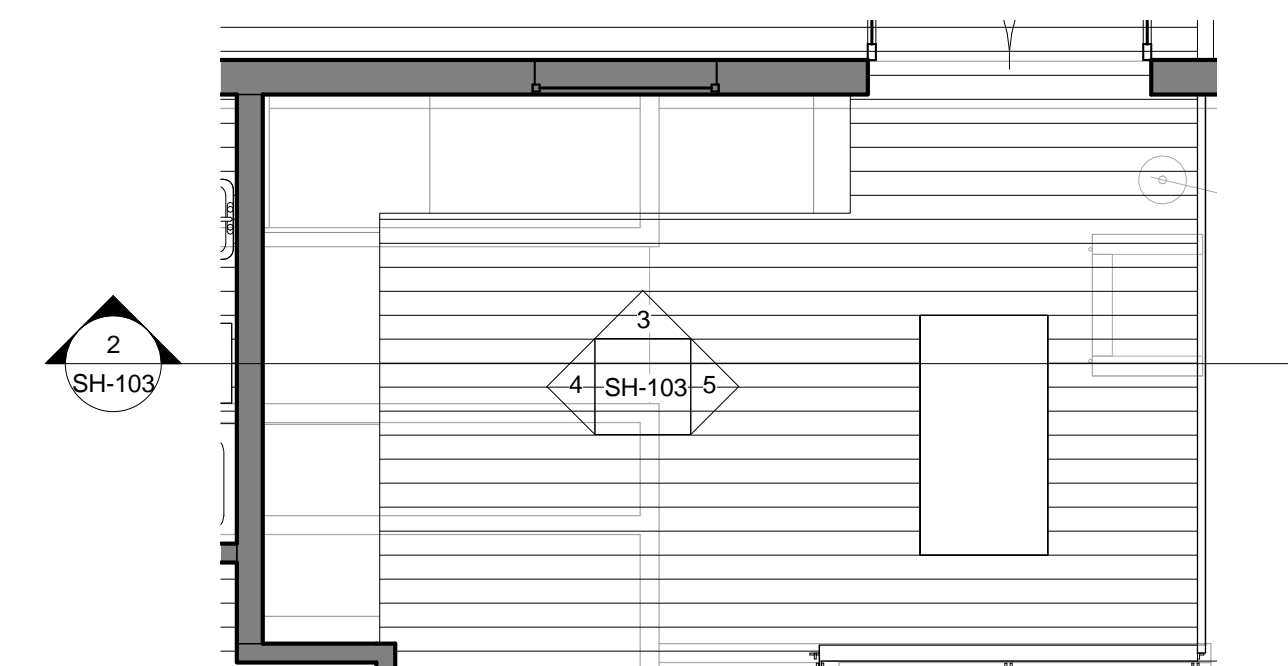
3 Kitchen North Elevation
1/4" = 1'-0"



6 Kitchen SW ISO



2 Section Kitchen
1/4" = 1'-0"



1 Level 2 - Kitchen Detail
1/4" = 1'-0"

No.	Description	Date

**Scavenger Hunt
Kitchen Detail**

Project number	02.2014
Date	10.07.2014
Drawn by	MARIE BARETSKY
Checked by	KING

SH-103

Scale	1/4" = 1'-0"
-------	--------------