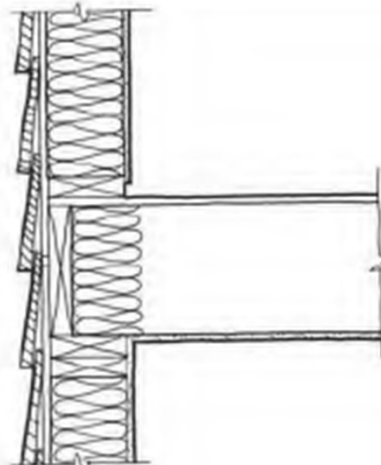


ARCH 2331

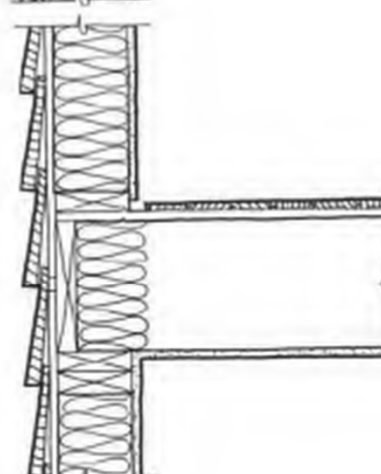
BUILDING TECHNOLOGY II



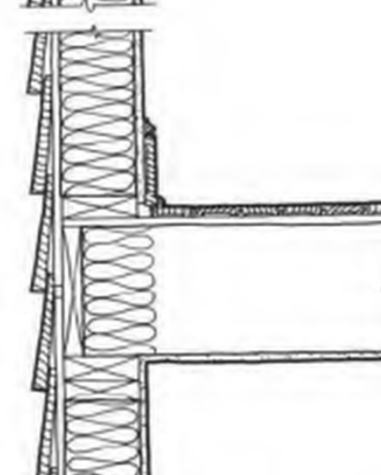
Step 4
Wiring, insulation,
and vapor retarder
are added; walls
are plastered



Step 5
Flooring is installed



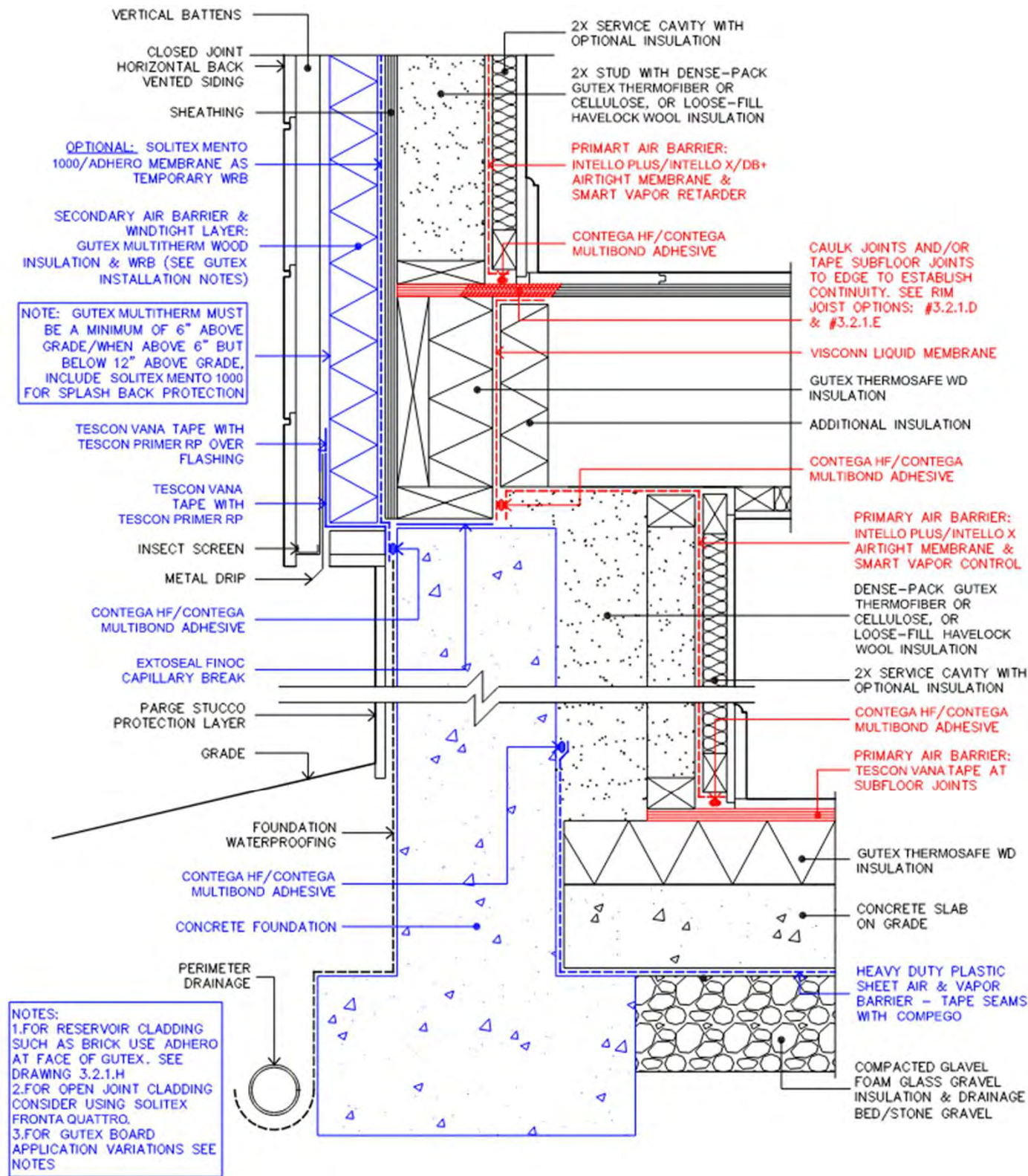
Step 6
Detail is completed
with baseboard



1. Rehearsing the Construction Sequence of
a Wood-Frame Dwelling: Steps 4-6

2X FRAMING
 (or continuous exterior insulation with chase wall)

SMART ENCLOSURE

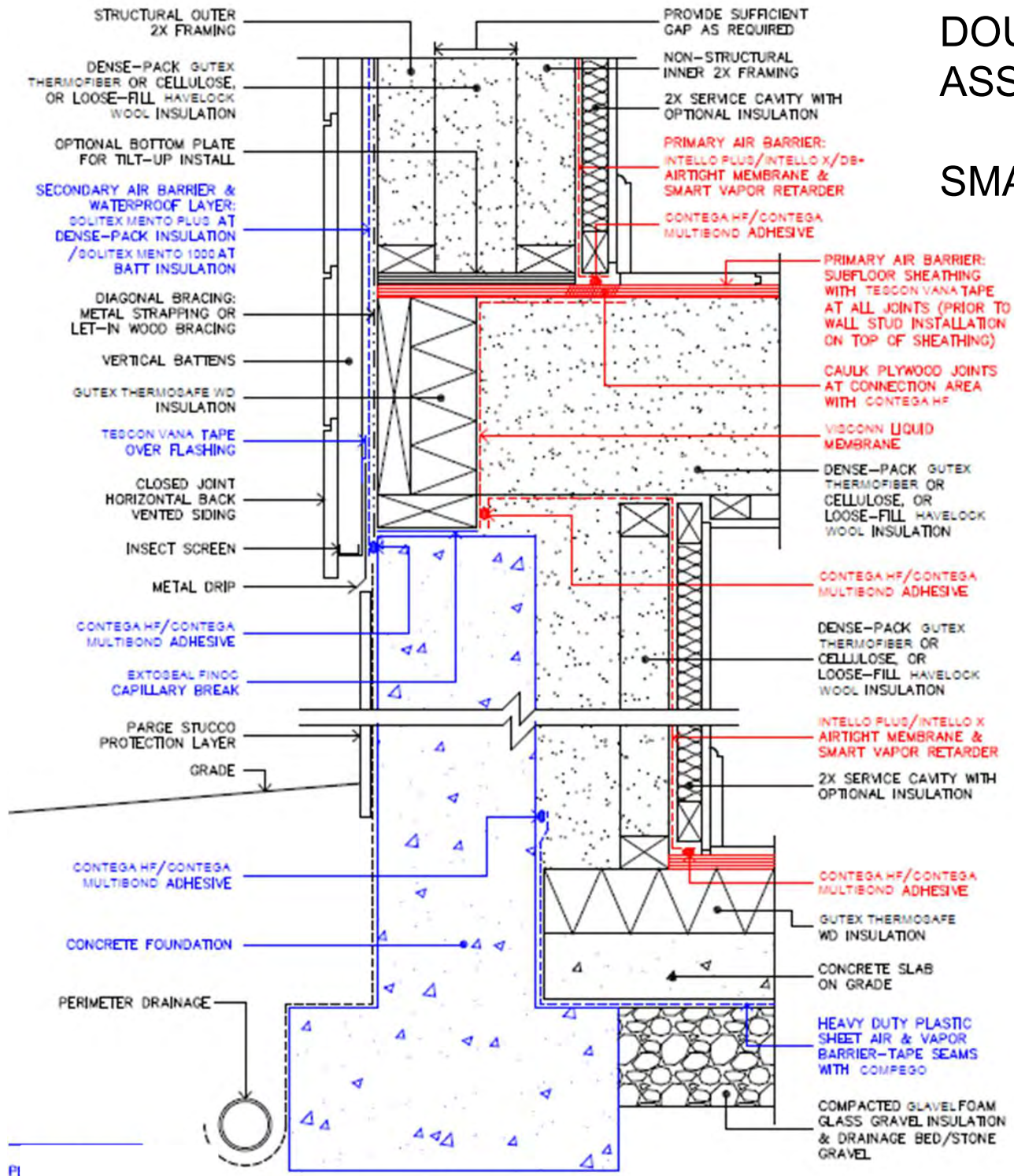


NOTE: GUTEX MULTITHERM MUST BE A MINIMUM OF 6" ABOVE GRADE/WHEN ABOVE 6" BUT BELOW 12" ABOVE GRADE, INCLUDE SOLITEX MENTO 1000 FOR SPLASH BACK PROTECTION

NOTES:
 1.FOR RESERVOIR CLADDING SUCH AS BRICK USE ADHERO AT FACE OF GUTEX. SEE DRAWING 3.2.1.H
 2.FOR OPEN JOINT CLADDING CONSIDER USING SOLITEX FRONTO QUATTRO.
 3.FOR GUTEX BOARD APPLICATION VARIATIONS SEE NOTES

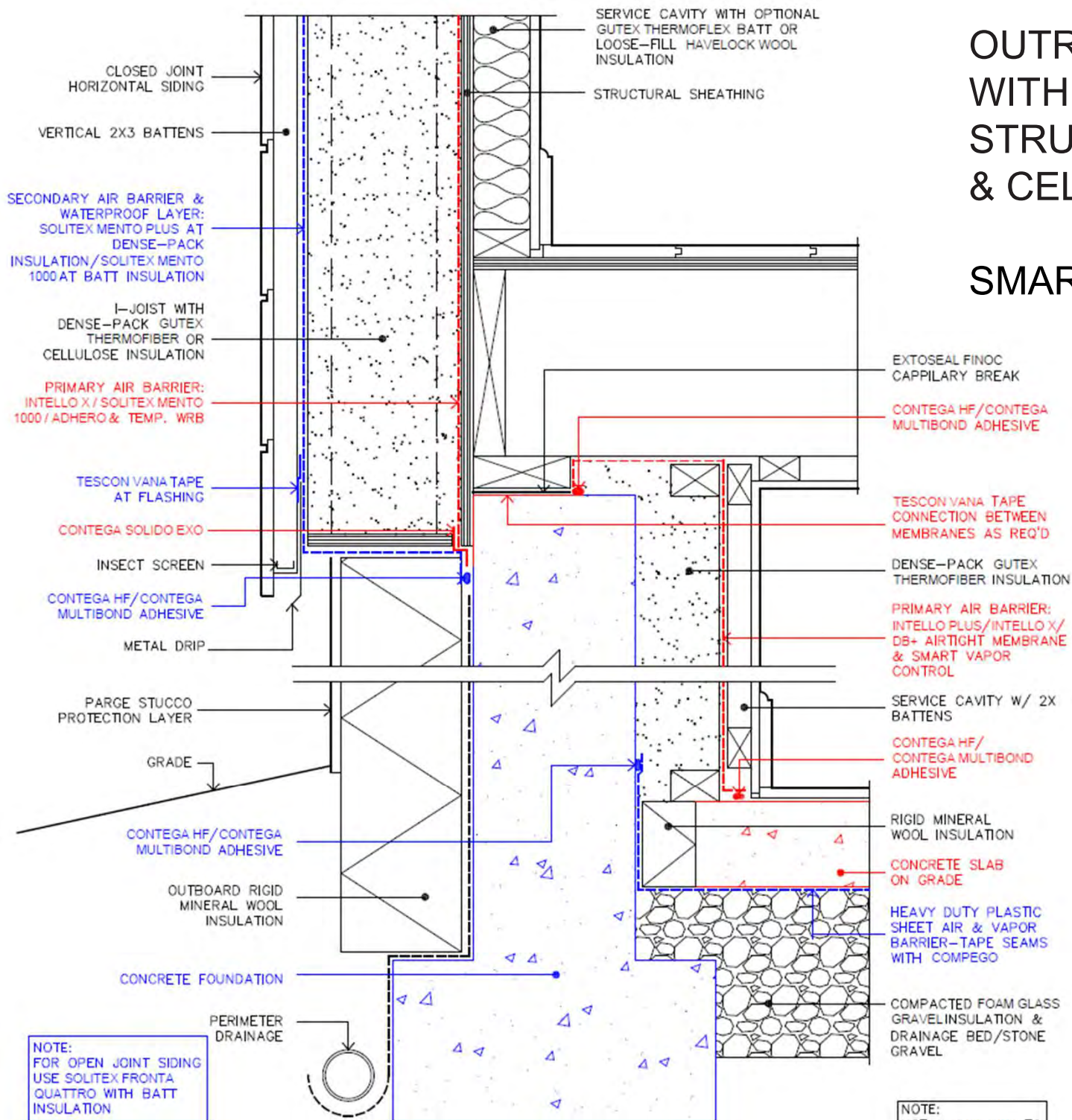
DOUBLE-STUD ASSEMBLIES

SMART ENCLOSURE



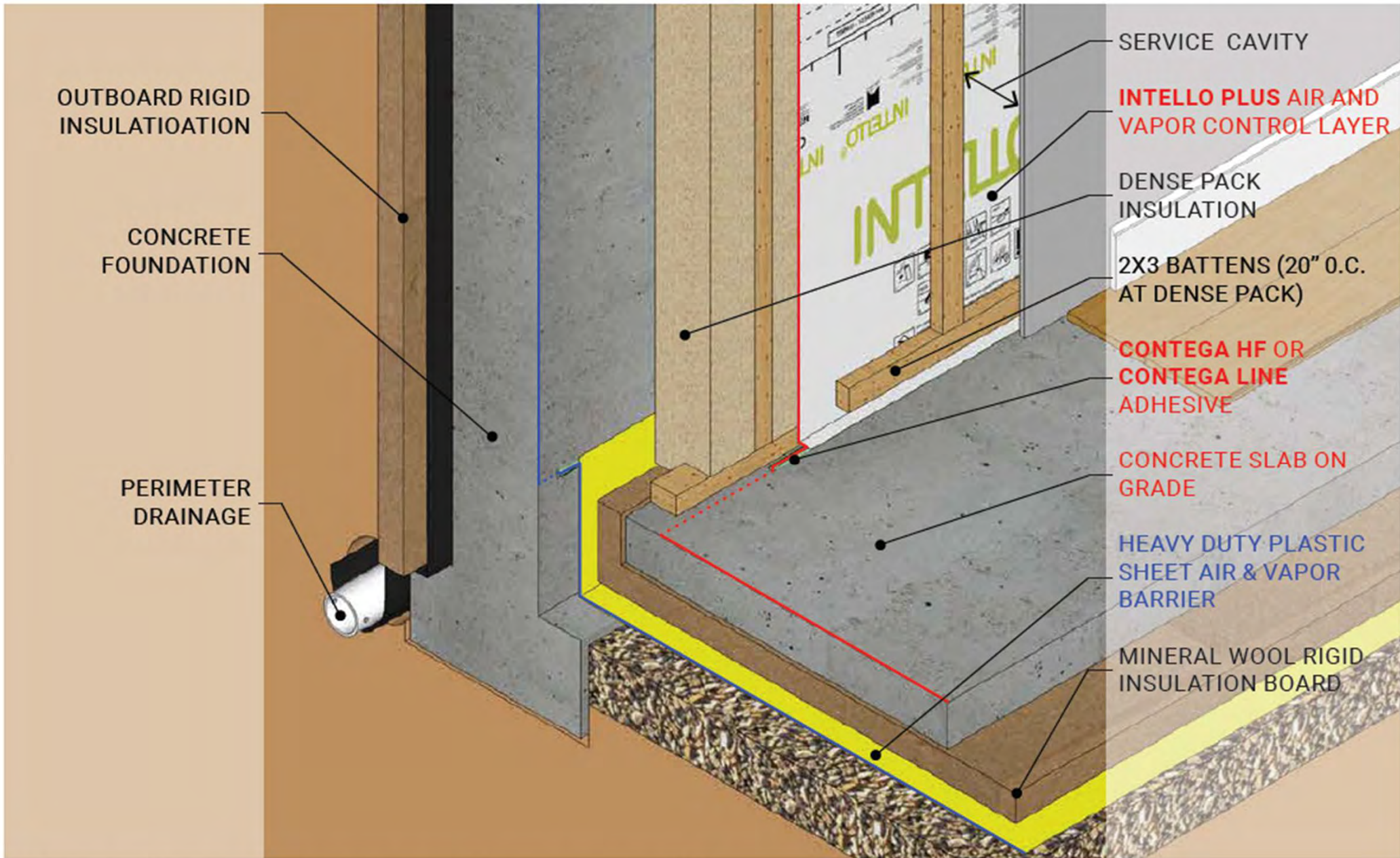
OUTRIGGER TJI WITH CHASE STRUCTURAL WALL & CELLAR

SMART ENCLOSURE



NOTE:
FOR OPEN JOINT SIDING
USE SOLITEX FRONTA
QUATTRO WITH BATT
INSULATION

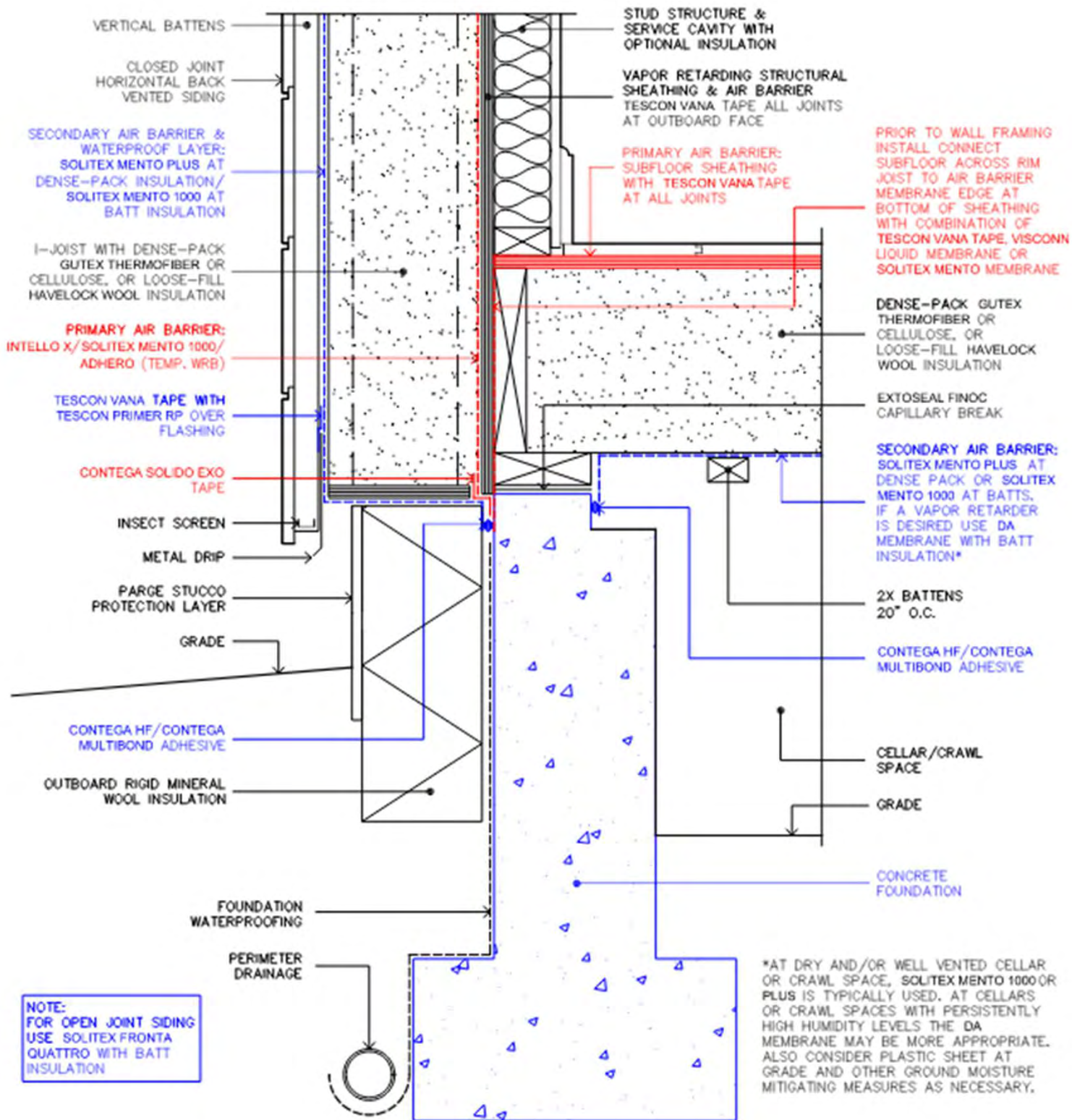
NOTE:
USE A PRESSFIX TO
PRESSURIZE SOLID
ACRYLIC TAPES



View down at ground connection

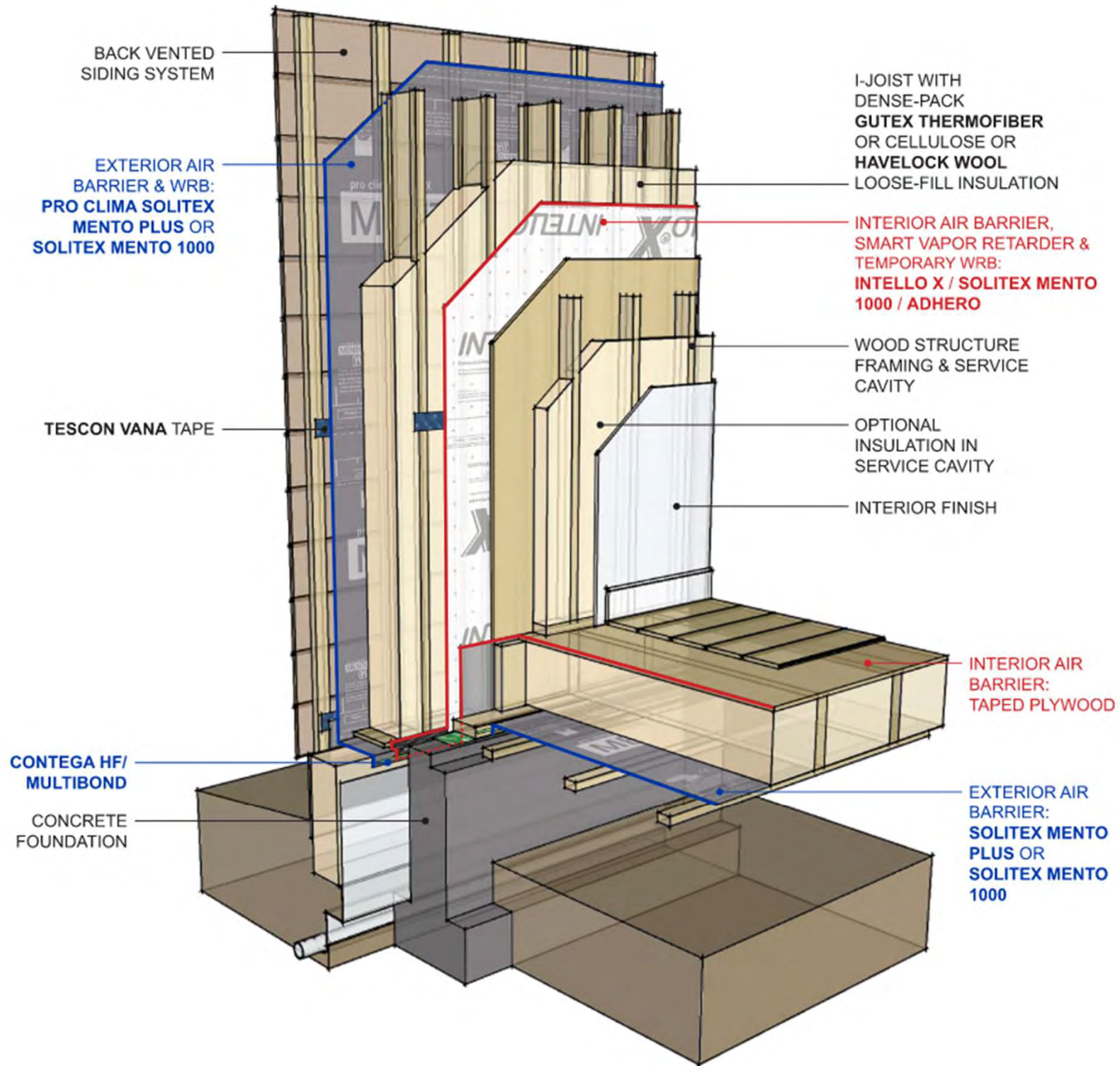
OUTRIGGER TJI WITH UNCONDITIONED CRAWL SPACE

SMART ENCLOSURE



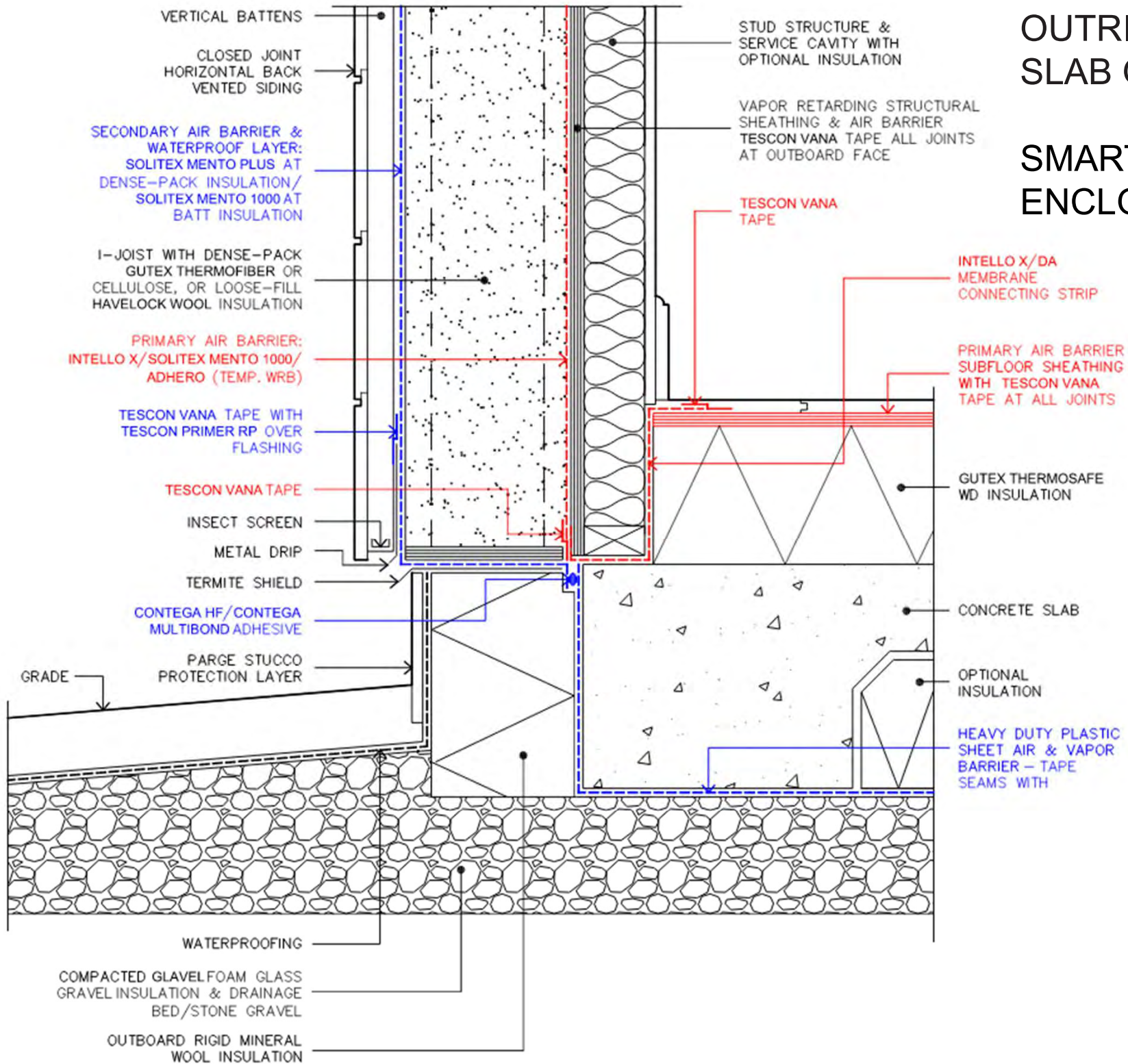
OUTRIGGER TJI WITH UNCONDITIONED CRAWL SPACE

SMART ENCLOSURE



OUTRIGGER TJI SLAB ON GRADE

SMART ENCLOSURE



OUTRIGGER TJI SLAB ON GRADE

SMART ENCLOSURE

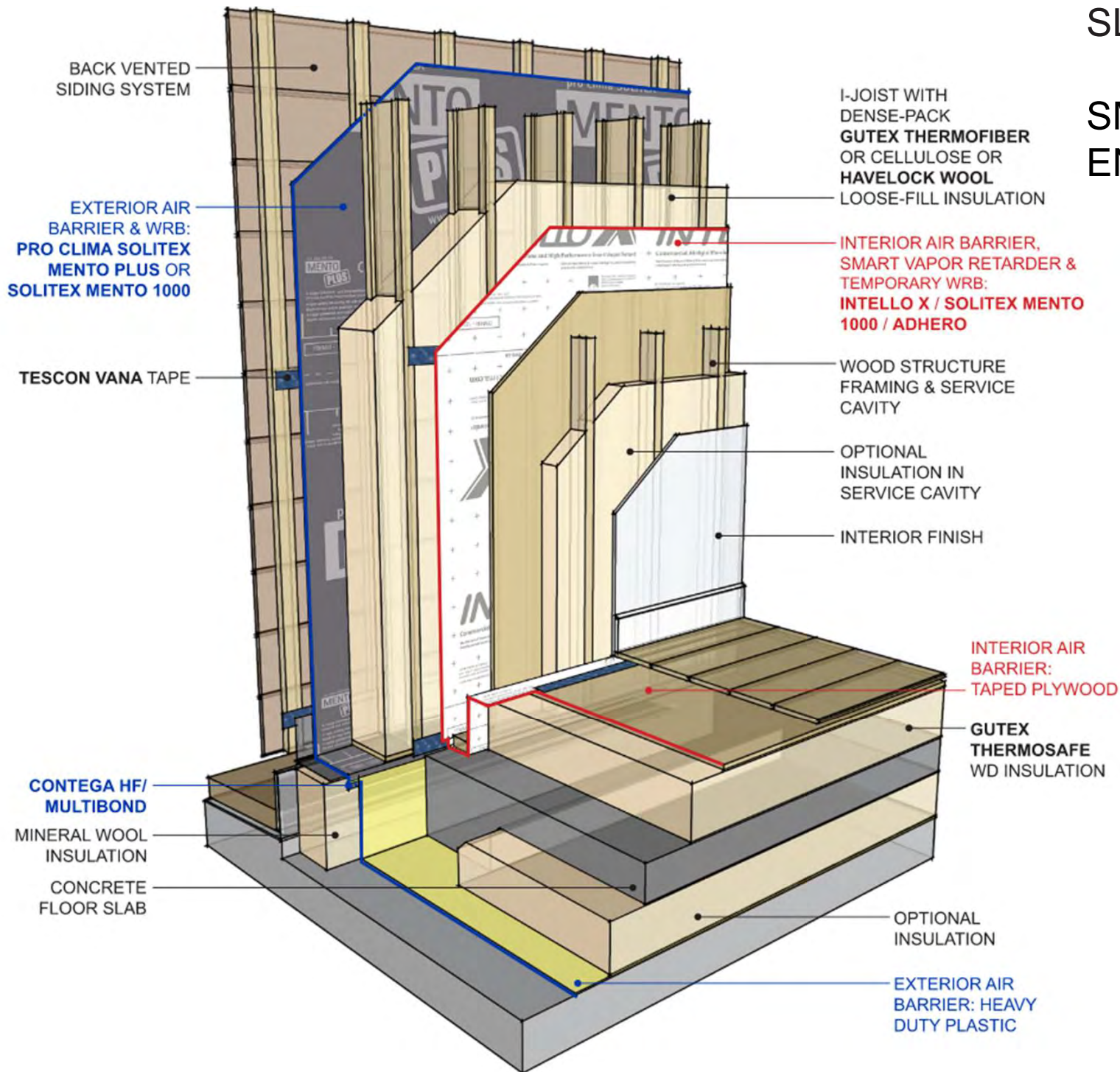




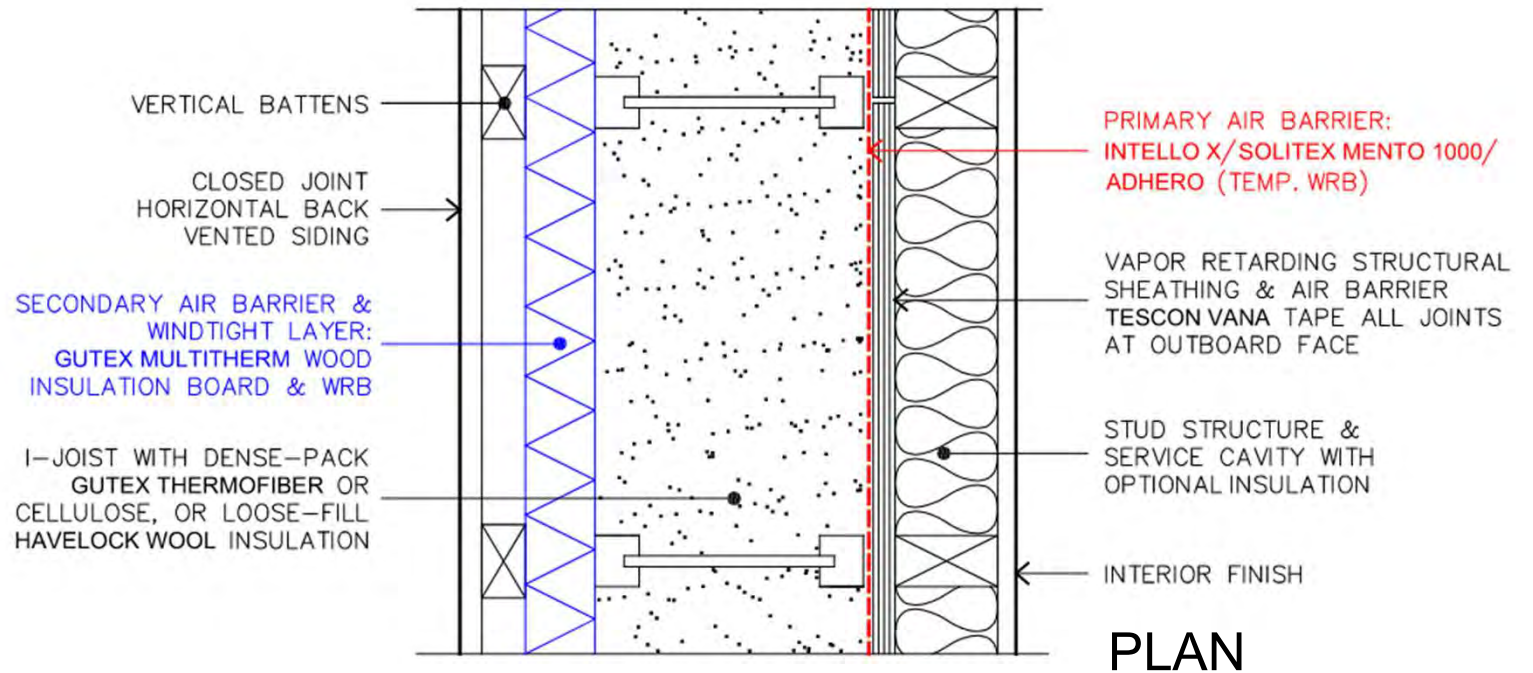
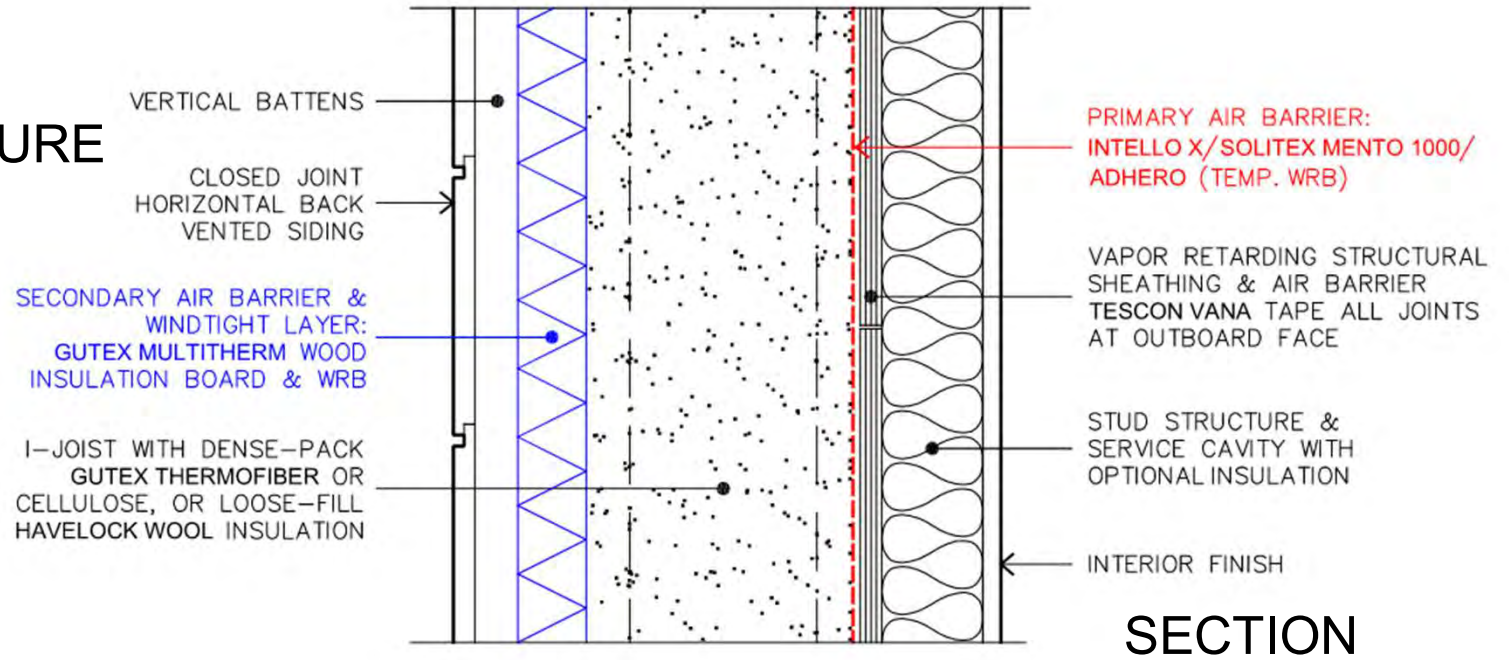


Image: Stevens Institute of Technology - SURE House

475 High Performance Building Supply
<https://foursevenfive.com/>

OUTRIGGER TJI

SMART ENCLOSURE

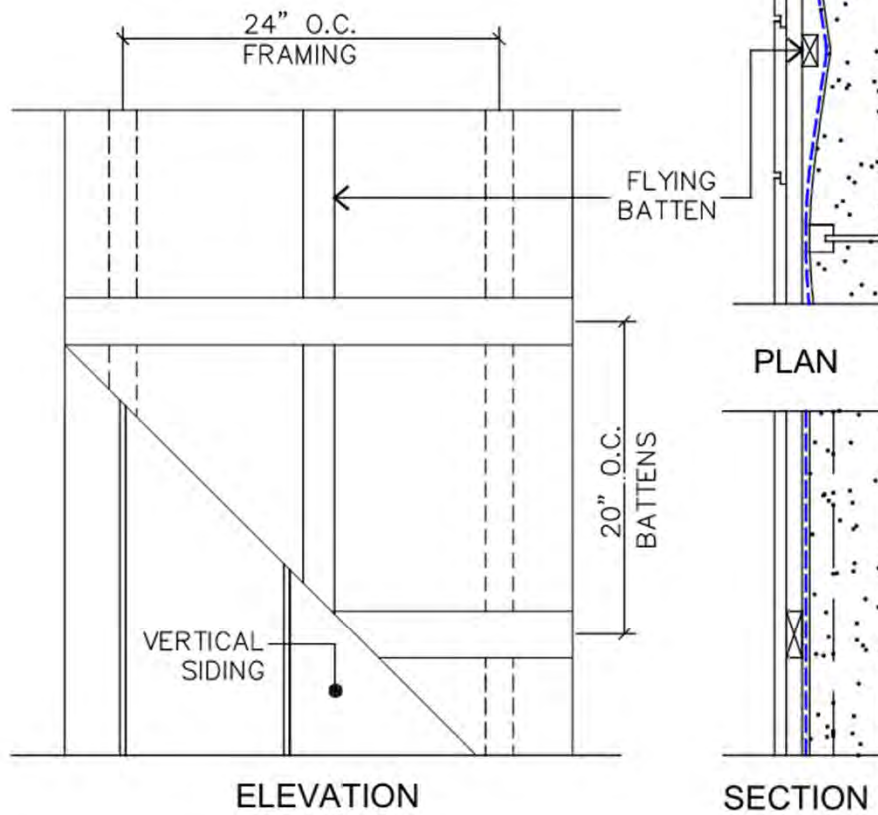




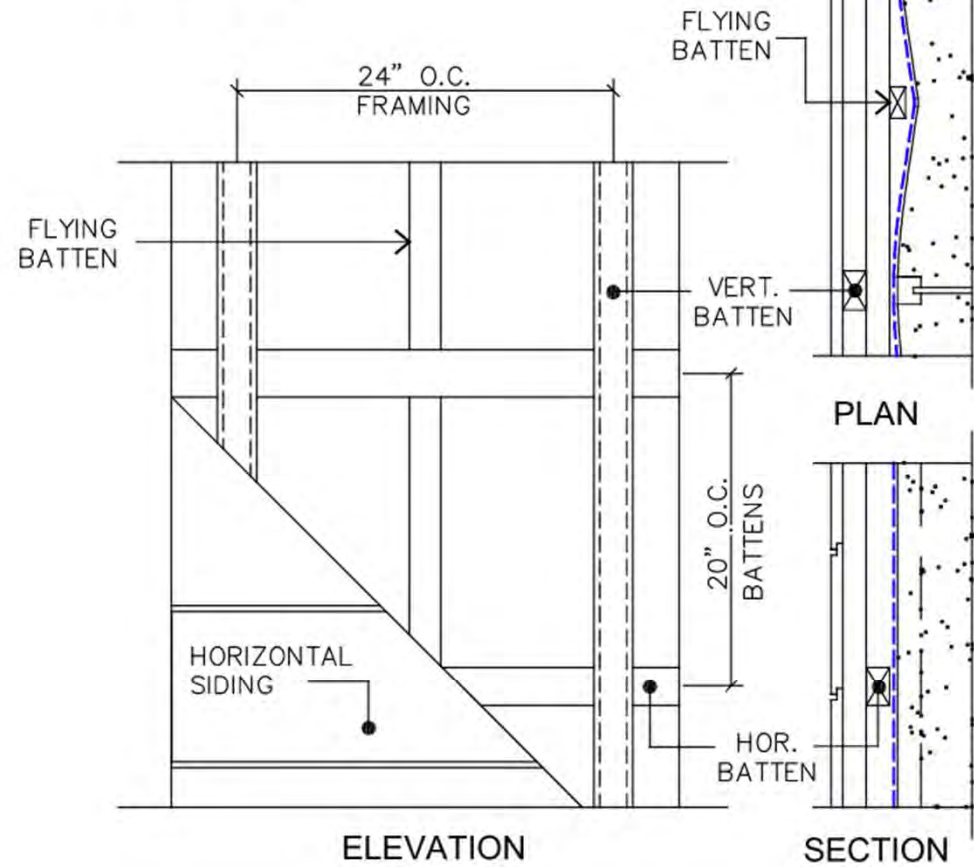




FRAMING 24" O.C. WITH
VERTICAL SIDING & FLYING
BATTENS

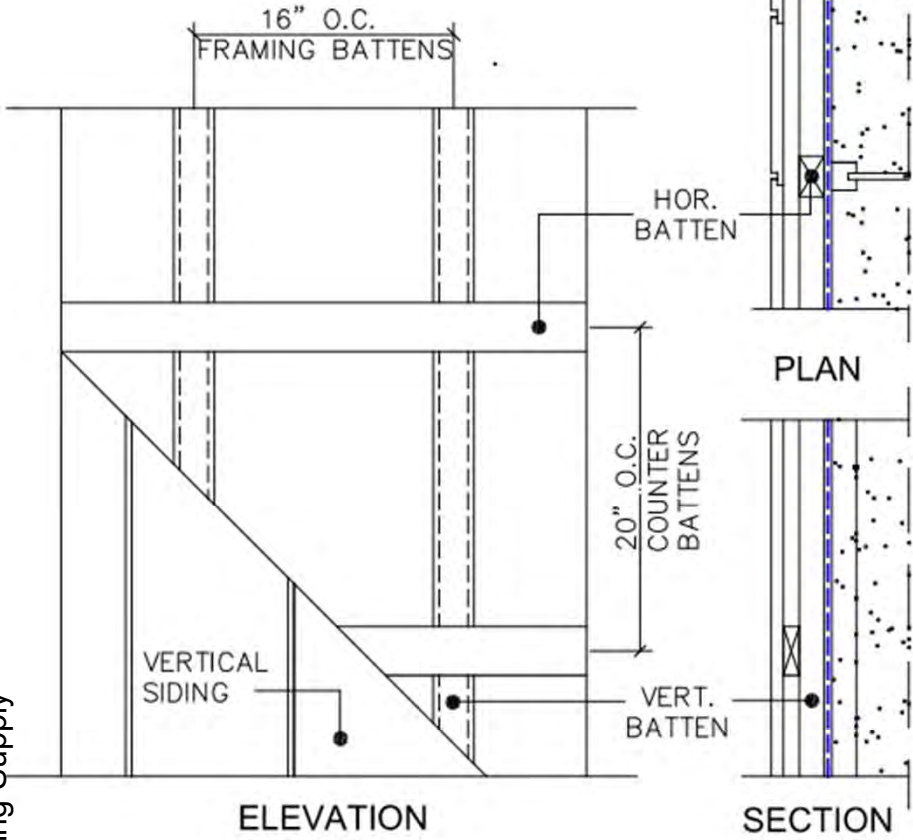


FRAMING 24" O.C. WITH
HORIZONTAL SIDING & FLYING
BATTENS

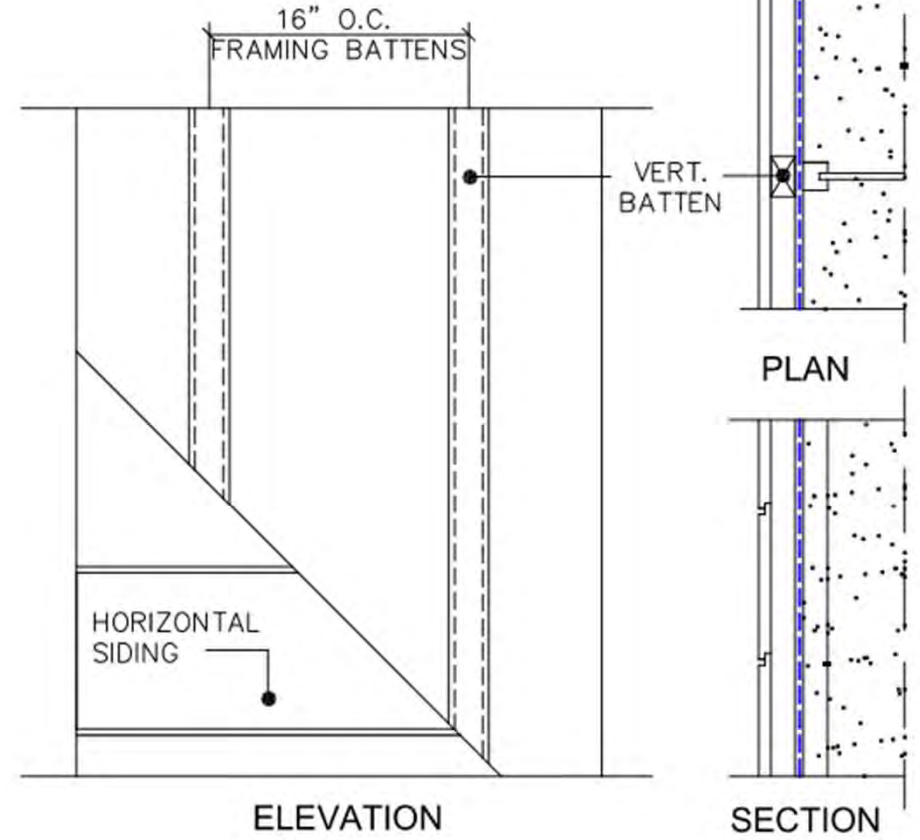


NOTE:
24" O.C. STUD SPACING REQUIRES THE USE OF FLYING BATTENS.

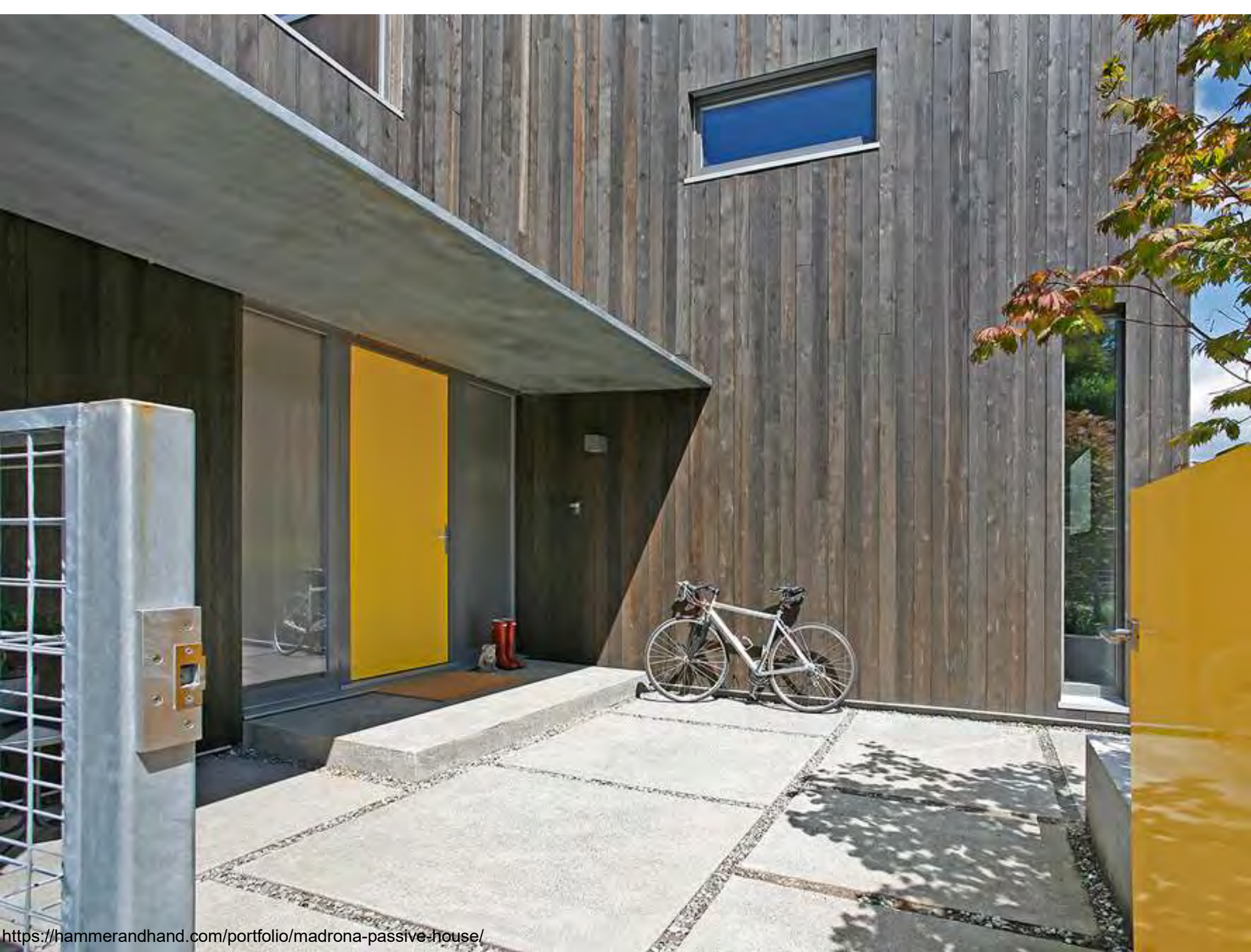
FRAMING 16" O.C. WITH VERTICAL SIDING

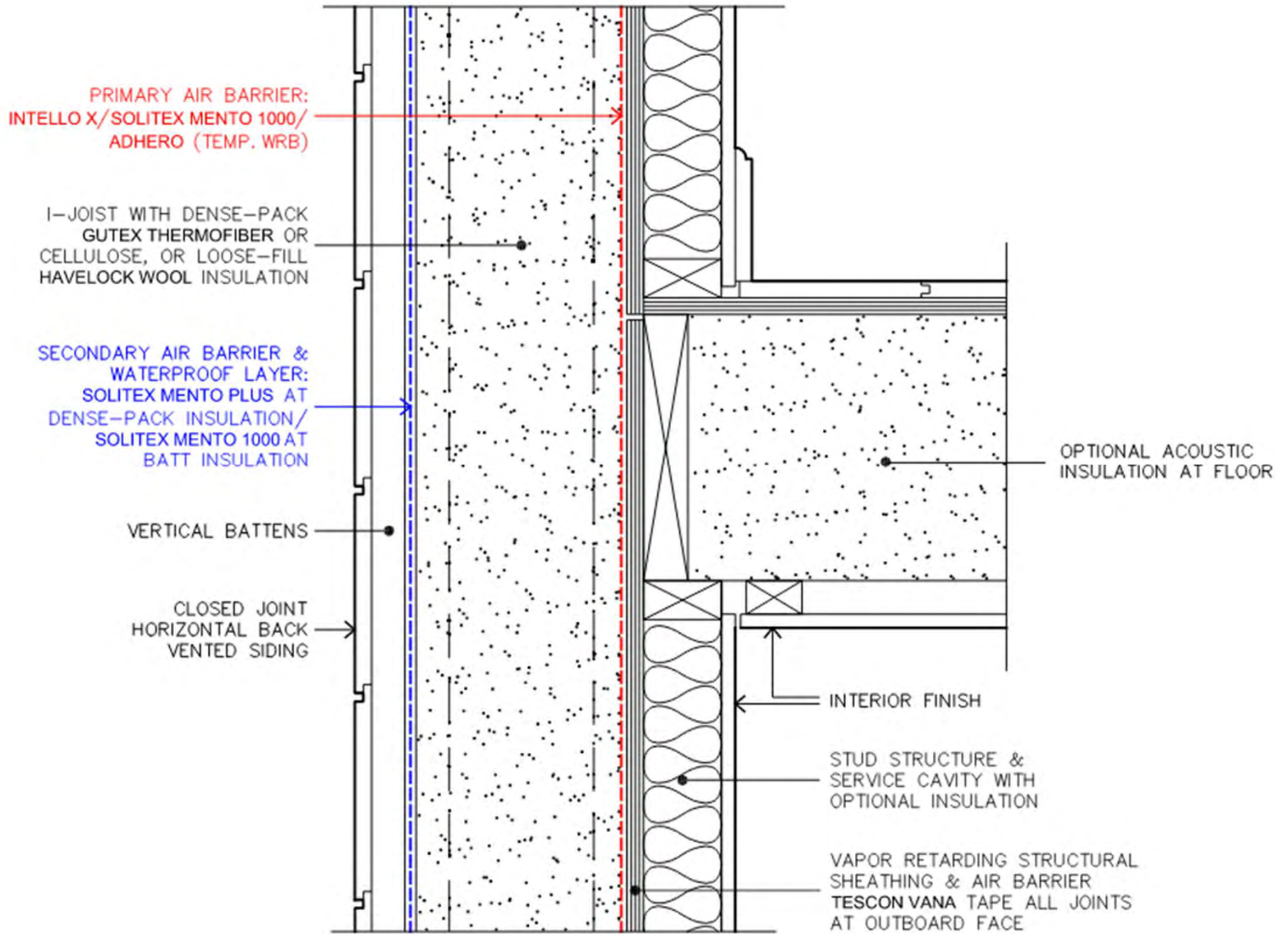


FRAMING 16" O.C. WITH HORIZONTAL SIDING





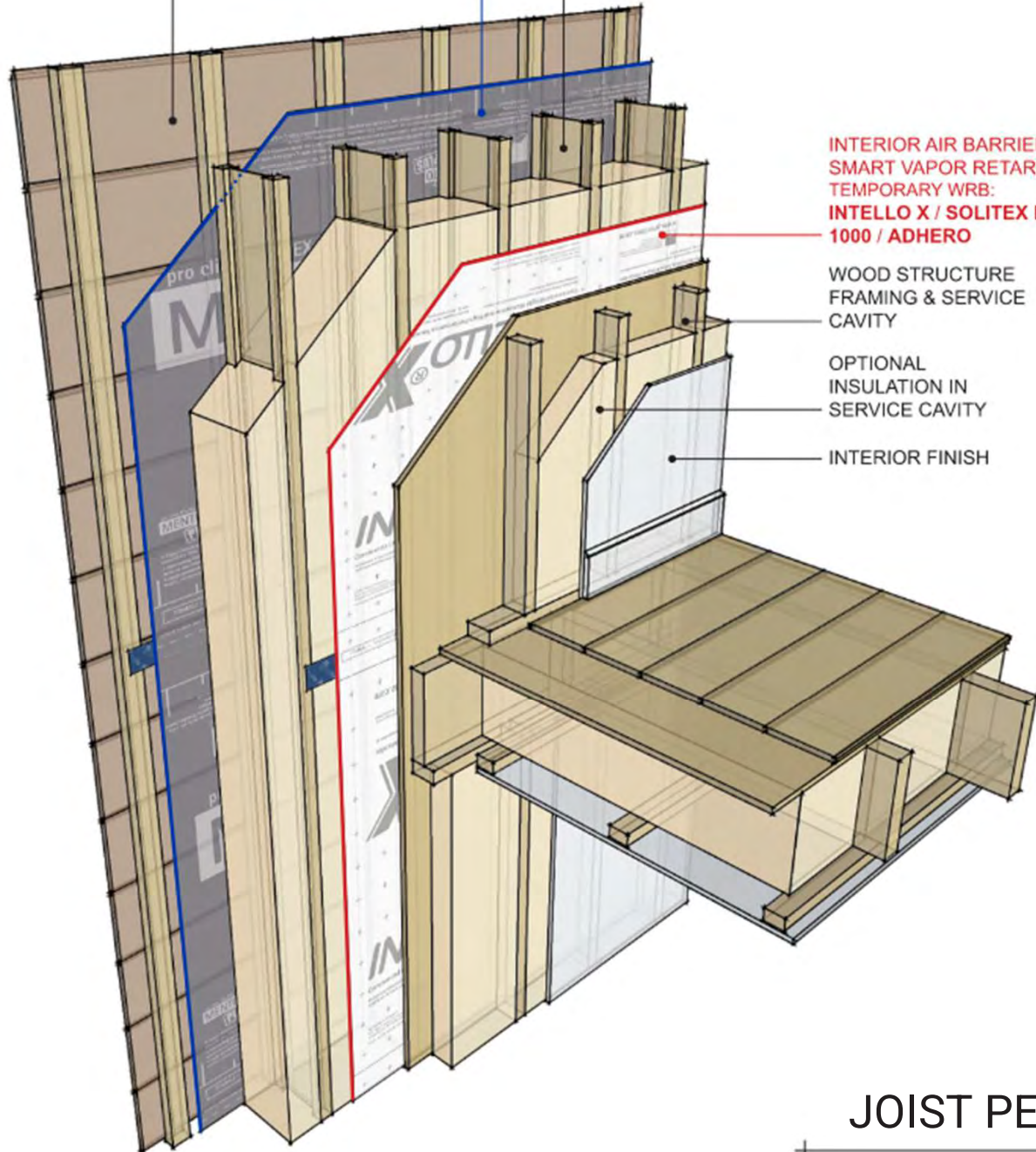




BACK VENTED
SIDING SYSTEM

EXTERIOR AIR
BARRIER & WRB:
**PRO CLIMA SOLITEX
MENTO PLUS OR
SOLITEX MENTO 1000**

I-JOIST WITH
DENSE-PACK
**GUTEX THERMOFIBER
OR CELLULOSE OR
HAVELOCK WOOL**
LOOSE-FILL INSULATION



INTERIOR AIR BARRIER,
SMART VAPOR RETARDER &
TEMPORARY WRB:
**INTELLO X / SOLITEX MENTO
1000 / ADHERO**

WOOD STRUCTURE
FRAMING & SERVICE
CAVITY

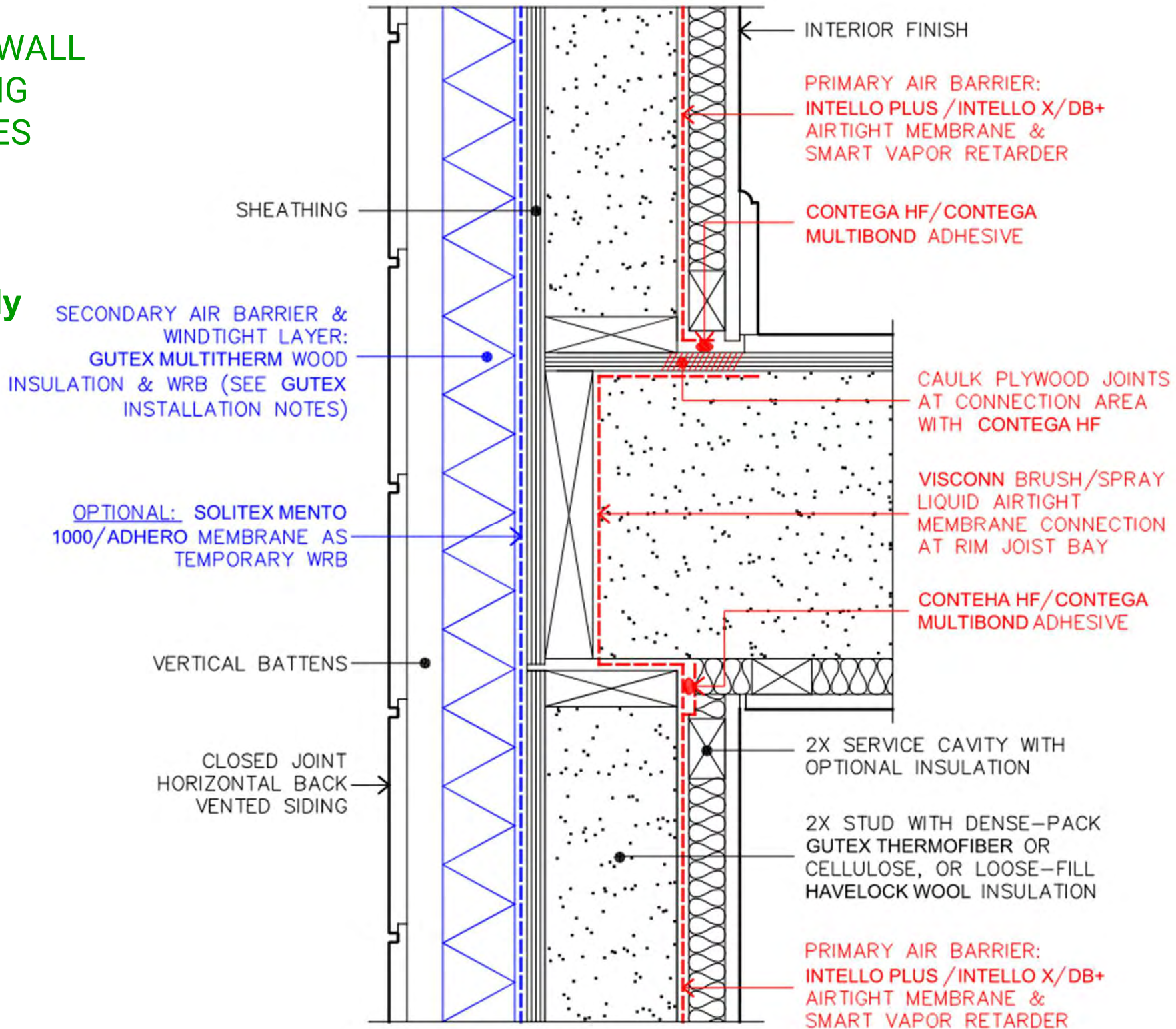
OPTIONAL
INSULATION IN
SERVICE CAVITY

INTERIOR FINISH

JOIST PENETRATIONS

EXTERIOR WALL 2X FRAMING ASSEMBLIES

Similar to situation I stud study Group 4



EXTERIOR WALL 2X FRAMING ASSEMBLIES

reference for
I stud Group 4

BACK VENTED
SIDING SYSTEM

GUTEX
MULTITHERM
WOOD
FIBERBOARD
INSULATION WRB
AND WINDTIGHT
LAYER

OPTIONAL PRO
CLIMA SOLITEX
MENTO 1000
OR ADHERO AS
TEMPORARY WRB

SHEATHING

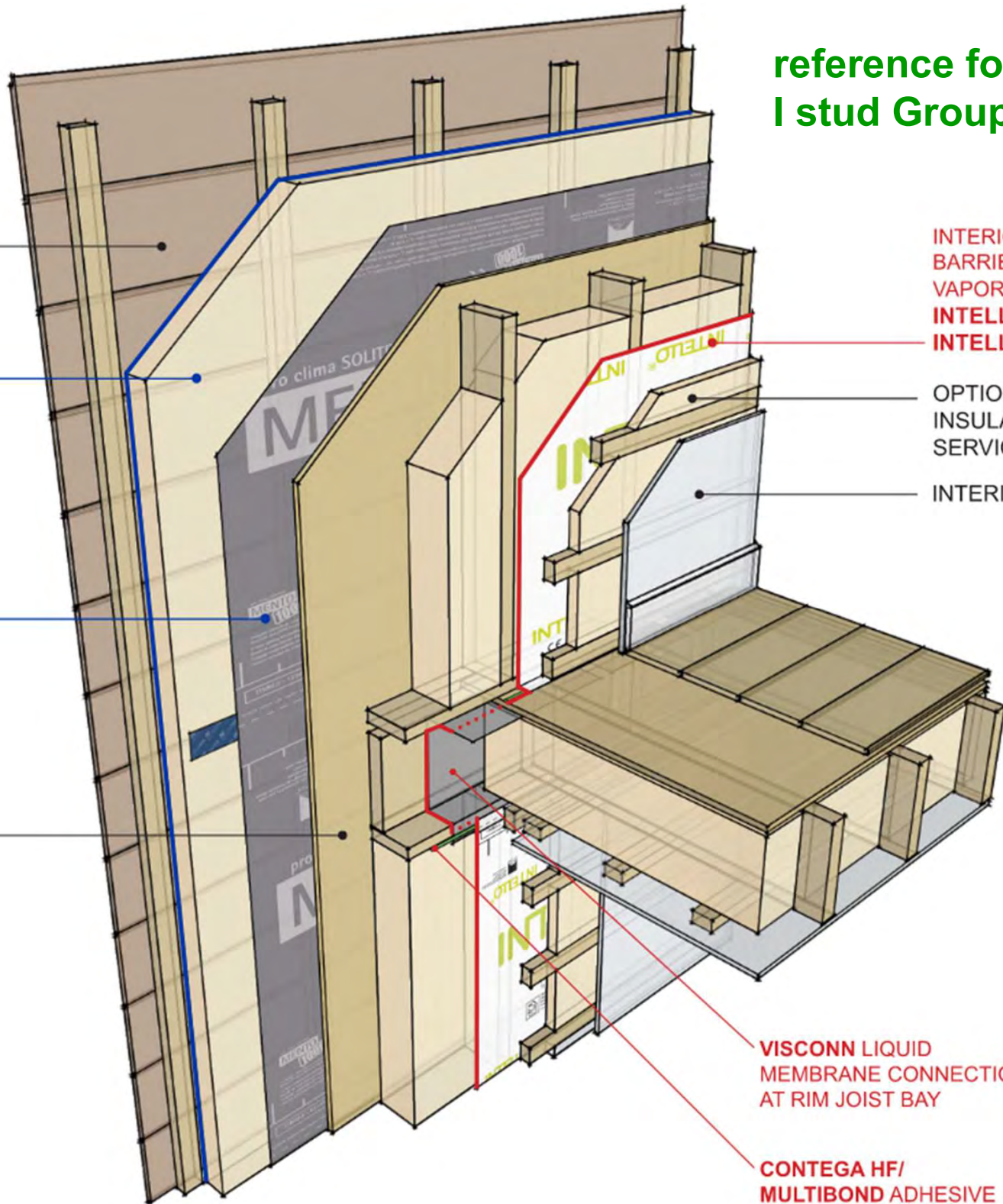
INTERIOR AIR
BARRIER & SMART
VAPOR RETARDER:
INTELLO PLUS OR
INTELLO X

OPTIONAL
INSULATION IN
SERVICE CAVITY

INTERIOR FINISH

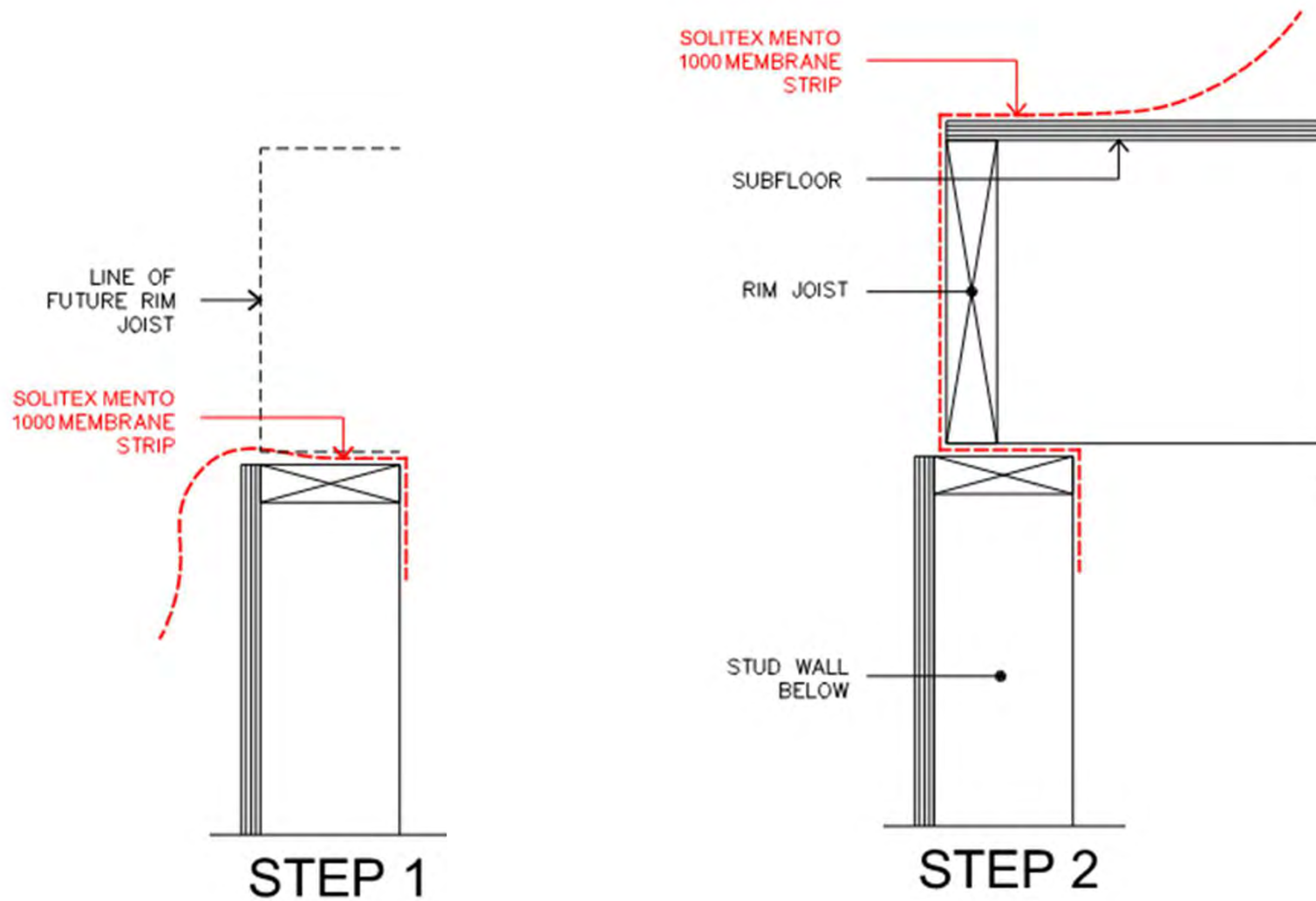
VISCONN LIQUID
MEMBRANE CONNECTION
AT RIM JOIST BAY

CONTEGA HF/
MULTIBOND ADHESIVE



EXTERIOR WALL 2X FRAMING ASSEMBLIES

reference for
I stud Group 4



reference for I stud Group 4



Image: Pro Clima






475 High Performance Building Supply
<https://foursevenfive.com/>

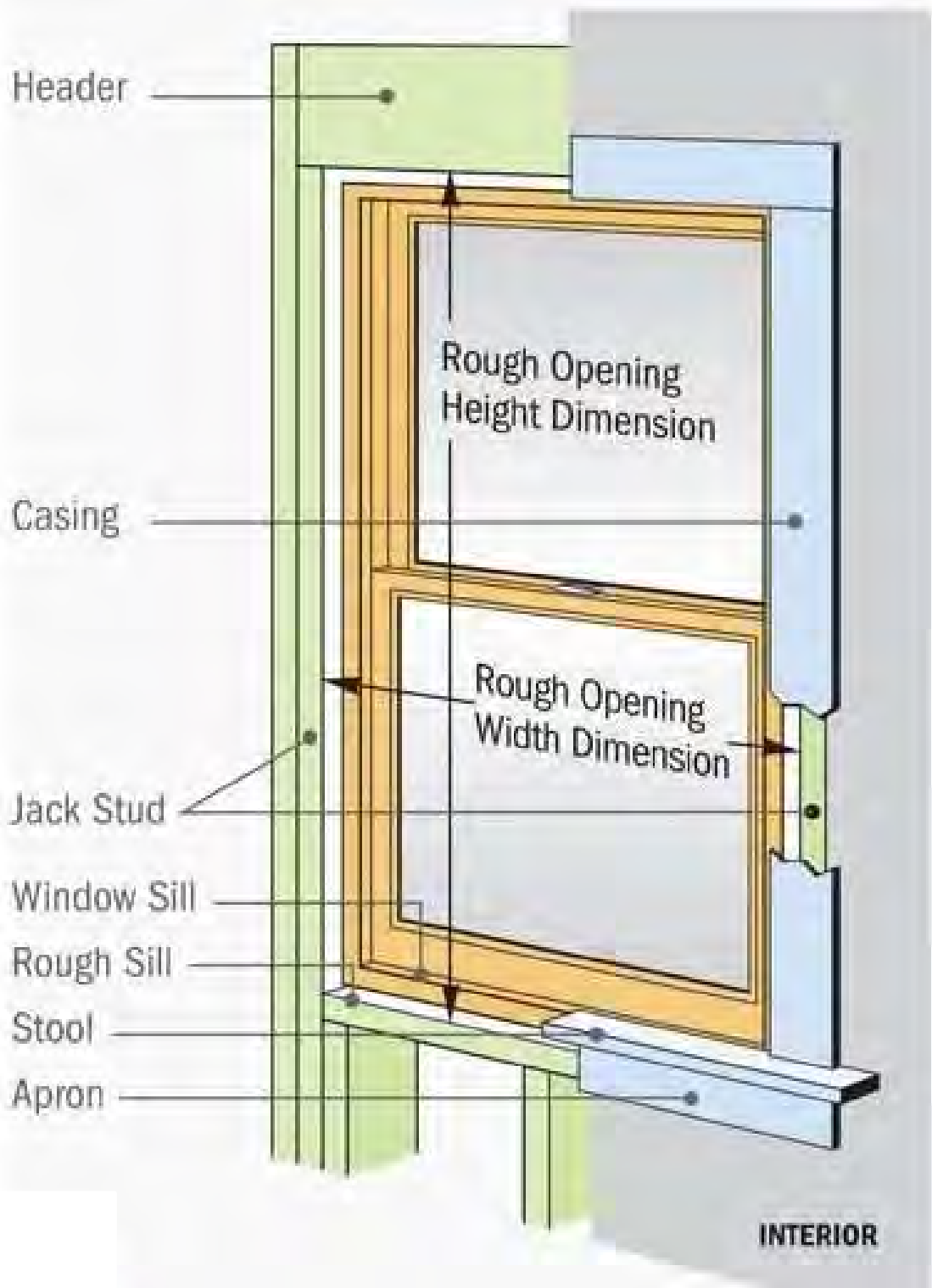
reference for I stud Group 4



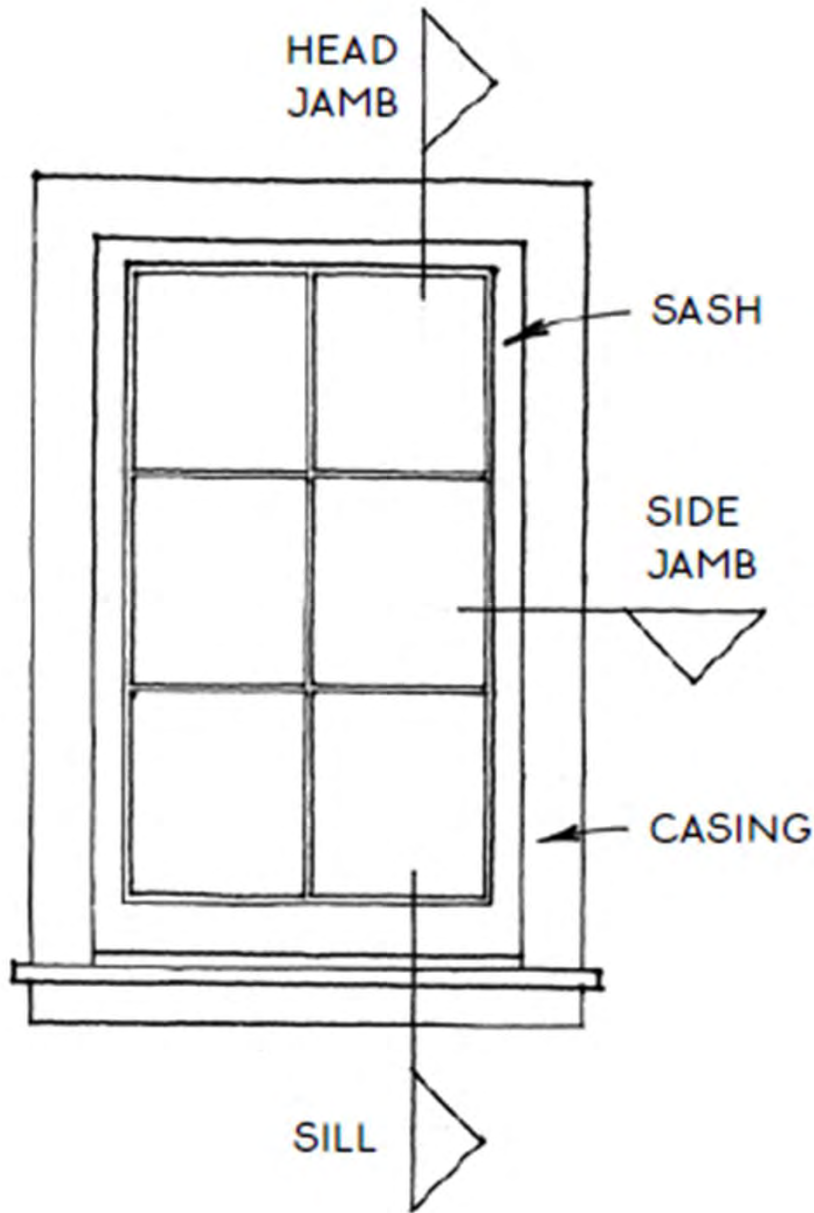
Trimmer Studs or Jack Stud

KEY

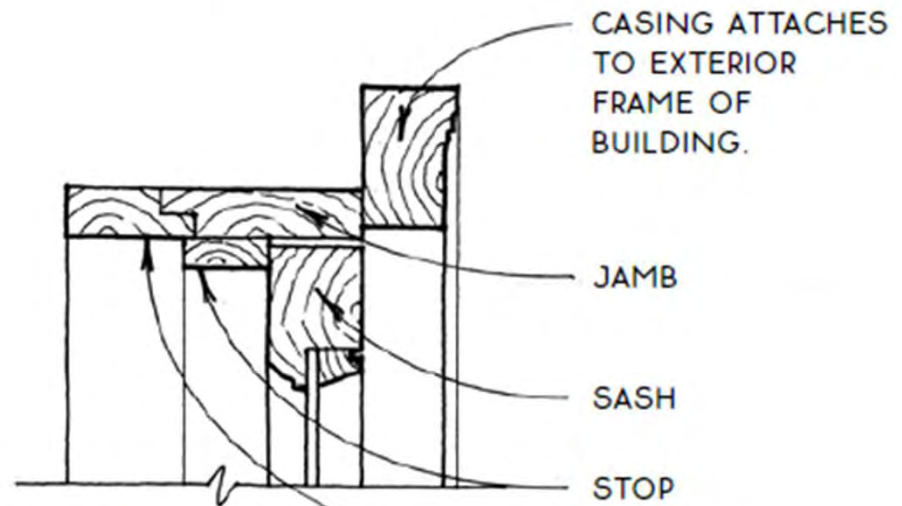
-  Window unit.
-  Typical wall framing members
-  Gap between window and rough opening.
-  Interior casing or window trim.
-  Interior wall.



PENETRATIONS:

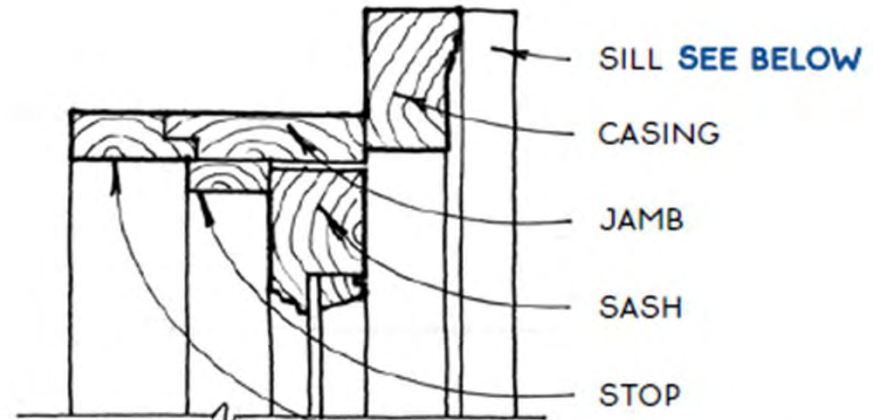


Traditional Window



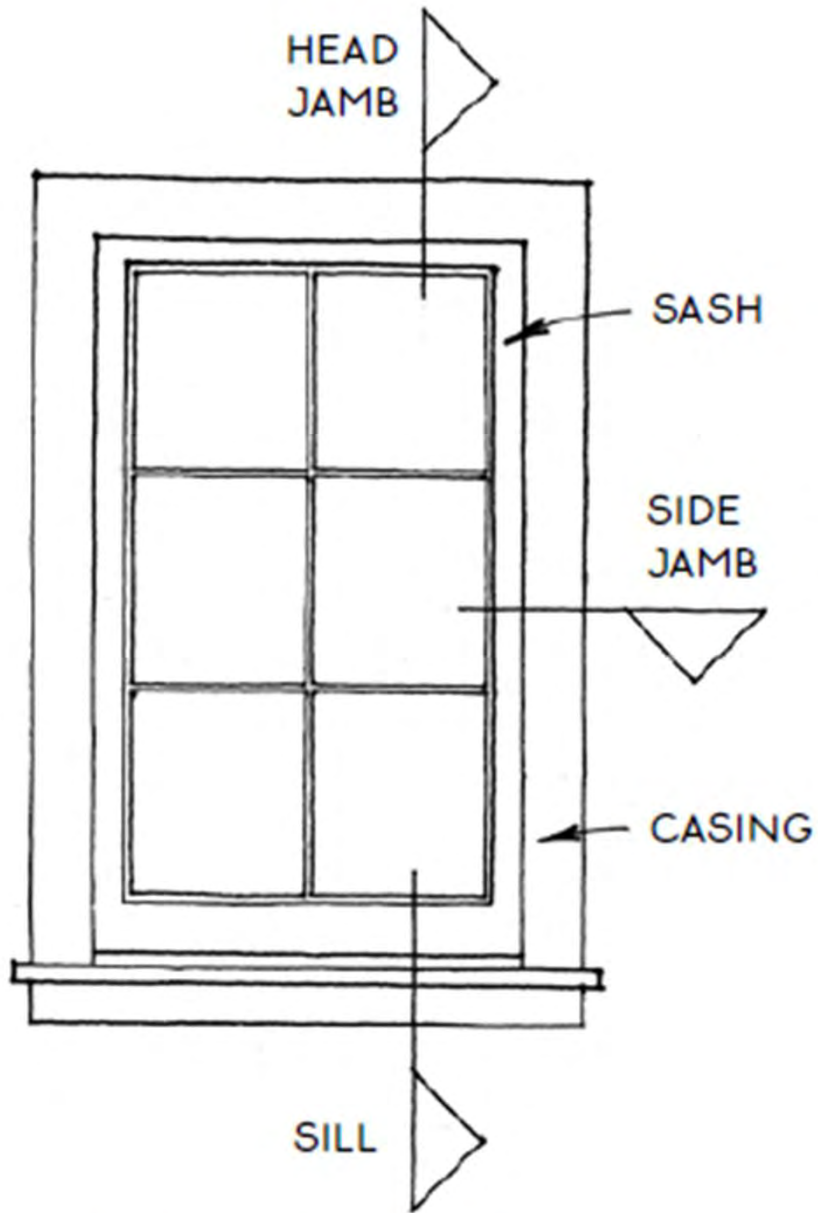
Head Jamb

JAMB EXENDER ADJUSTS JAMB WIDTH TO WALL THICKNESS.

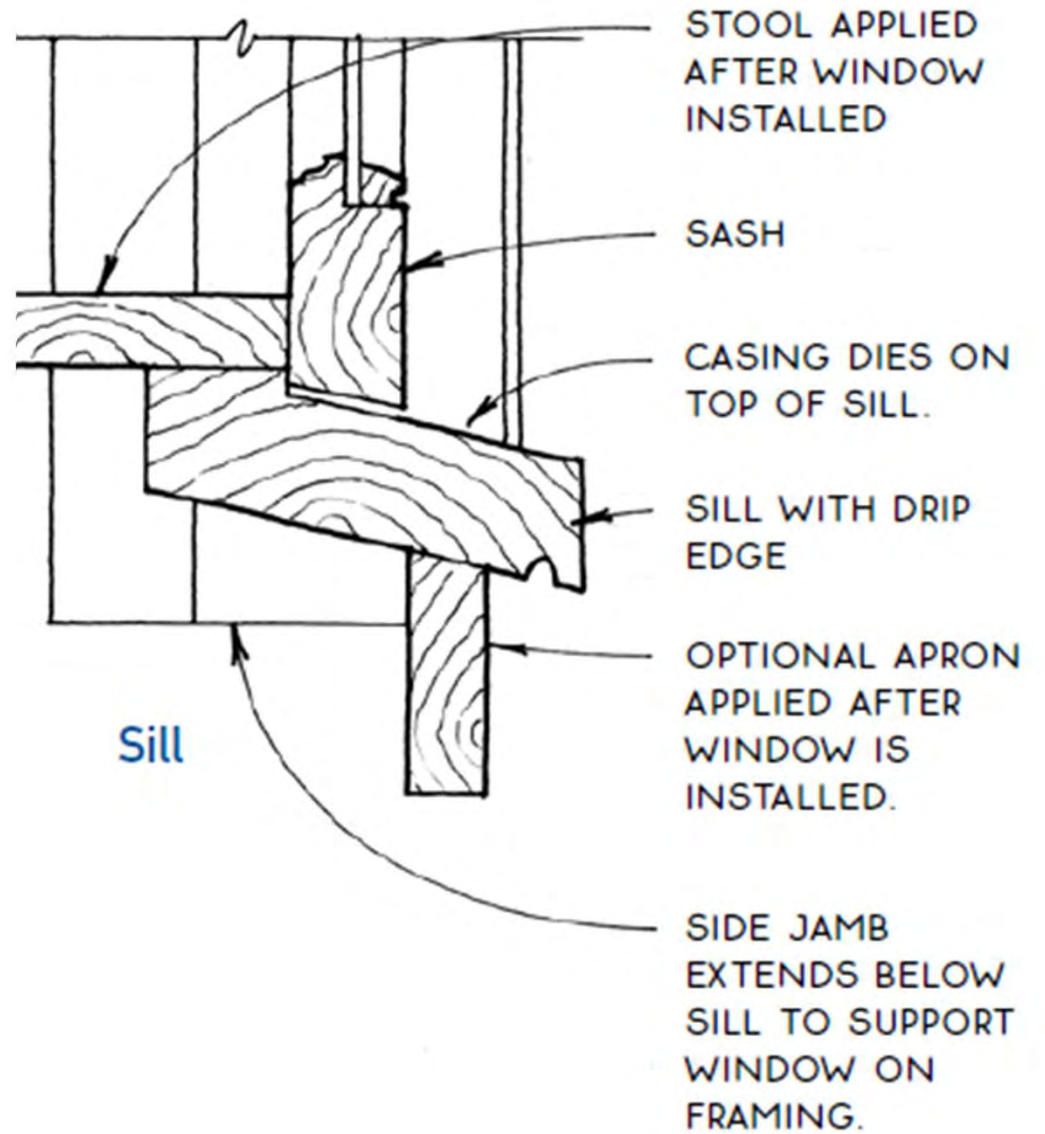


Side Jamb

PENETRATIONS:



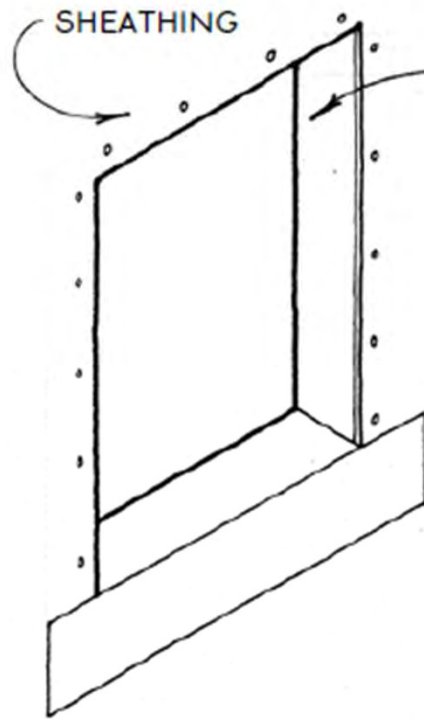
Traditional Window





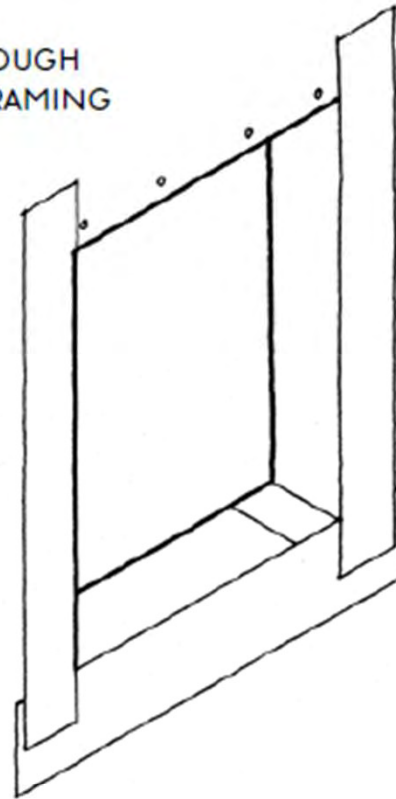


PENETRATIONS:

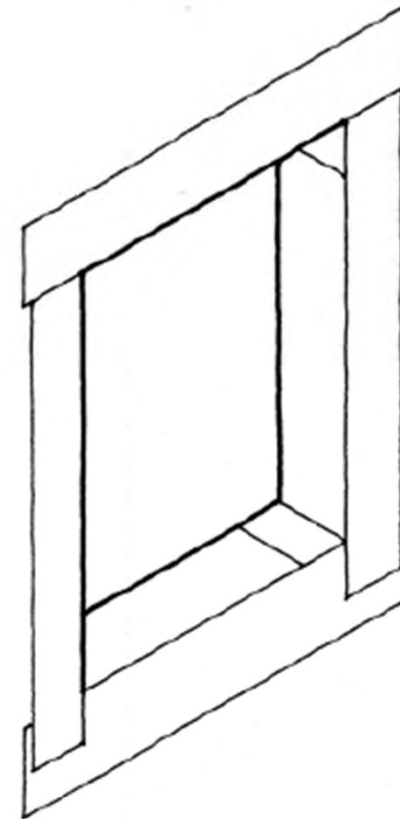


1.) STAPLE MOISTURE BARRIER TO SILL & FOLD 6 IN. DOWN, EXTENDING 6 IN. TO EACH SIDE. DO NOT STAPLE LOWER EDGE, IT WILL LAP WALL MOISTURE BARRIER.

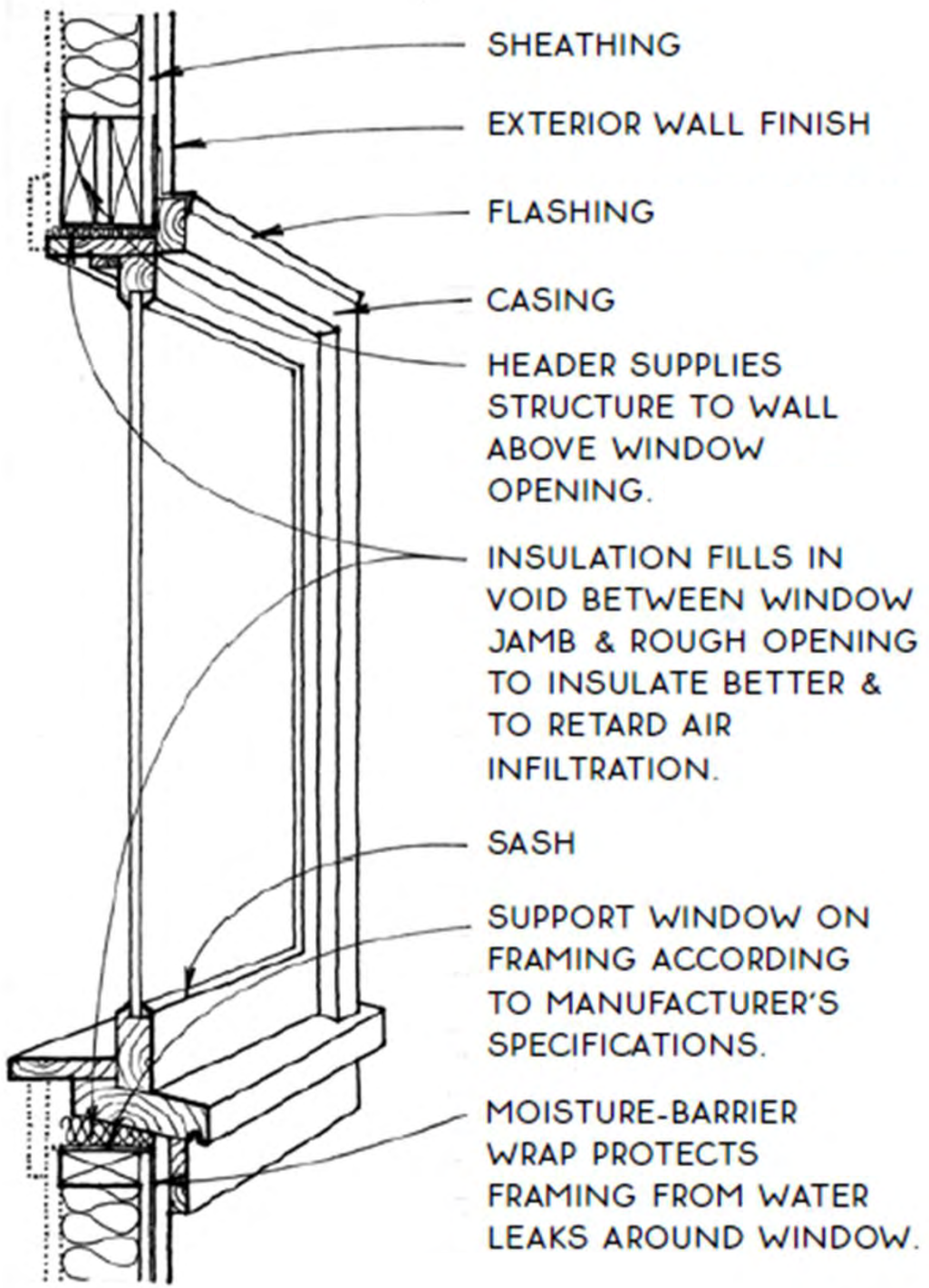
ROUGH FRAMING



2.) STAPLE MOISTURE BARRIER TO JAMBS OF ROUGH OPENING & FOLD 6 IN. OVER SHEATHING & 6 IN. ABOVE & BELOW ROUGH OPENING.



3.) REPEAT STEP 2, BUT FOR TOP OF ROUGH OPENING. LEAVE OUTER EDGES UNSTAPLED FOR FUTURE INTEGRATION WITH WALL MOISTURE BARRIER.



SHEATHING

EXTERIOR WALL FINISH

FLASHING

CASING

HEADER SUPPLIES STRUCTURE TO WALL ABOVE WINDOW OPENING.

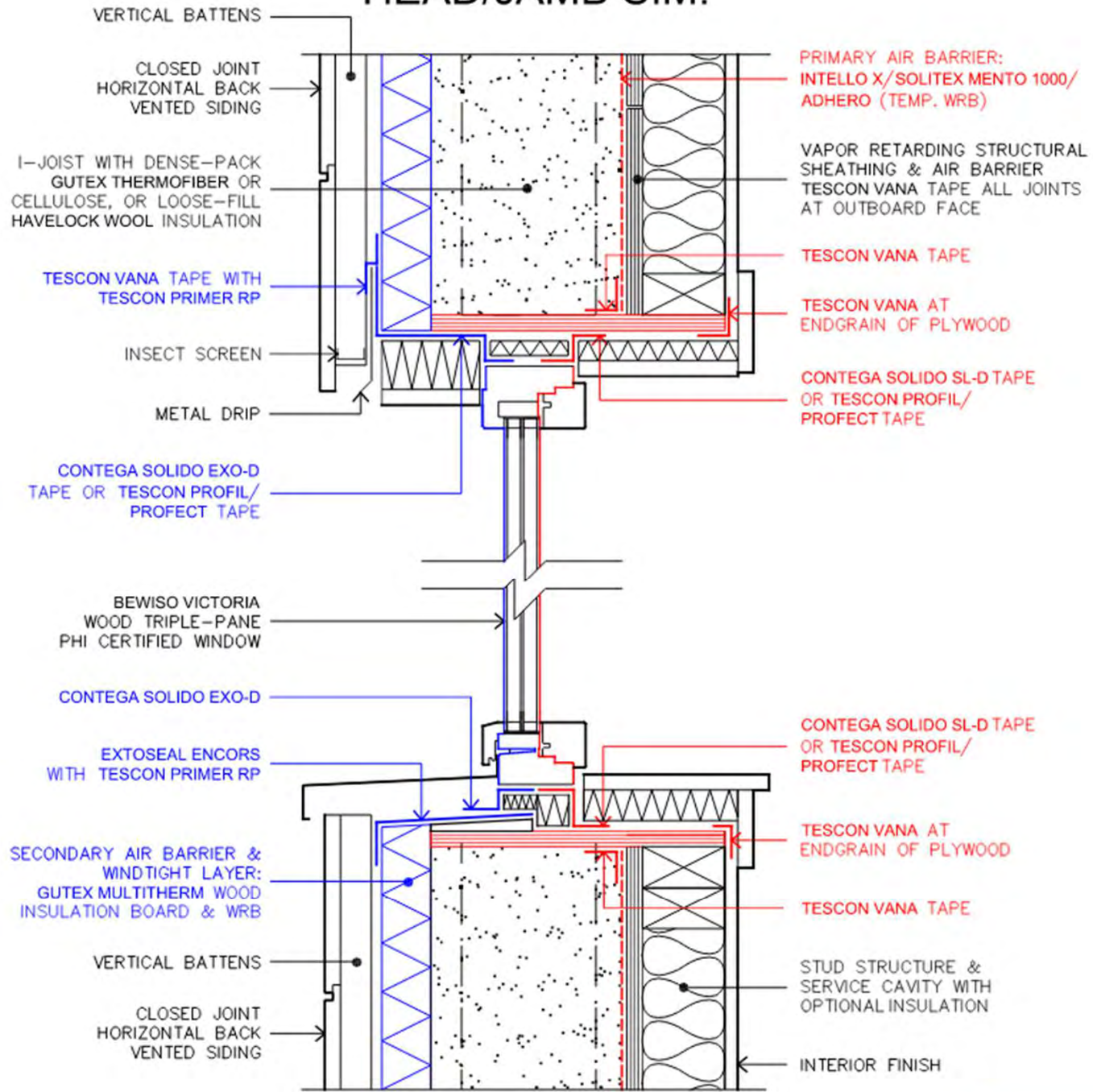
INSULATION FILLS IN VOID BETWEEN WINDOW JAMB & ROUGH OPENING TO INSULATE BETTER & TO RETARD AIR INFILTRATION.

SASH

SUPPORT WINDOW ON FRAMING ACCORDING TO MANUFACTURER'S SPECIFICATIONS.

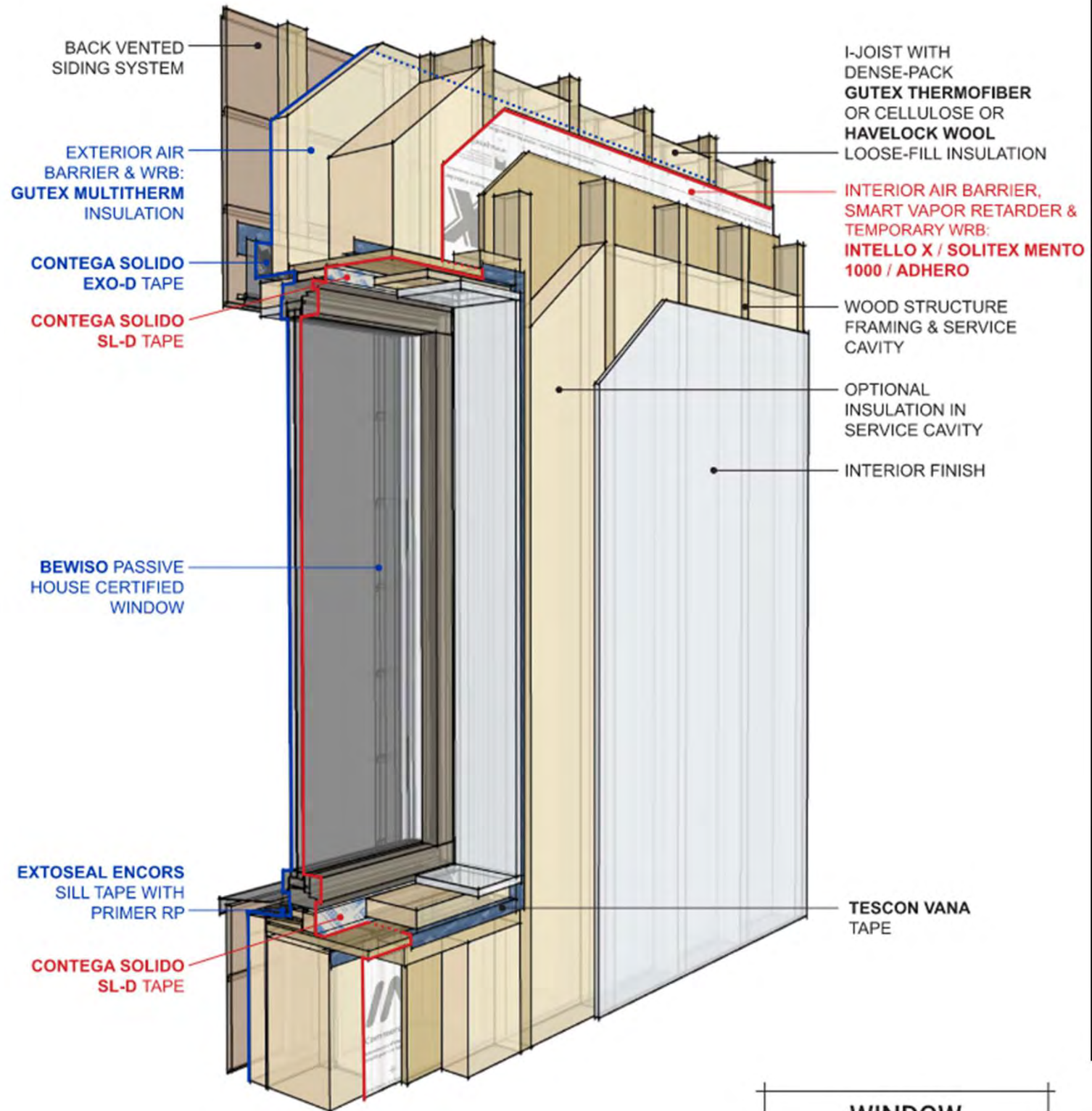
MOISTURE-BARRIER WRAP PROTECTS FRAMING FROM WATER LEAKS AROUND WINDOW.

HEAD/JAMB SIM.

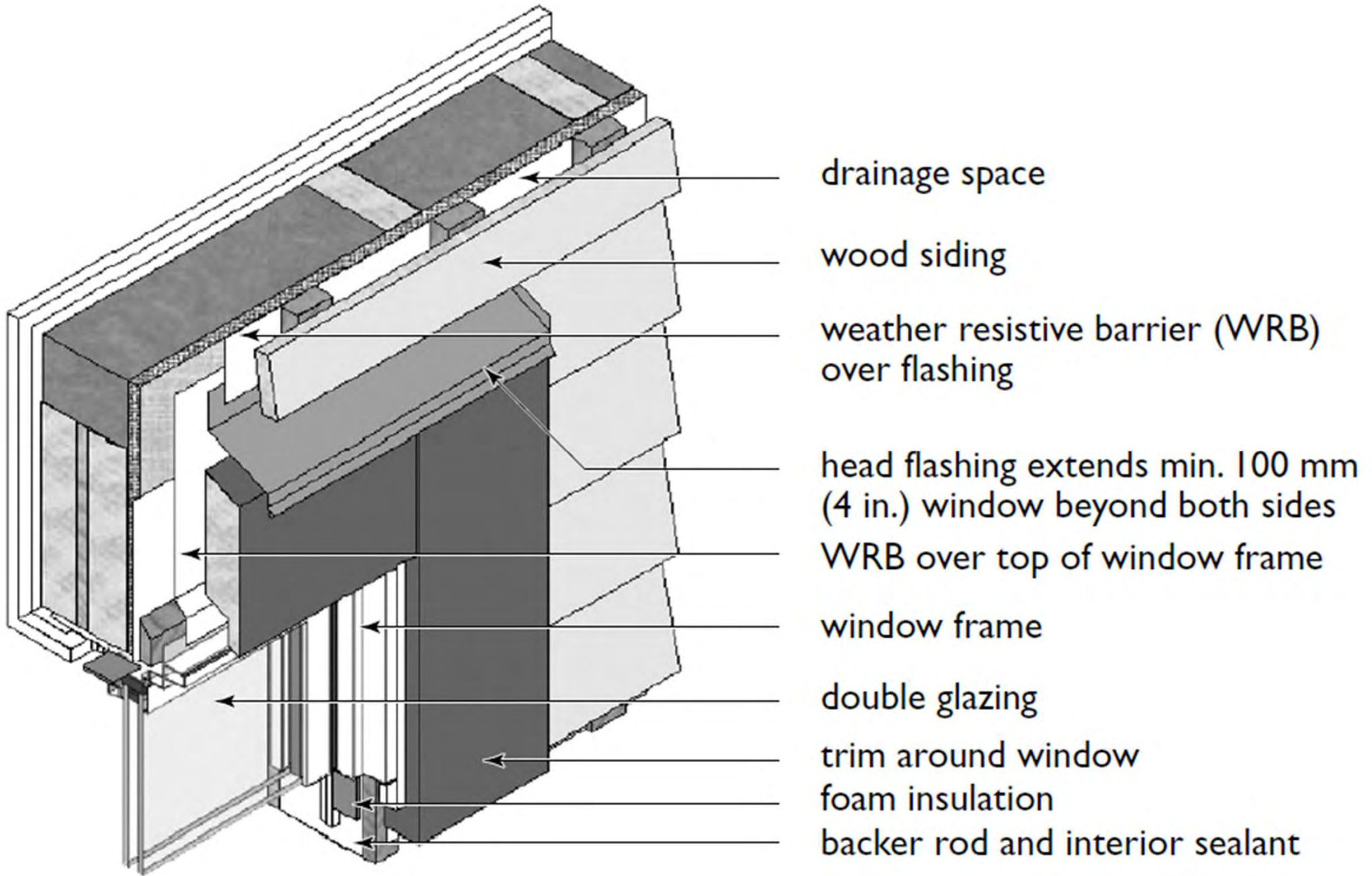


SILL

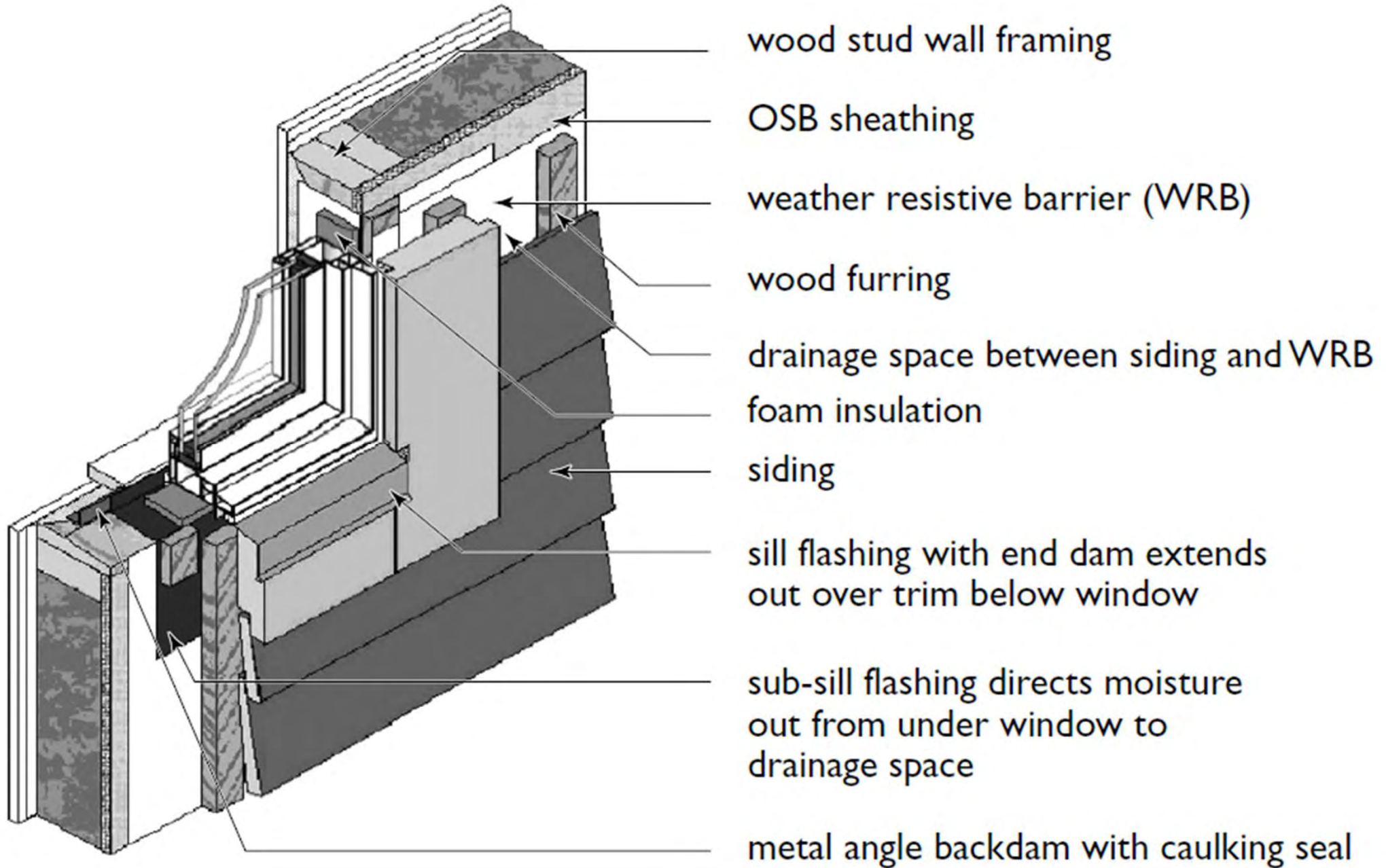
NOTE:
FOR OPEN JOINT SIDING
USE SOLITEX FRONTO
QUATTRO WITH BATT
INSULATION



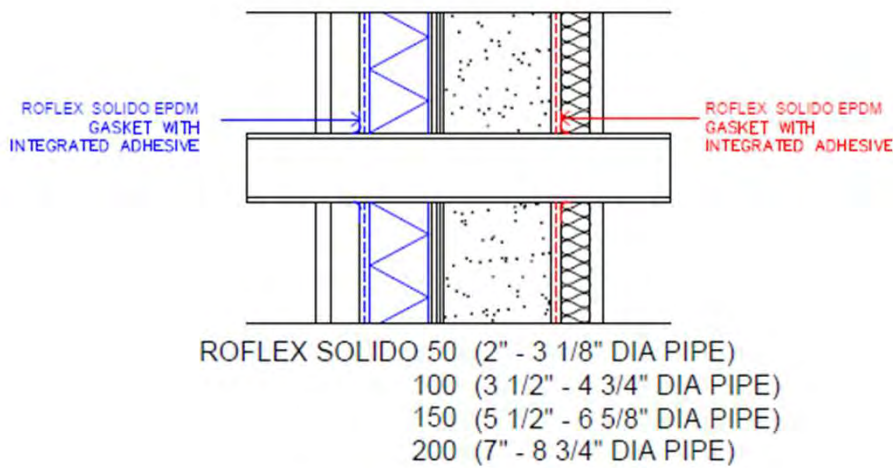
Air barrier and moisture management details at window head



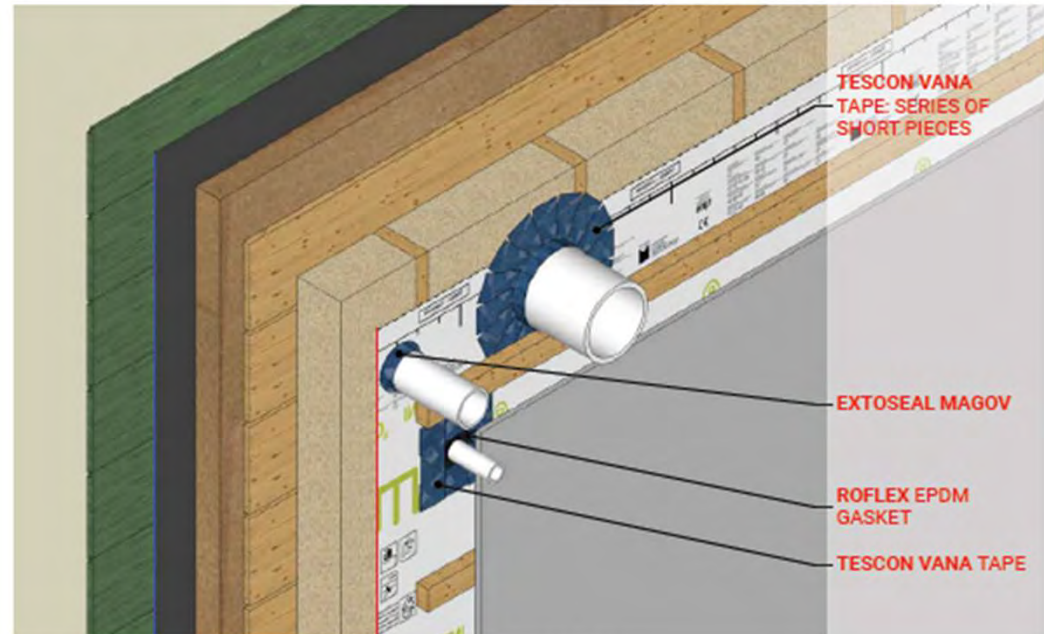
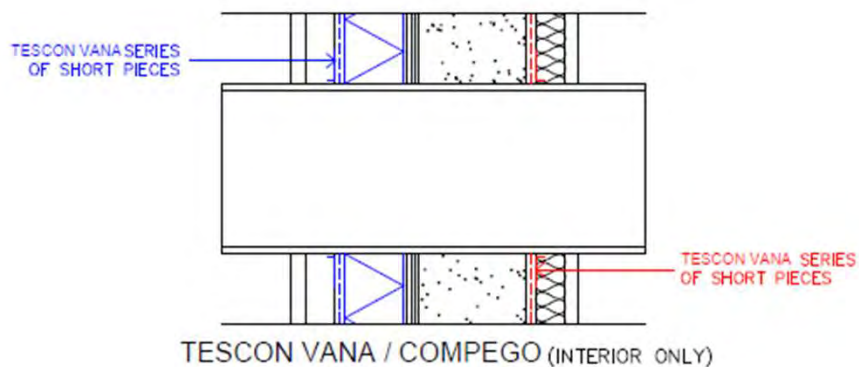
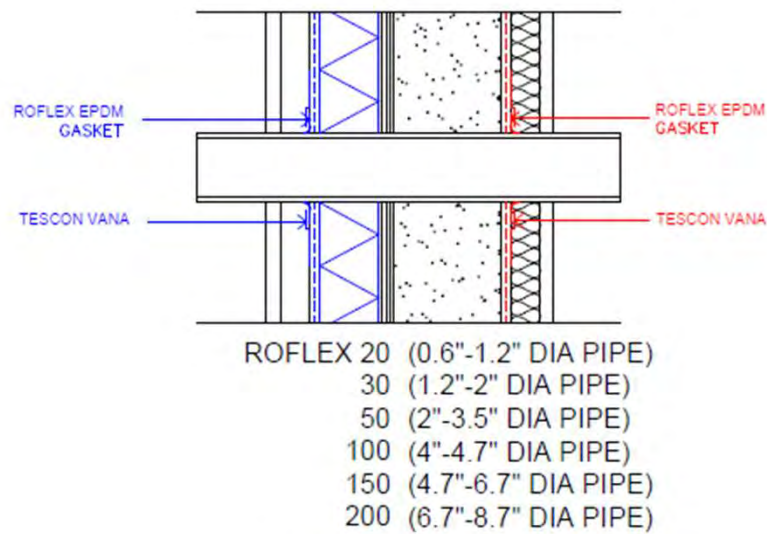
Air barrier and moisture management details at window sill







Roflex 50 at roof exterior pipe penetration (left)
 Roflex 100 at wall exterior pipe penetration containing HVAC lines to be sealed at interior air barrier (right)



View of pipe penetrations at interior



Roflex 100



Kaflex Mono



Roflex 50



Kaflex Post



Roflex 20



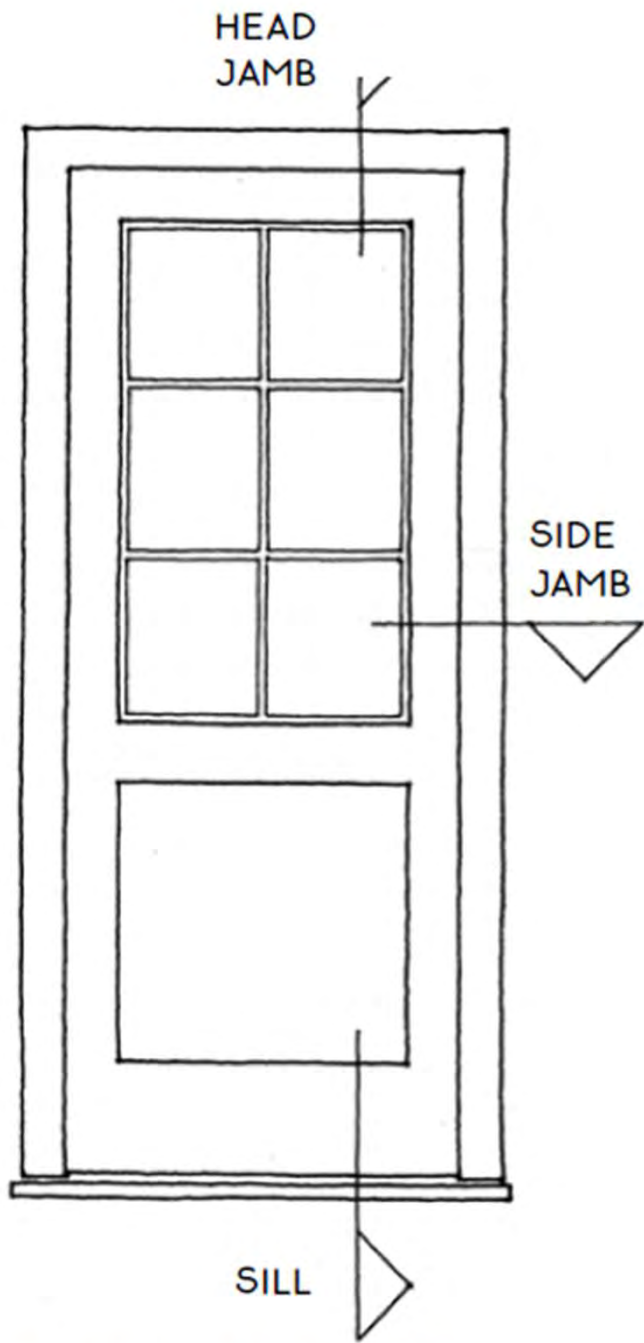
Kaflex Multi



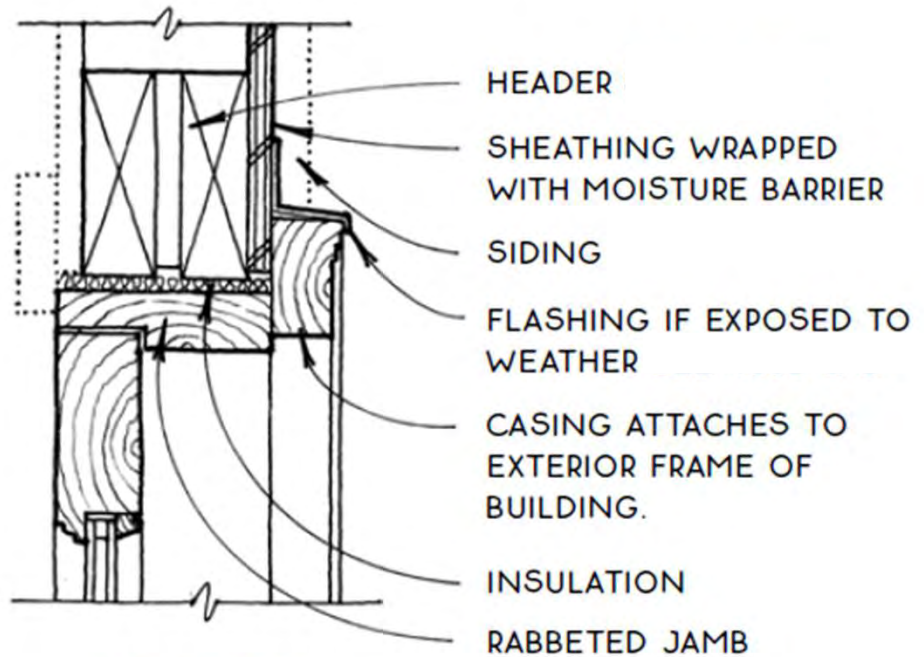
Applying EXTONSEAL Encors and EXTONSEAL Finoc at floor-to-ceiling window (or door). Finoc is used as a capillary break at wall to floor connections. Encors is a self-sealing sill tape for watertight screw/nail penetrations.



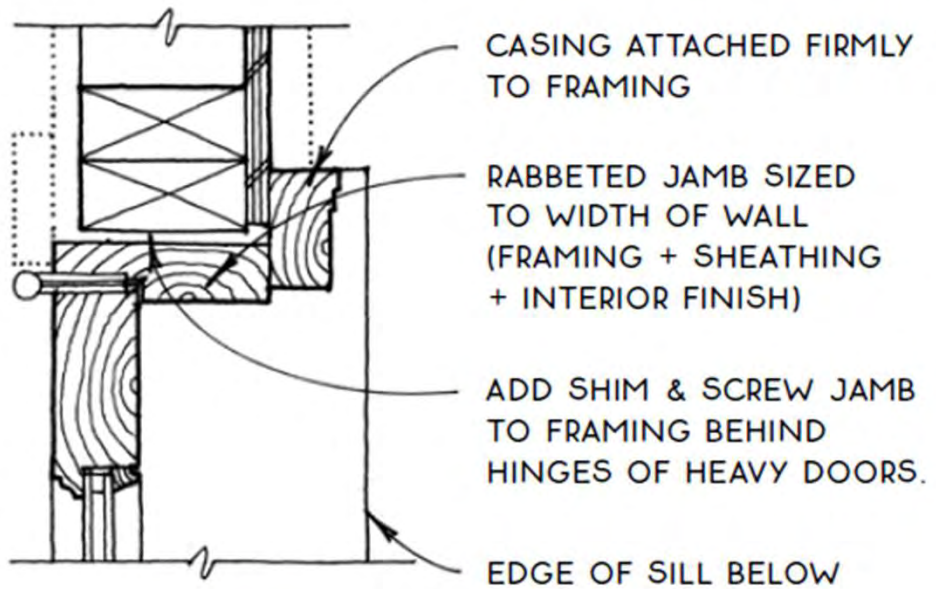
Exterior window with SOLITEX Mento Plus wrapped into rough opening. Taped connections include membrane seams (TESCON Vana) and window frame connections (TESCON Profil).



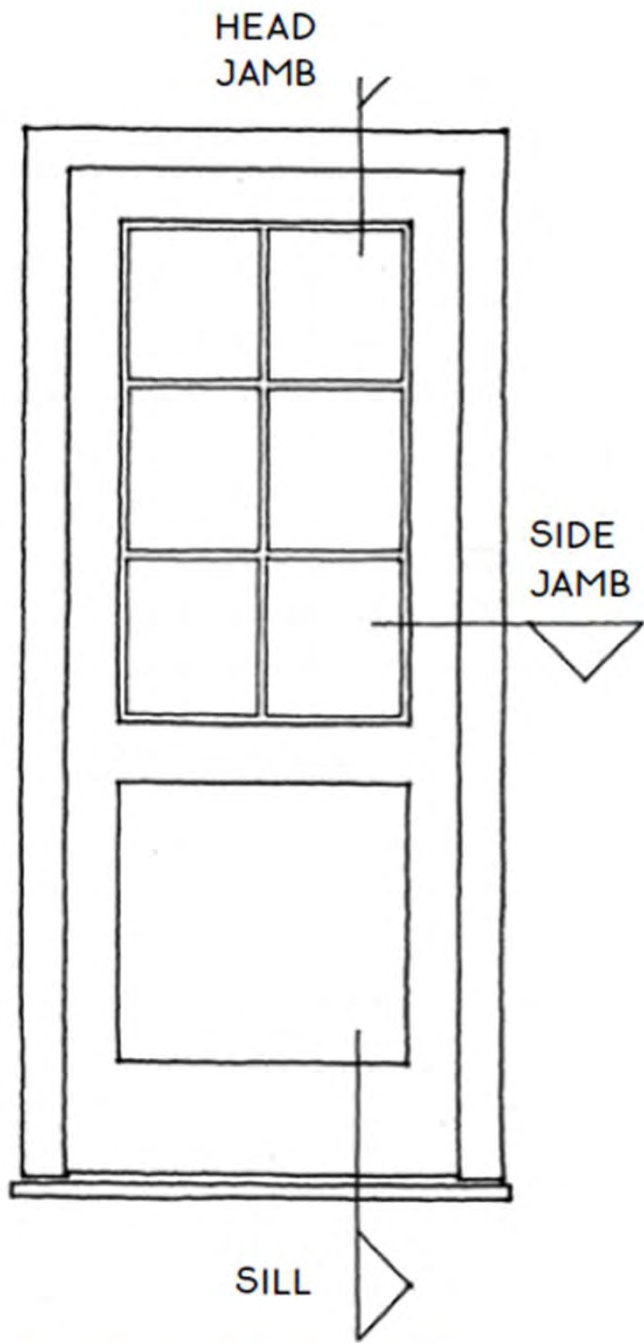
Traditional Exterior Door



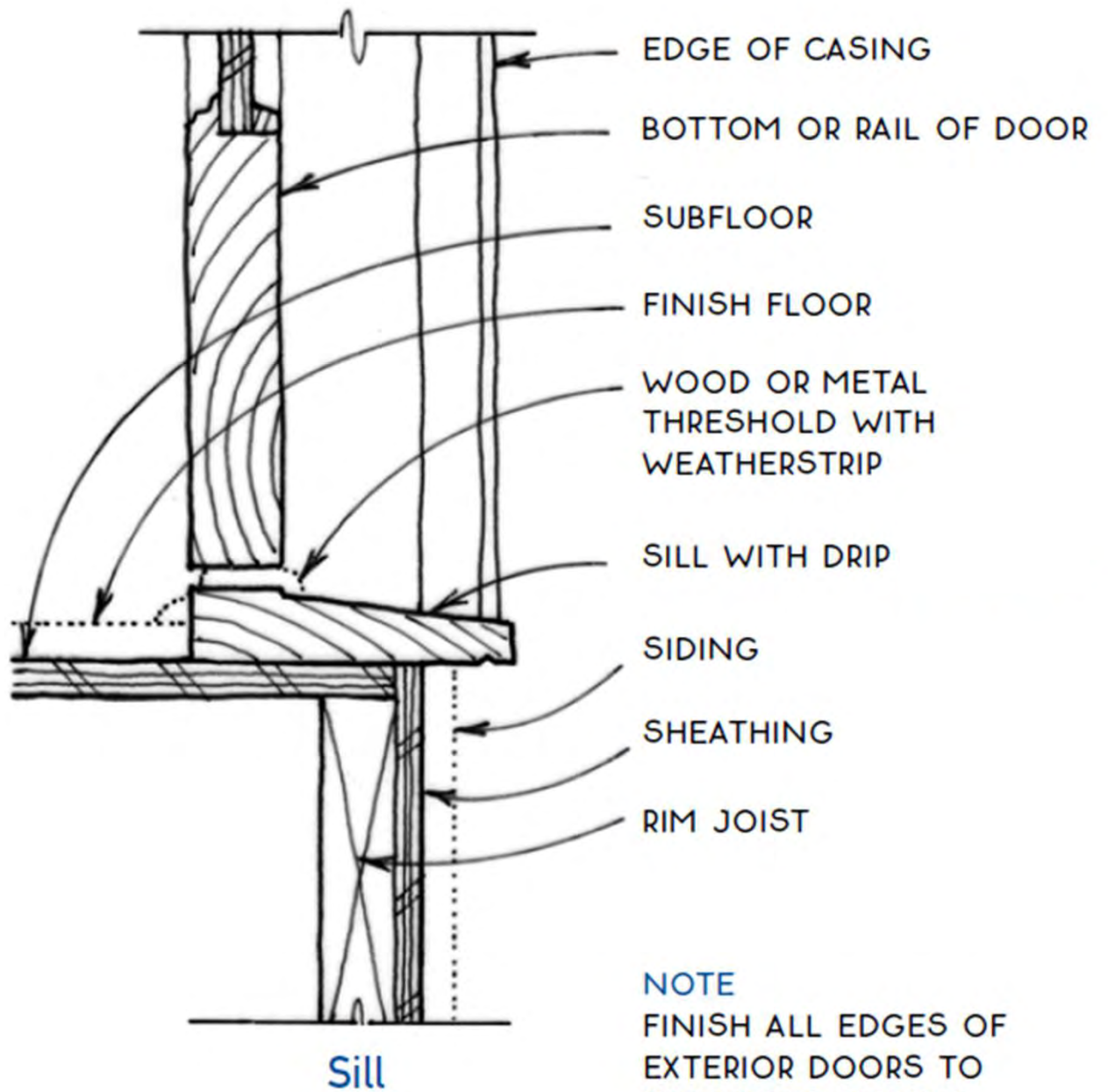
Head Jamb



Side Jamb

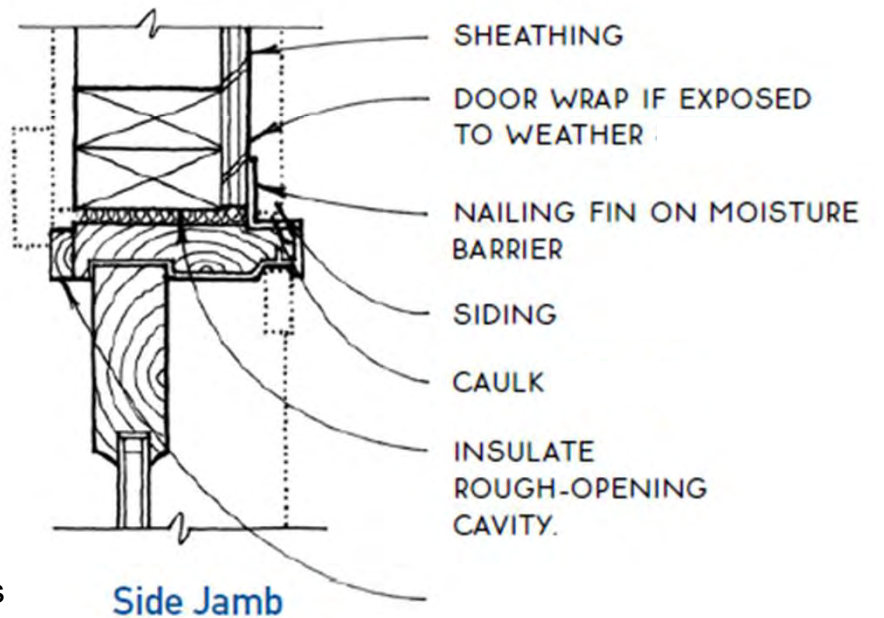
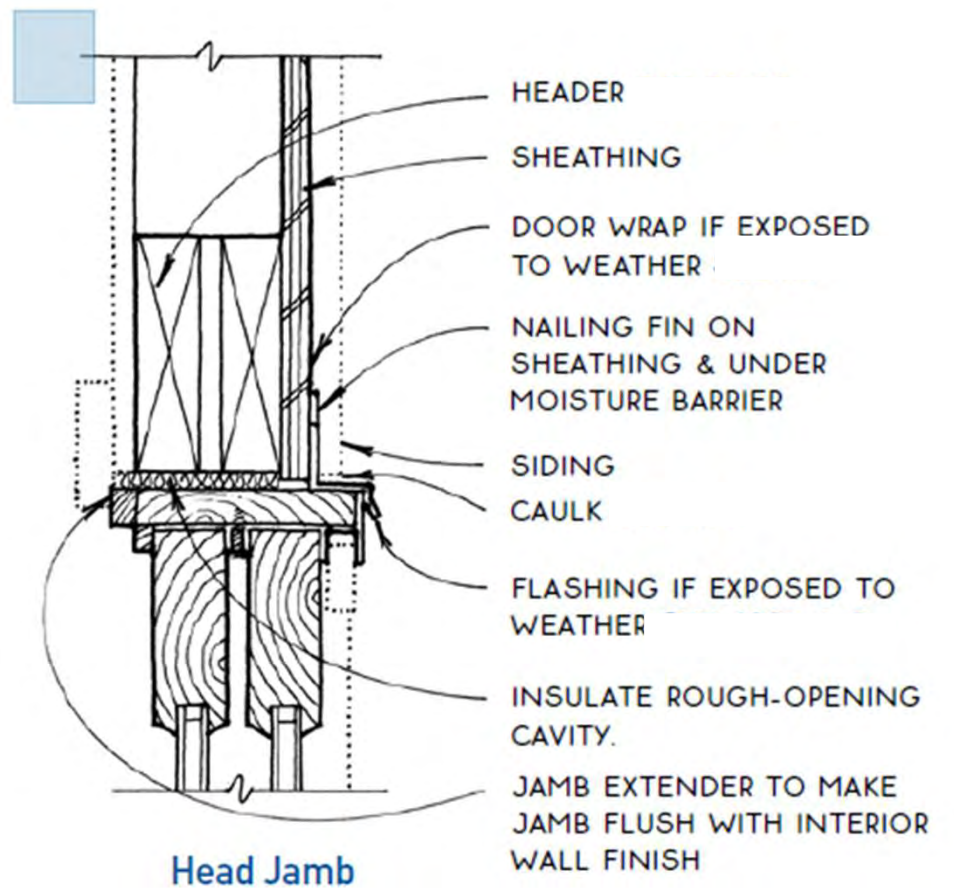
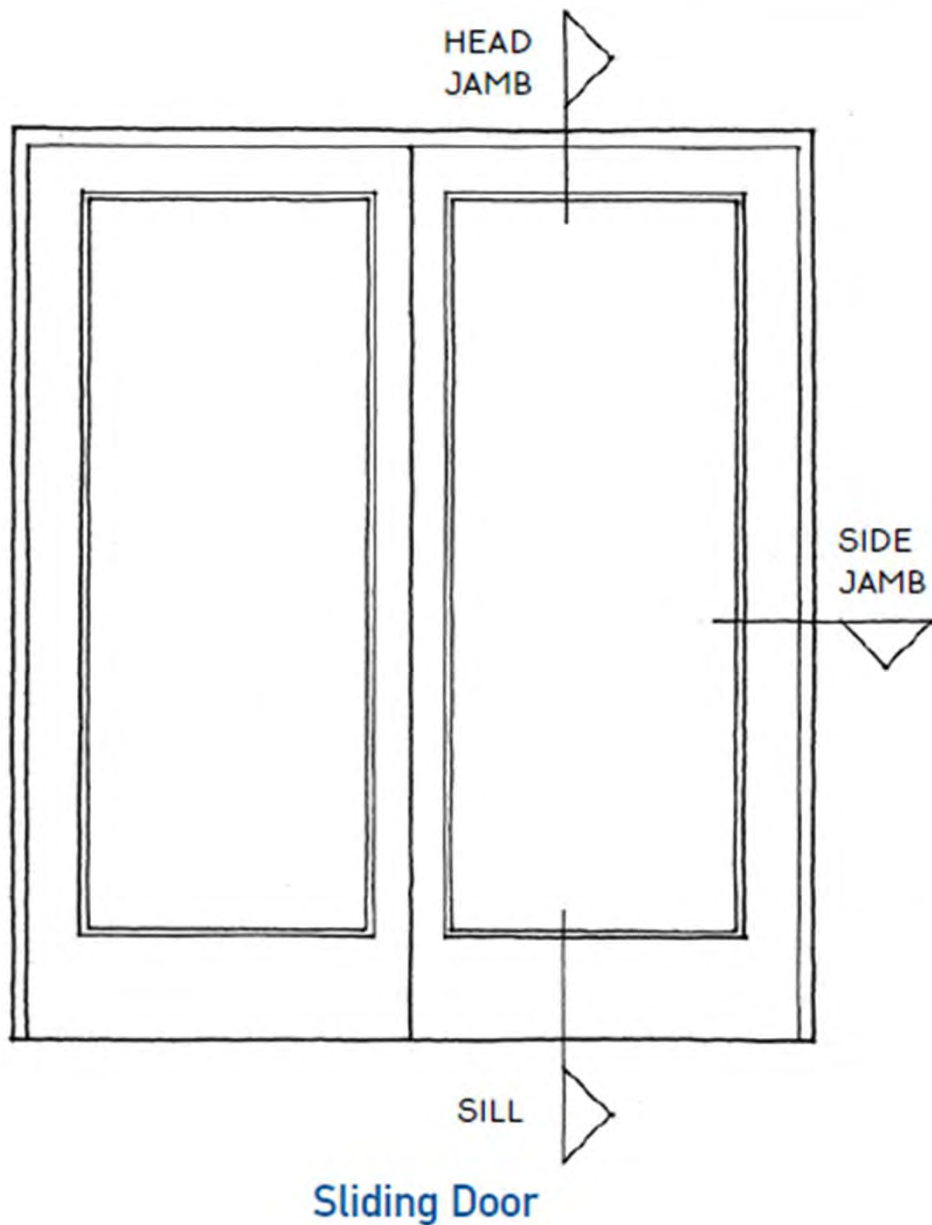


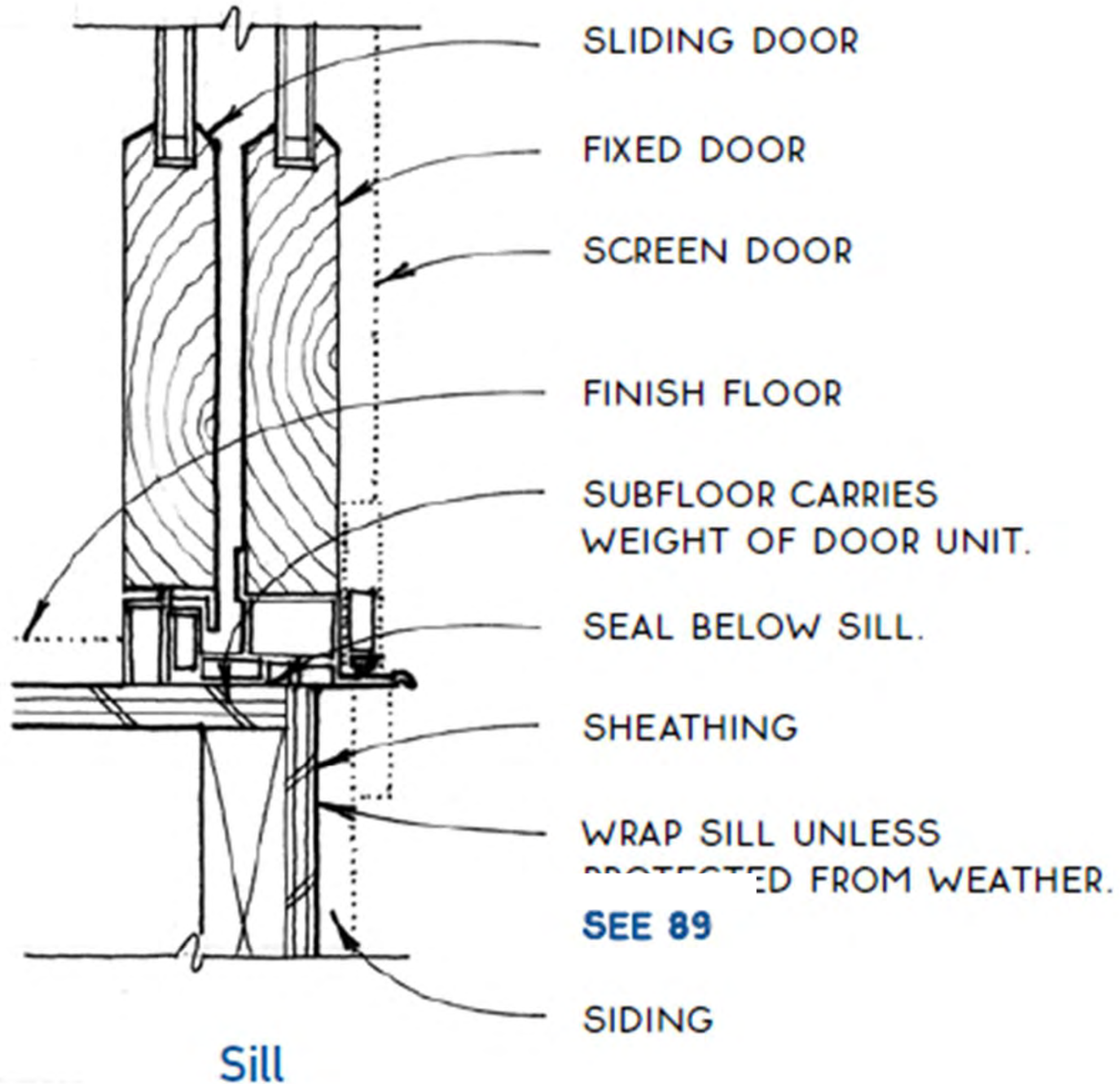
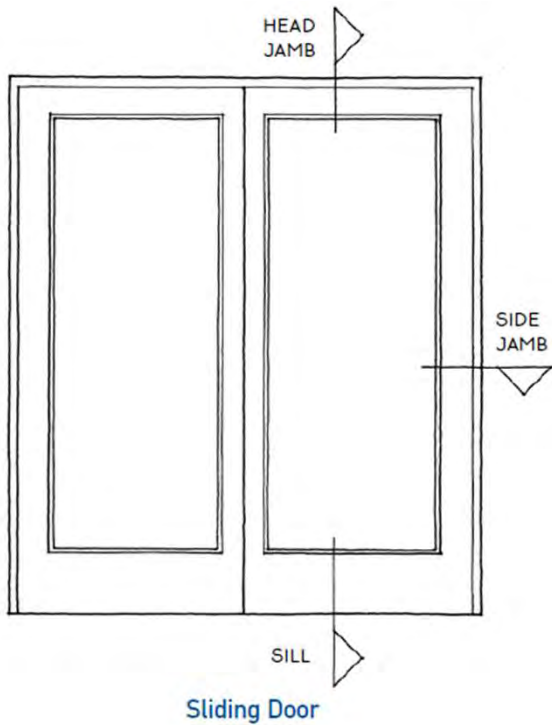
Traditional Exterior Door



NOTE
FINISH ALL EDGES OF EXTERIOR DOORS TO PREVENT SWELLING.







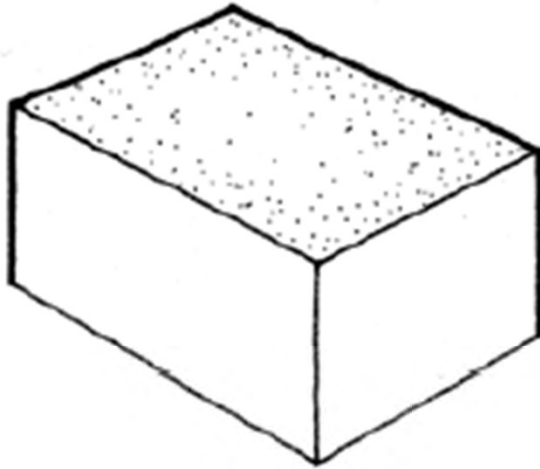


<http://riverdalenetzero.ca/Home.html>

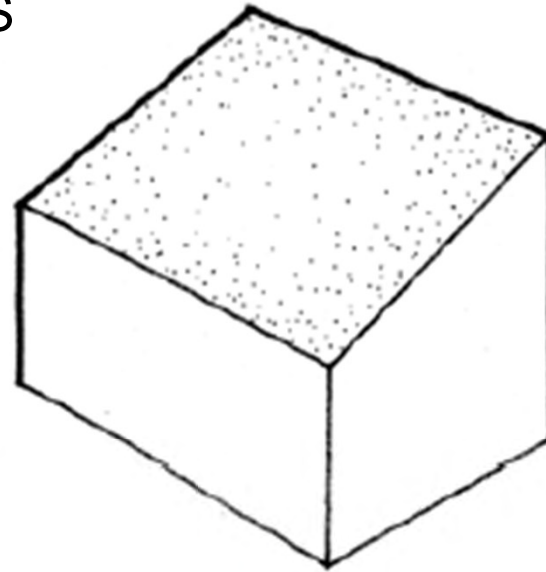
http://riverdalenetzero.ca/PHOTOS/WALL_DETAILS/RNZ%20model%20wall.JPG



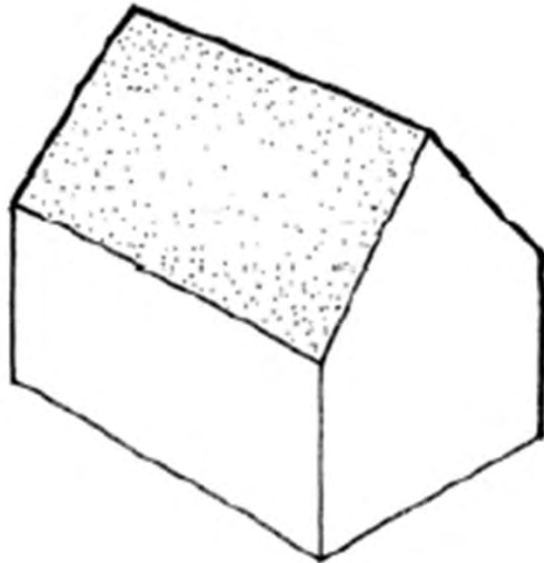
ROOFS



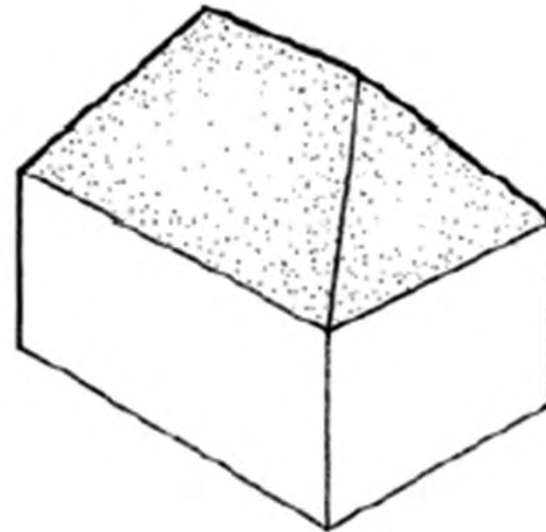
FLAT



SHED

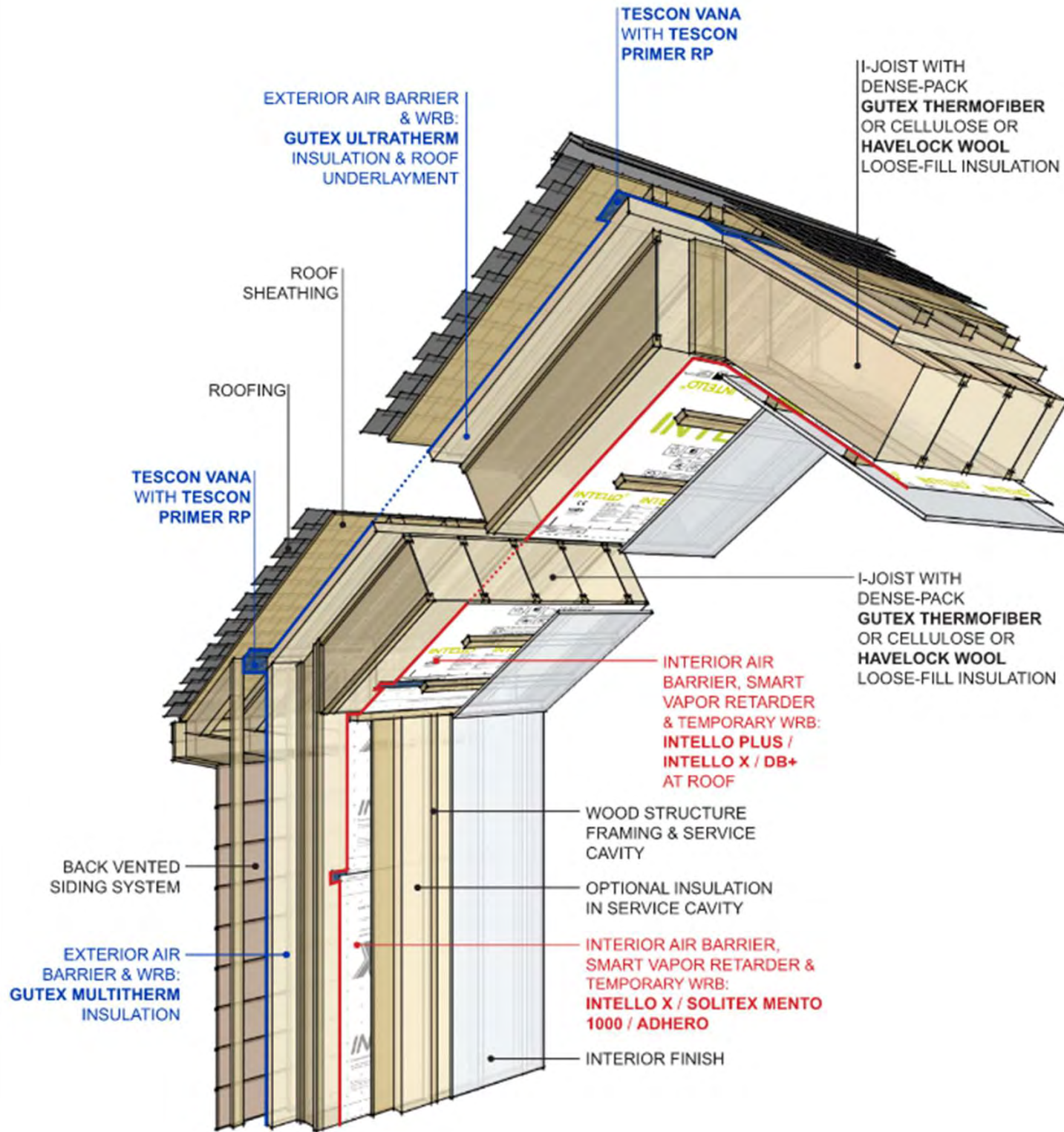


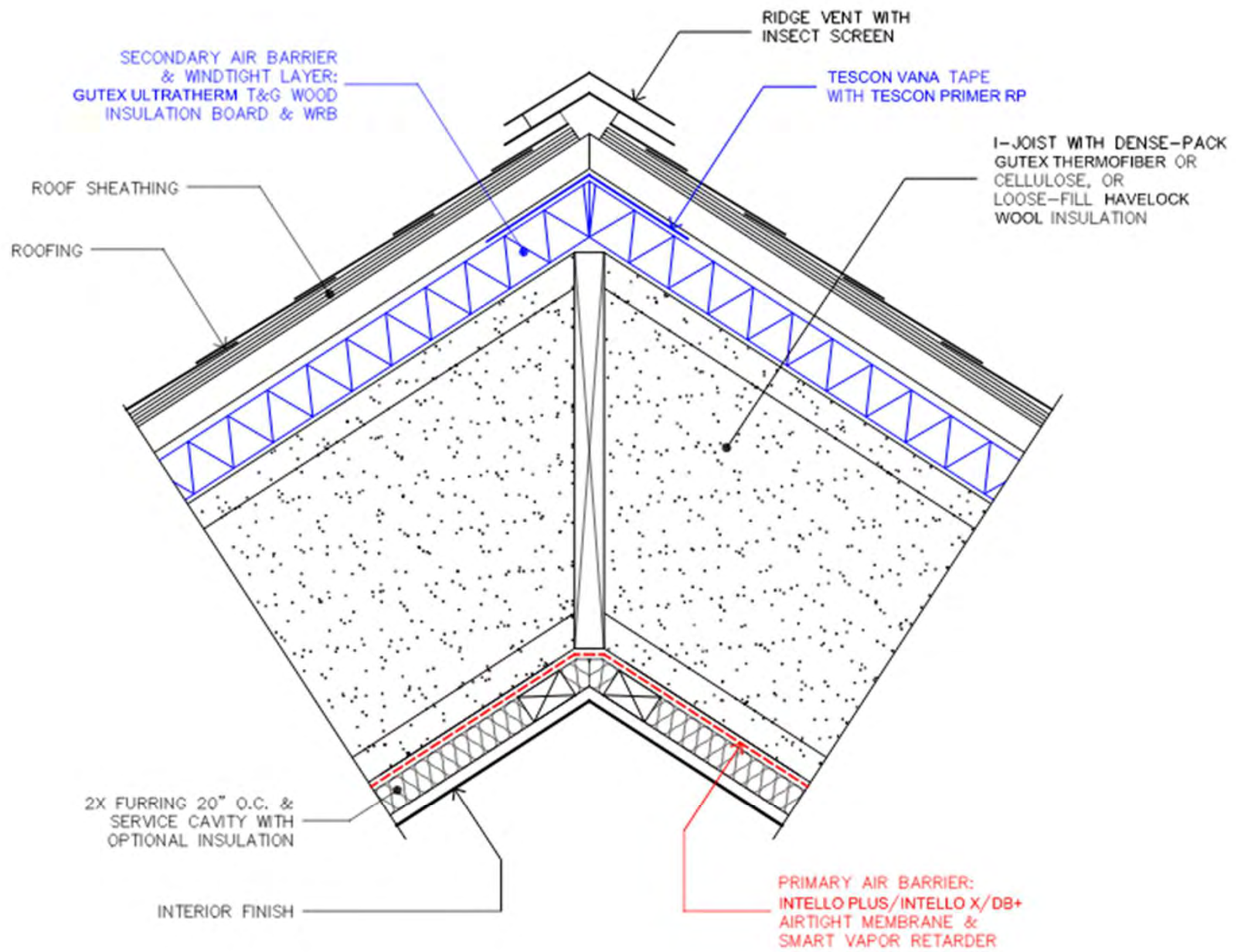
GABLE



HIP



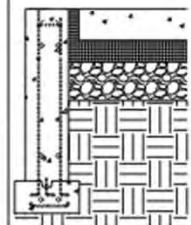




SECTION AT RIDGE

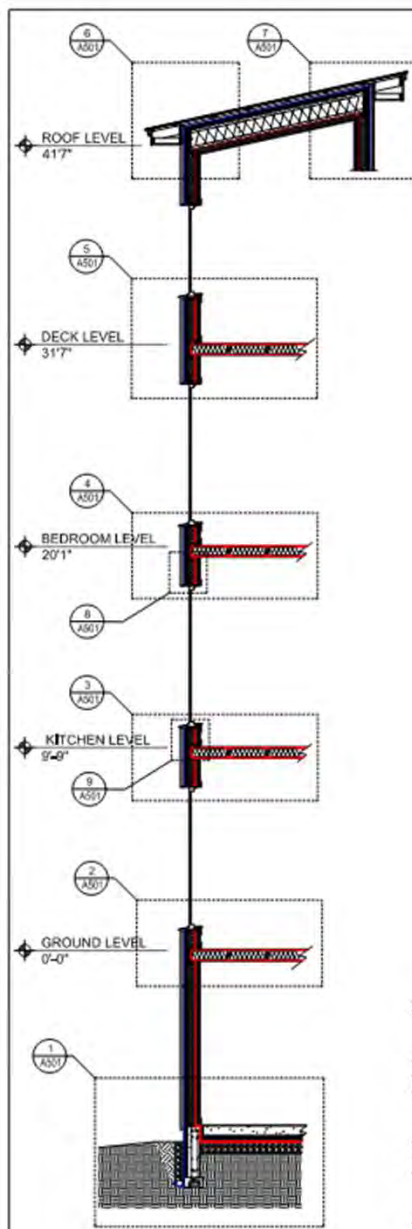


Student Name:
NASR, YOUSIF
Project Office:
Department of Architectural Technology
100 Ave. State, Brooklyn, New York

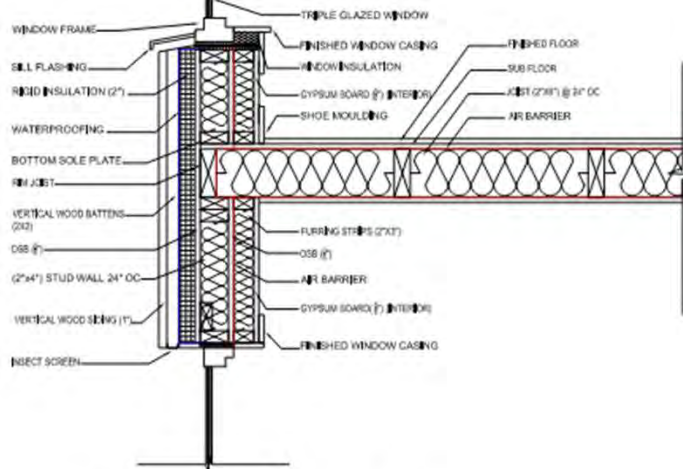


DATE	OCTOBER 05, 2021
2021/10/05	FINAL SUBMISSION

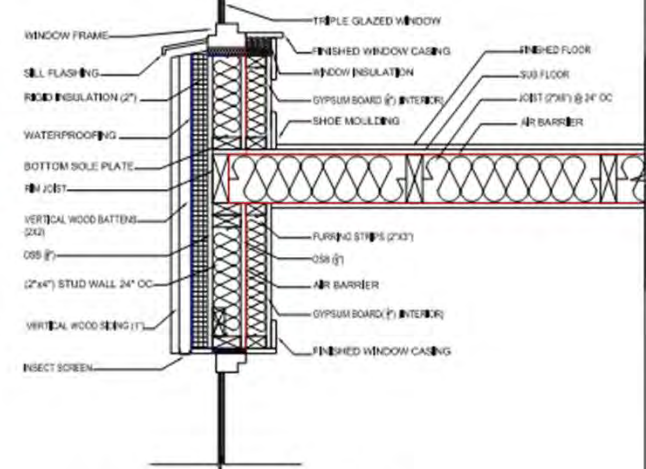
DWG TITLE	
FULL WALL SECTION DETAIL	
SCALE & SIGNATURE	DATE
PROJECT NO.	2021/10/05
PROJECT TITLE	MODULE B
DRAWN BY	YOUSIF NASR
CHECKED BY	APTEGAR
DRAWING NO.	A-501
DATE	14 OF 17



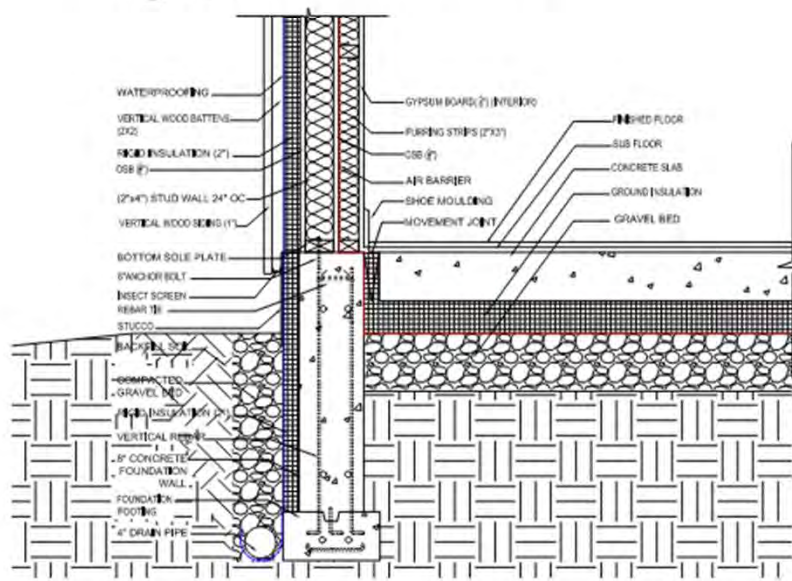
01 WALL SECTION
A-501 1/4"=1'-0"



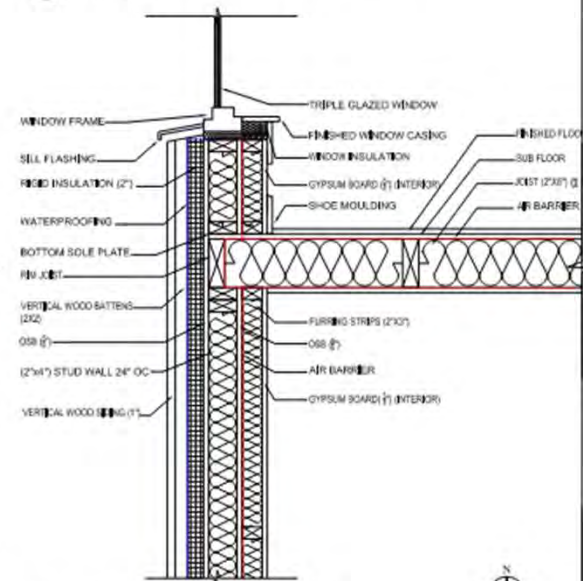
4 BEDROOM LEVEL DETAIL
A-502 1-1/2"=1'-0"



3 KITCHEN LEVEL DETAIL
A-502 1-1/2"=1'-0"



1 FOUNDATION DETAIL
A-502 1-1/2"=1'-0"



2 GROUND LEVEL DETAIL
A-502 1-1/2"=1'-0"





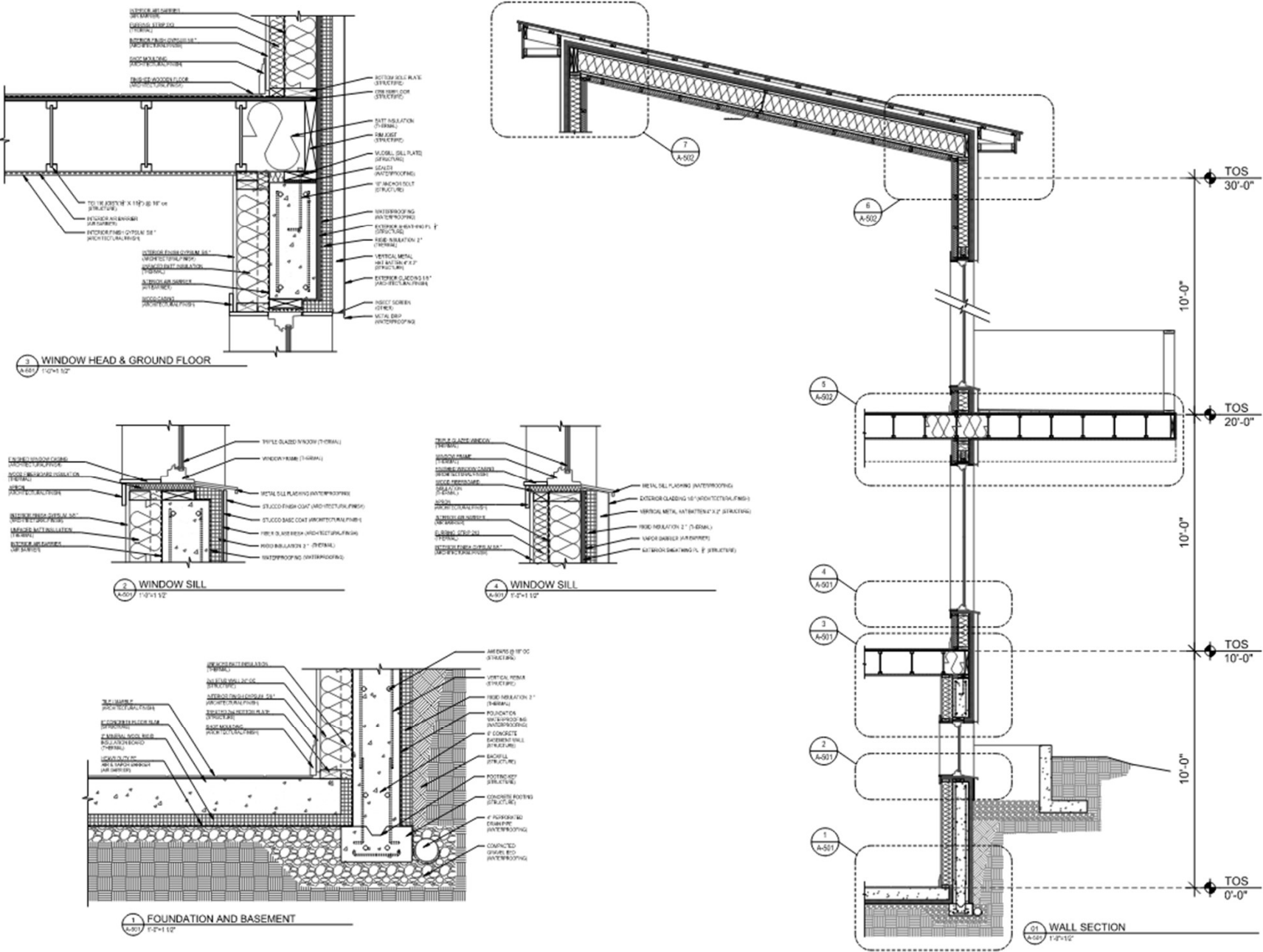
Student Name:
CHERLOVA EKATERINA
Brooklyn Office:
Department of Architectural Technology
185 Jay Street, Brooklyn, New York
ARCH2331-E125
600-8405

PROFESSOR:
ALEXANDER APTEKAR
Engineered Wood Type
Group 4
TJI 110 JOIST (134" X 11 7/8") @ 16" oc

DATE OF PREP BILL	MARCH 08, 2020
05.11.2020	FINAL SUBMISSION

DWG TITLE:
WALL SECTION OVERALL

SEAL & SIGNATURE	DATE: 2020-03-08
	PROJECT NO: MODULE_B
	DRAWING BY: CHERLOVA
	CHECK BY: APTEKAR
	DWG NO: A-501
	DATE: 2020-03-08
	PAGE: 20 OF 24





Lindsay Duddy. "This Moss-Covered, Octagonal Micro-Cabin Combines Luxury and Rustic Aesthetic" 12 Oct 2018. ArchDaily. Accessed 12 Oct 2018. <<https://www.archdaily.com/903776/this-moss-covered-octagonal-micro-cabin-combines-luxury-and-rustic-aesthetic/>> ISSN 0719-8884