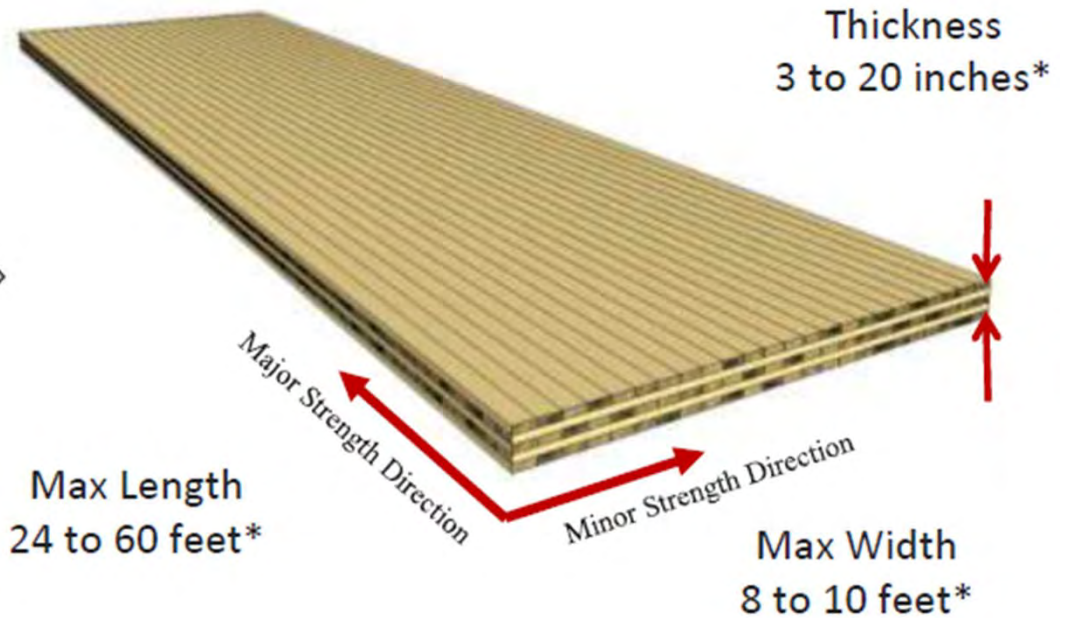
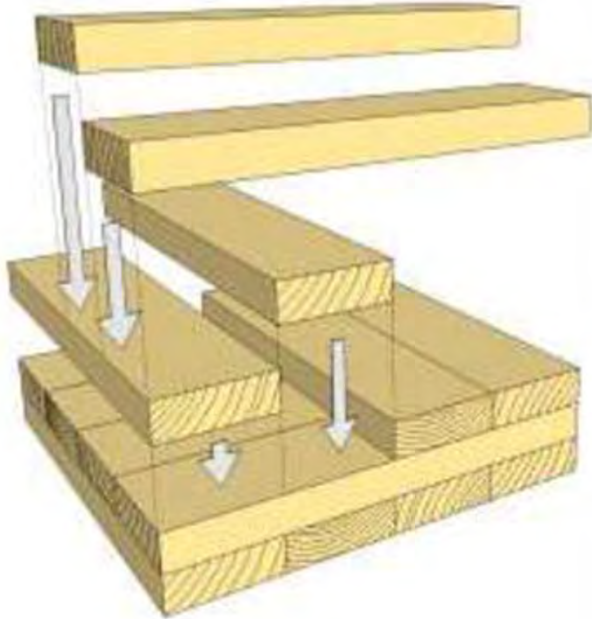


# Wood Decking & Cross Laminated Timber

3+ layers of laminations  
Typically Solid Sawn Laminations  
Cross-Laminated Layup



\*All dimensions are approximate.  
Consult with manufacturers

# Wood Decking & Cross Laminated Timber

rule of thumb: depth equals 1/30 span

| Span |   |        |    | In     |      |   | Depth in |                             |
|------|---|--------|----|--------|------|---|----------|-----------------------------|
| feet | & | inches | to | inches | "/30 | = | inches   | Notes                       |
| 5'   | - | 0"     |    | 60"    |      |   | 2"       | Min. size, solid wood floor |
| 7'   | - | 6"     |    | 90"    |      |   | 3"       | Min. size, CLT              |
| 10'  | - | 0"     |    | 120"   |      |   | 4"       |                             |
| 12'  | - | 6"     |    | 150"   |      |   | 5"       |                             |
| 15'  | - | 0"     |    | 180"   |      |   | 6"       |                             |
| 17'  | - | 6"     |    | 210"   |      |   | 7"       |                             |
| 20'  | - | 0"     |    | 240"   |      |   | 8"       |                             |
| 21'  | - | 0"     |    | 252"   |      |   | 8.4"     | Typical maximum             |
| 25'  | - | 0"     |    | 300"   |      |   | 10"      | (Inefficient)               |
| 30'  | - | 0"     |    | 360"   |      |   | 12"      | (Inefficient)               |
| 50'  | - | 0"     |    | 600"   |      |   | 20"      | (Inefficient)               |

# Wood Decking & Cross Laminated Timber

