

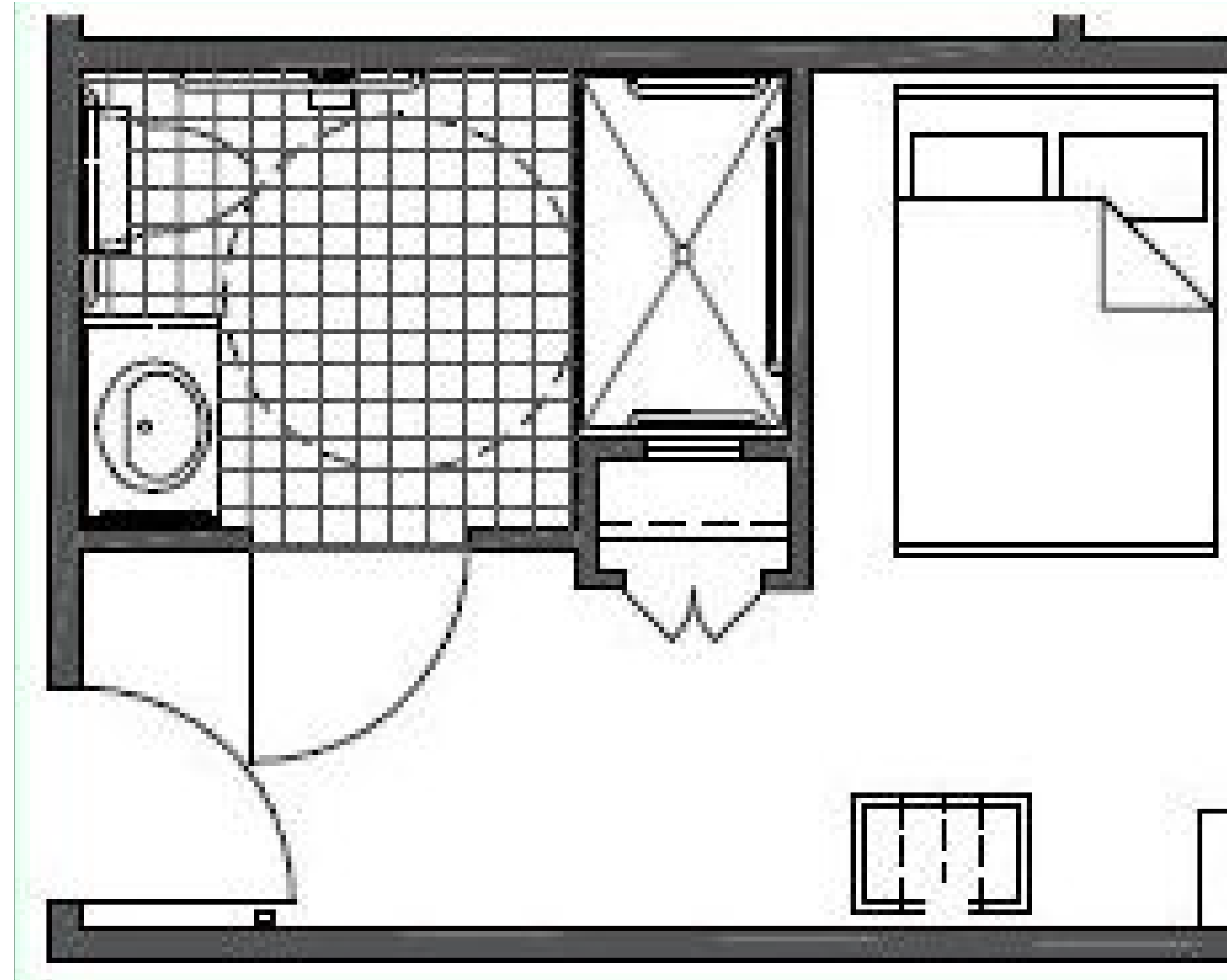
# ADA Bathrooms

Your projects will have to provide sufficient bathrooms for all the residence and visitors

Each project must have one ADA single use bathroom. This bathroom will contain one toilet (ADA), one Lavatory (ADA – wall hung), roll in shower and all accessories.

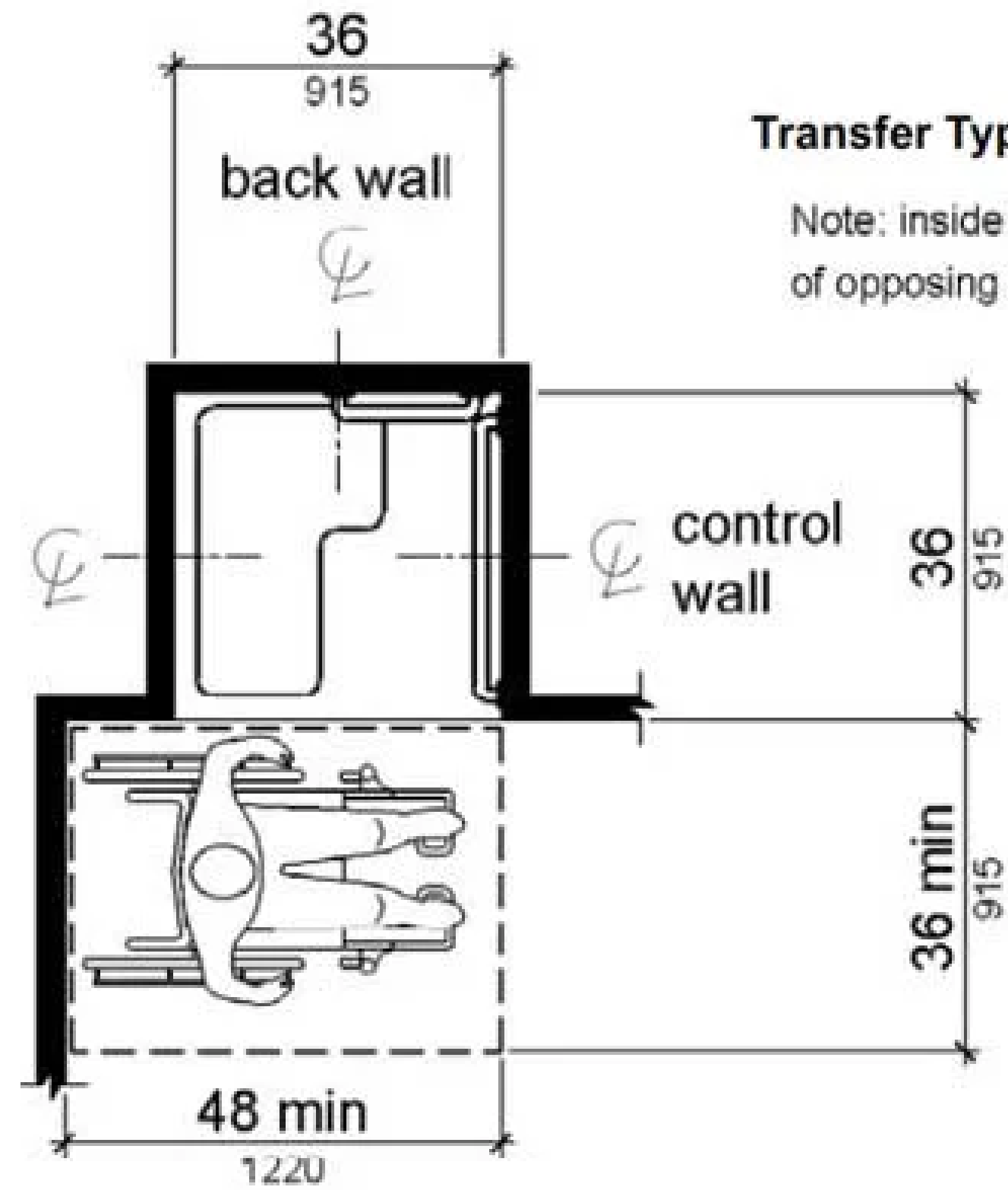
One drawing will be dedicated to your bathroom. It will include:

1. Plan of the bathroom – showing location of all fixtures and tile patterns
2. Elevations of all walls – showing location of all fixtures and tile patterns and heights
3. Images of all the materials you have selected for your bathroom – toilet, lavatory, faucet, paper towel dispenser or hand dryer, soap dispenser, toilet paper, mirror, lighting, tiles (floor and wall)



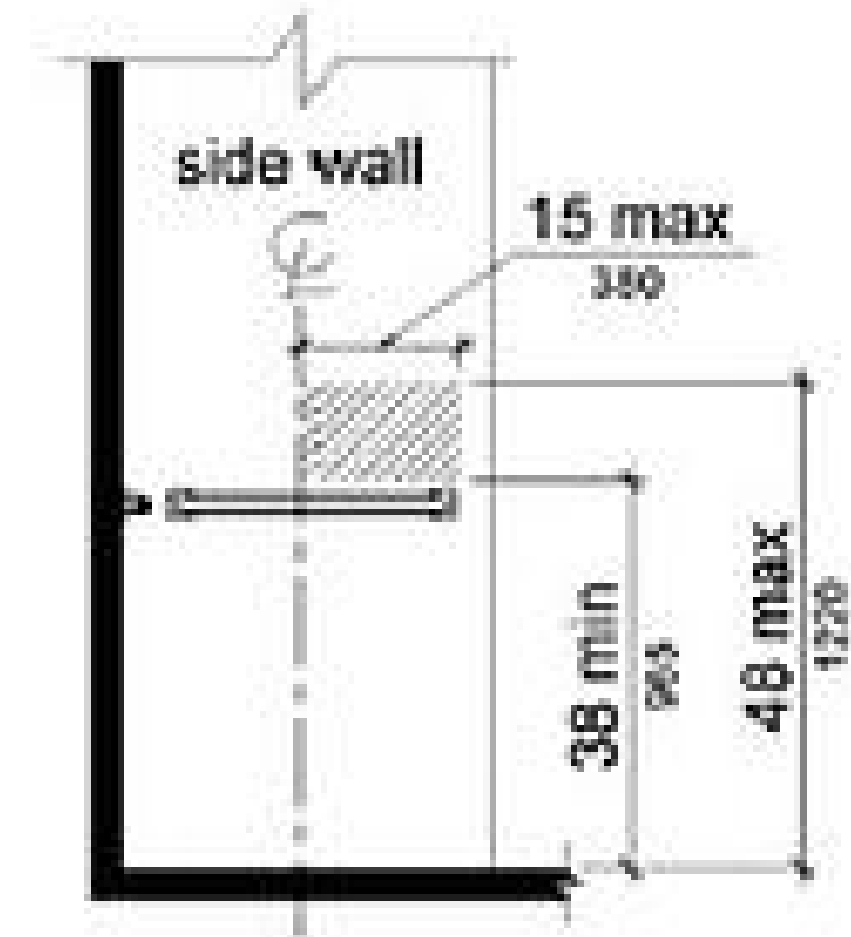
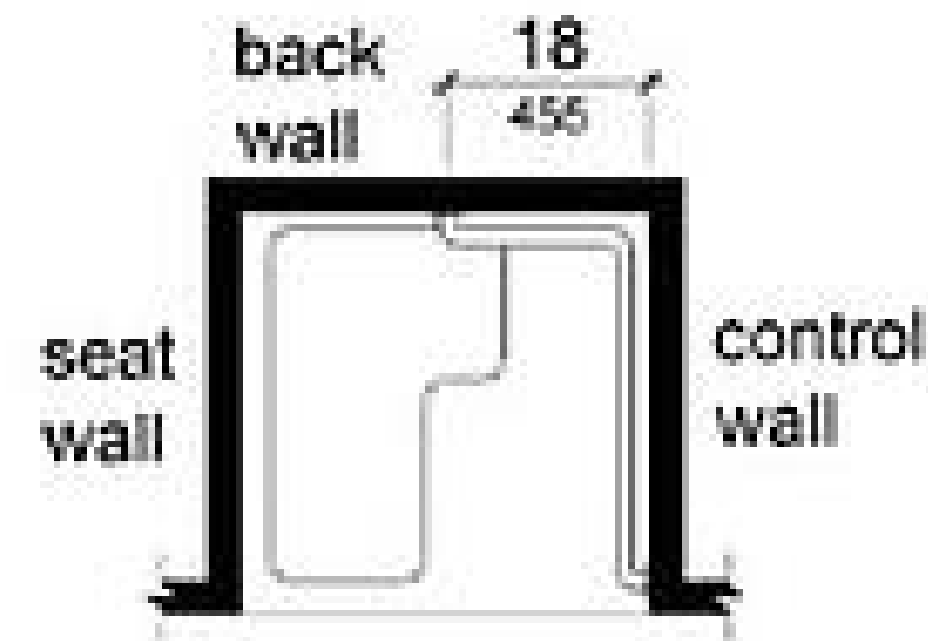
# Lavatory (Sink), Toilet and Shower

# Showers



**Figure 608.2.1**  
**Transfer Type Shower Compartment Size and Clearance**

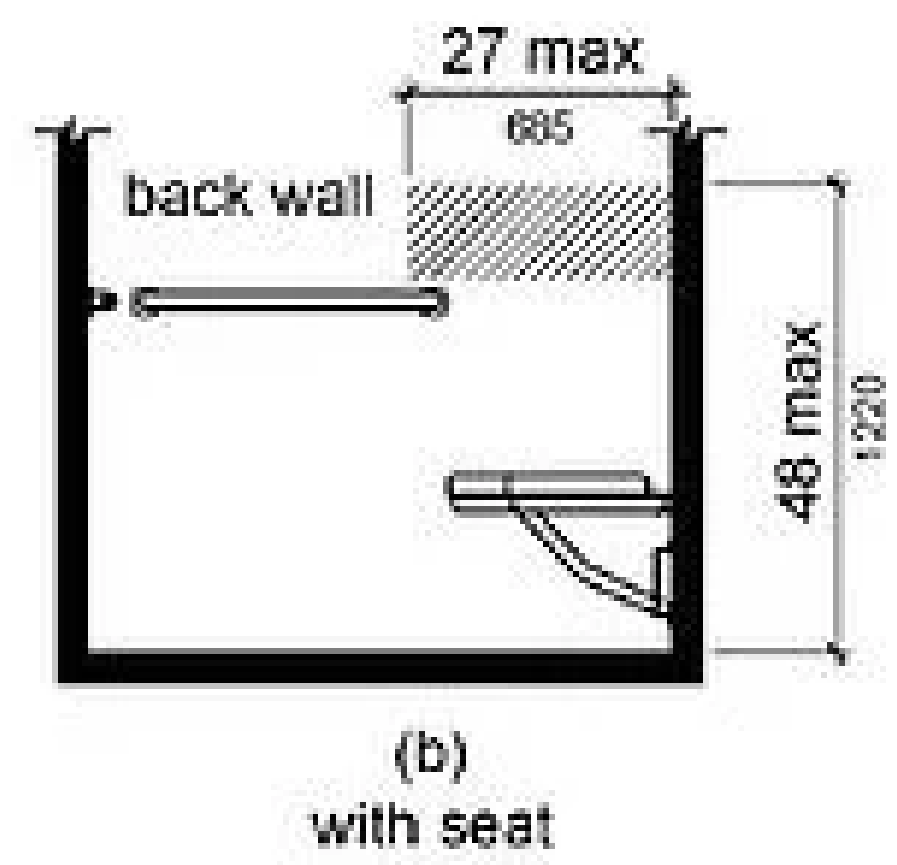
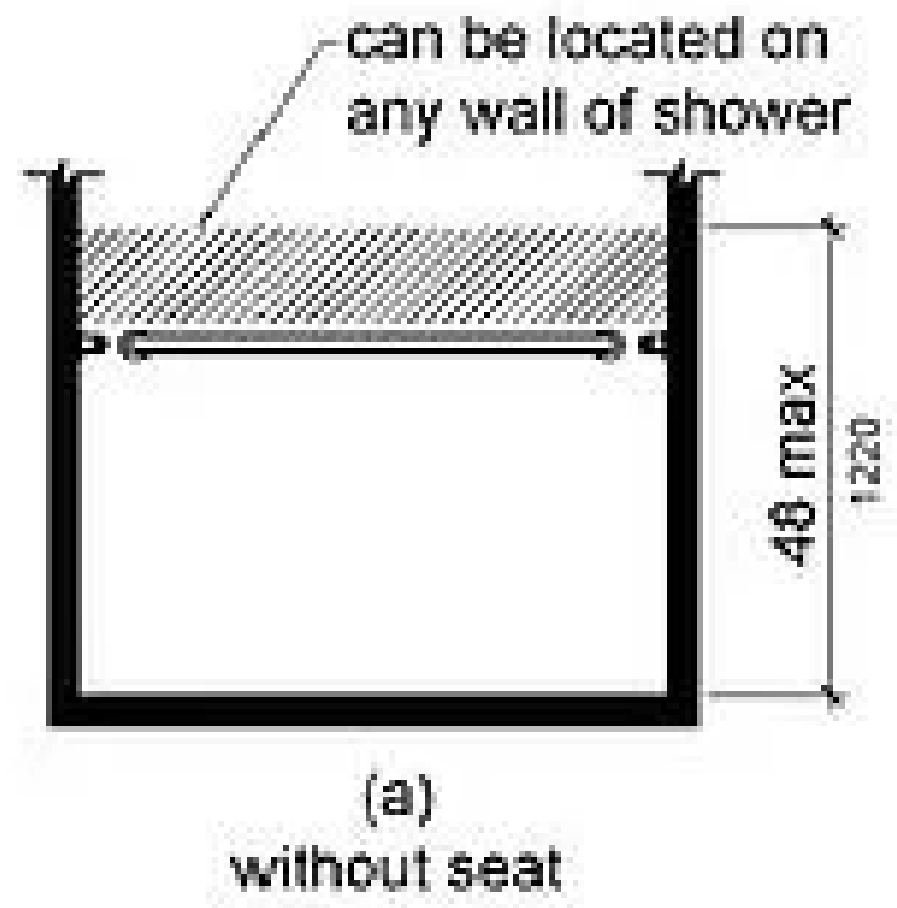
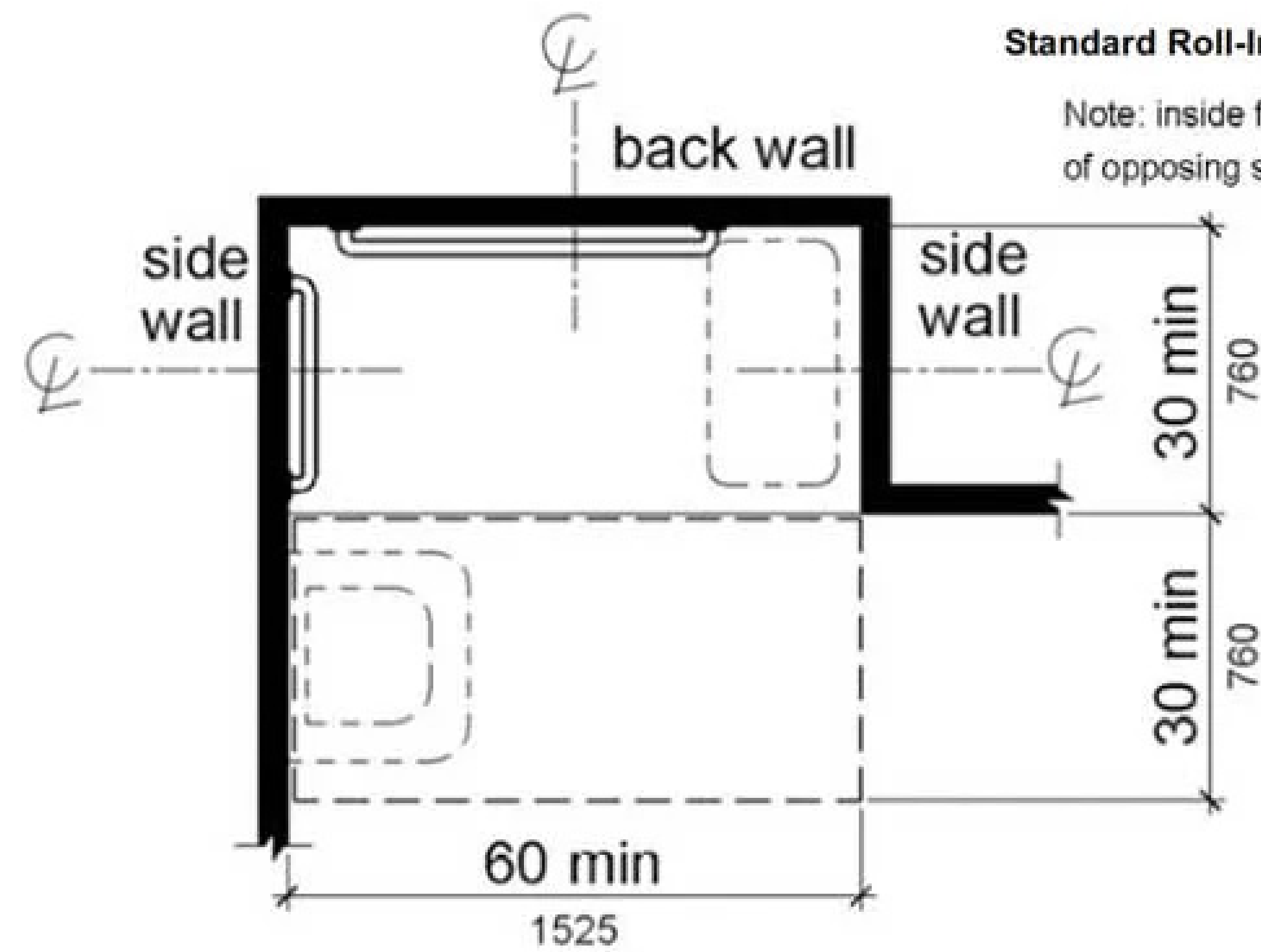
Note: inside finished dimensions measured at the center points of opposing sides





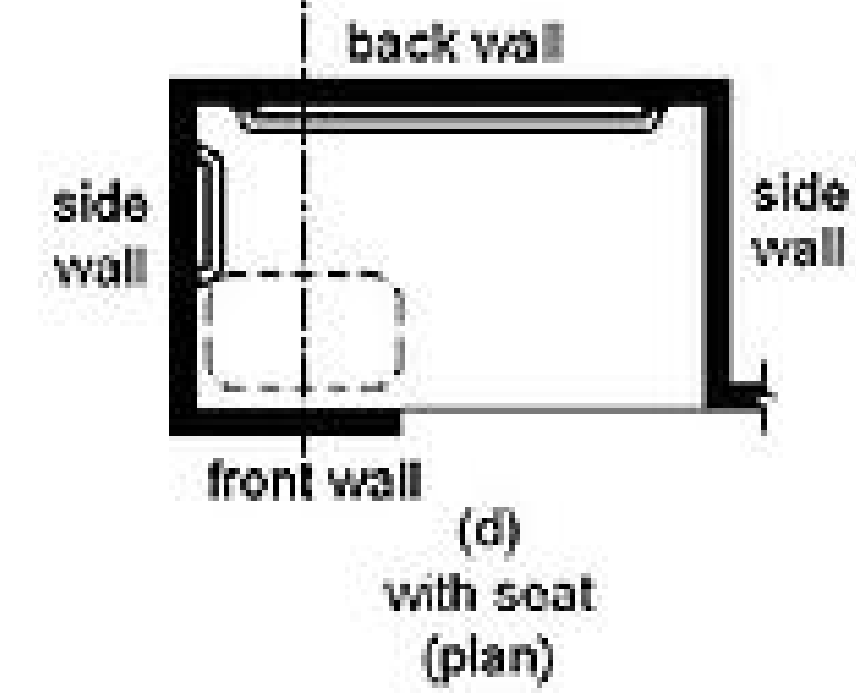
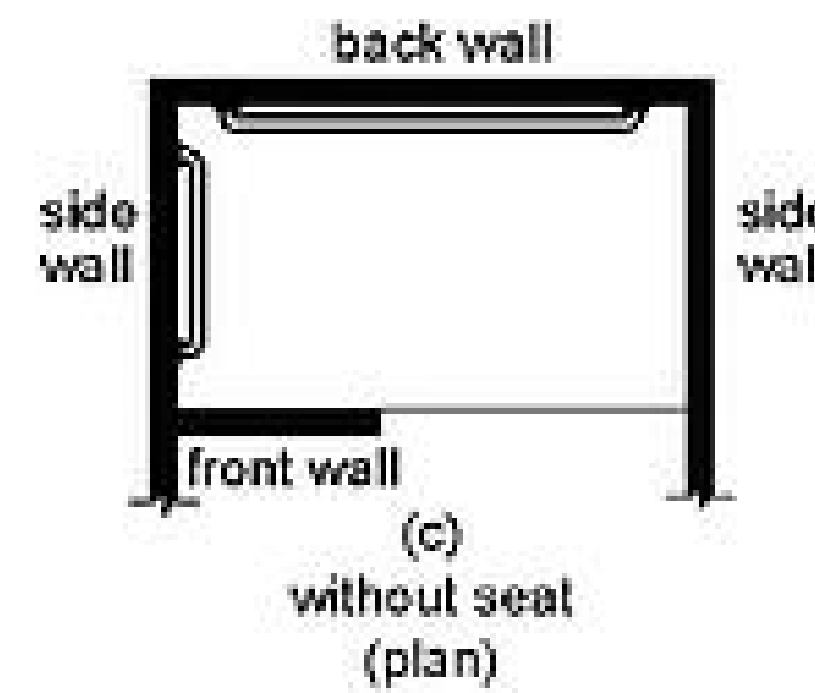
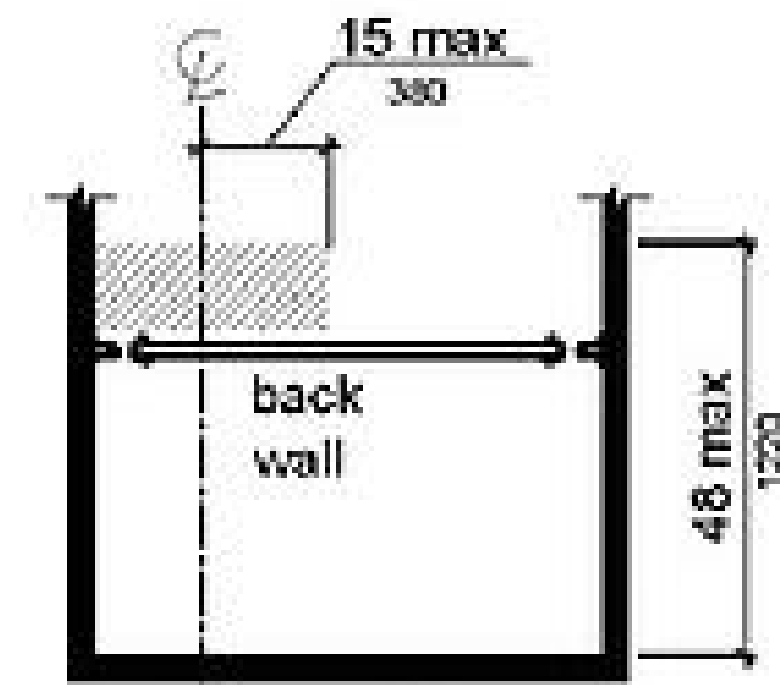
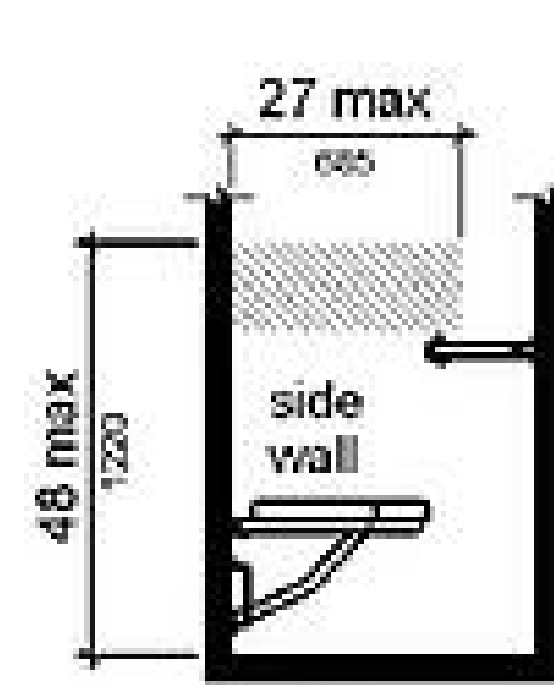
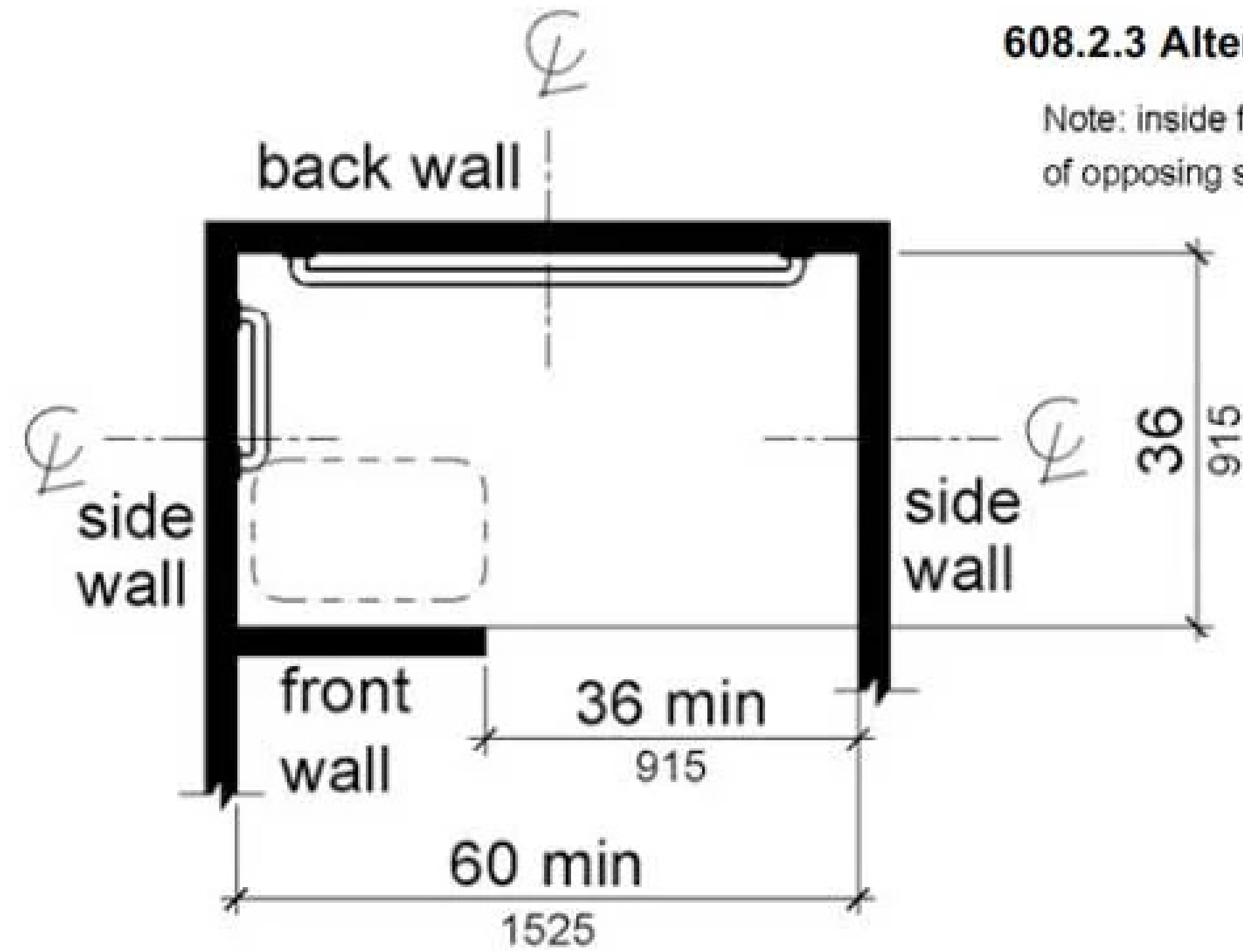
**Figure 608.2.2**  
**Standard Roll-In Type Shower Compartment Size and Clearance**

Note: inside finished dimensions measured at the center points of opposing sides



### 608.2.3 Alternate Roll-In Type Shower Compartments

Note: inside finished dimensions measured at the center points of opposing sides









# Toilets

All toilets must meet ADA requirements

It will be noted on website

Manufacturers to look at while selecting toilet fixtures:

Kohler : [www.kohler.com](http://www.kohler.com)

Toto: [www.totousa.com](http://www.totousa.com)

American Standard: [www.americanstandard.com](http://www.americanstandard.com)

Which is easier to clean

Which lets the floor pattern to be seen easier

Which makes the room look bigger

Which is easier to install



Wall Hung



Sitting on Floor



BATHROOM

KITCHEN

LIGHTING

THE BOLD LOOK  
OF **KOHLER**

SUPPORT

Search



OVERALL HEIGHT +

PRODUCT FAMILY +

FLUSHING TECHNOLOGY +

GALLONS PER FLUSH +

TRIP LEVER LOCATION +

ROUGH-IN +

TRAPWAY TYPE +

ADA COMPLIANT +

Show Less

SHOP REVOLUTION 360.

THE BOLD LOOK  
OF **KOHLER**



San Souci Toilets

Starting at \$828.00

More Options >



Adair Toilets

Starting at \$704.95

More Options >



Kathryn Toilets

Starting at \$1,058.00

More Options >



Tresham Toilets

Starting at \$1,176.45

More Options >

Choose ADA

Or choose

## Commercial Toilets

113 products

Sort by



Filter by:

[Clear All](#)

Available Now

PRICE RANGE



INSTALLATION TYPE



CONFIGURATION



ROUGH-IN



ANSI APPLICATION CLASS



SPUD LOCATION



FLUSHING TYPE



Anglesey™ Floor-mounted top spud flushometer bowl with integral seat

★★★★★ (0)

K-4388-0

\$590.80



Kingston™ Ultra Wall-mounted top spud flushometer bowl

★★★★★ (1)

K-84325-0

\$197.50



Wellcomme™ Ultra Floor-mounted top spud flushometer bowl

★★★★★ (2)

K-96053-0

\$206.10



# Lavatories



Single hole



Centerset or widespread faucet  
3 holes



Single hole



Centerset or widespread faucet  
3 holes

Bonus Category

Accessories

Grab Bars

Mirrors

Papertowel Dispencers

Toilet Paper Dispencers

Hand Dryers



Grab Bars



Papertowel Dispencer



Hand Dryers











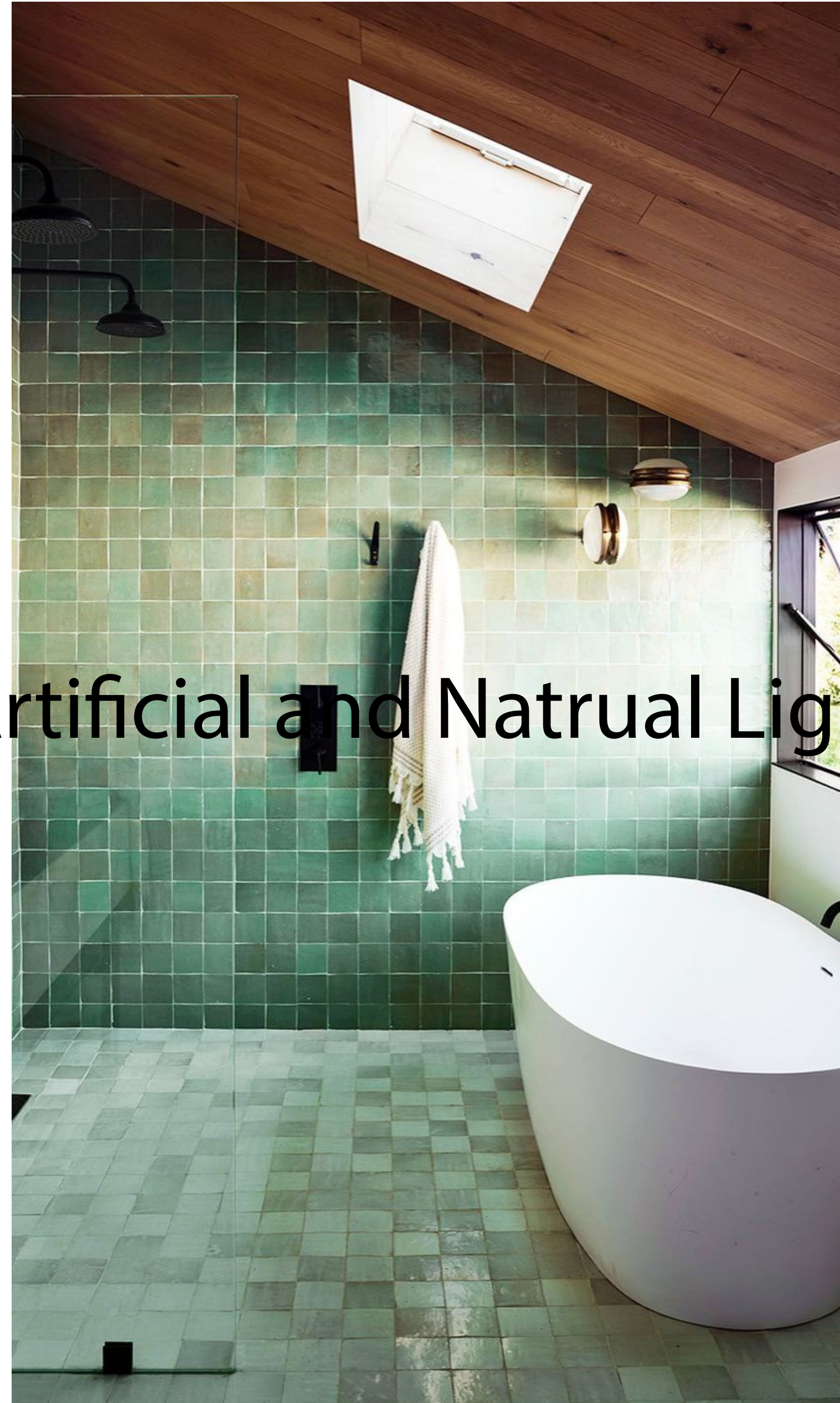
# Tiles

Floor tiles can be stone, ceramic or porcelain – but must be matte finish to reduce slipping if floor becomes wet. Smaller scale with variation in size also helps reduce the possibility of slipping.

Wall tiles are usually thinner as gravity does act on heavy stone adhered to the wall. Wall tiles should come up above the top of the lavatory (min 36") and behind the toilet. There are trim pieces to stop the tile partially up the wall.



## Color and Pattern



## Artificial and Natrual Light





It should keep you same concept that you are using throughout your building.

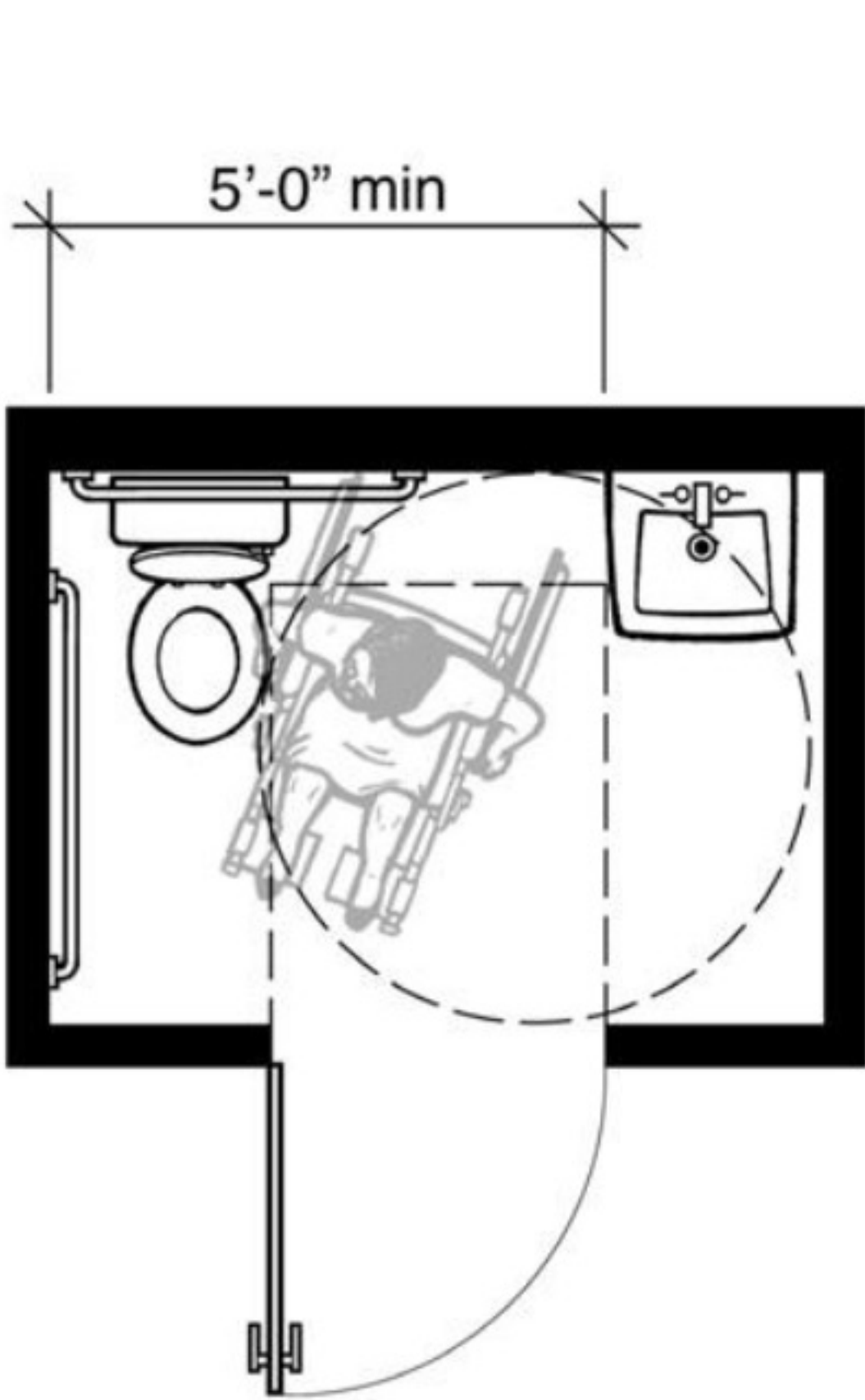
Look at colors and patterns.

Integrate lighting into your bathroom.

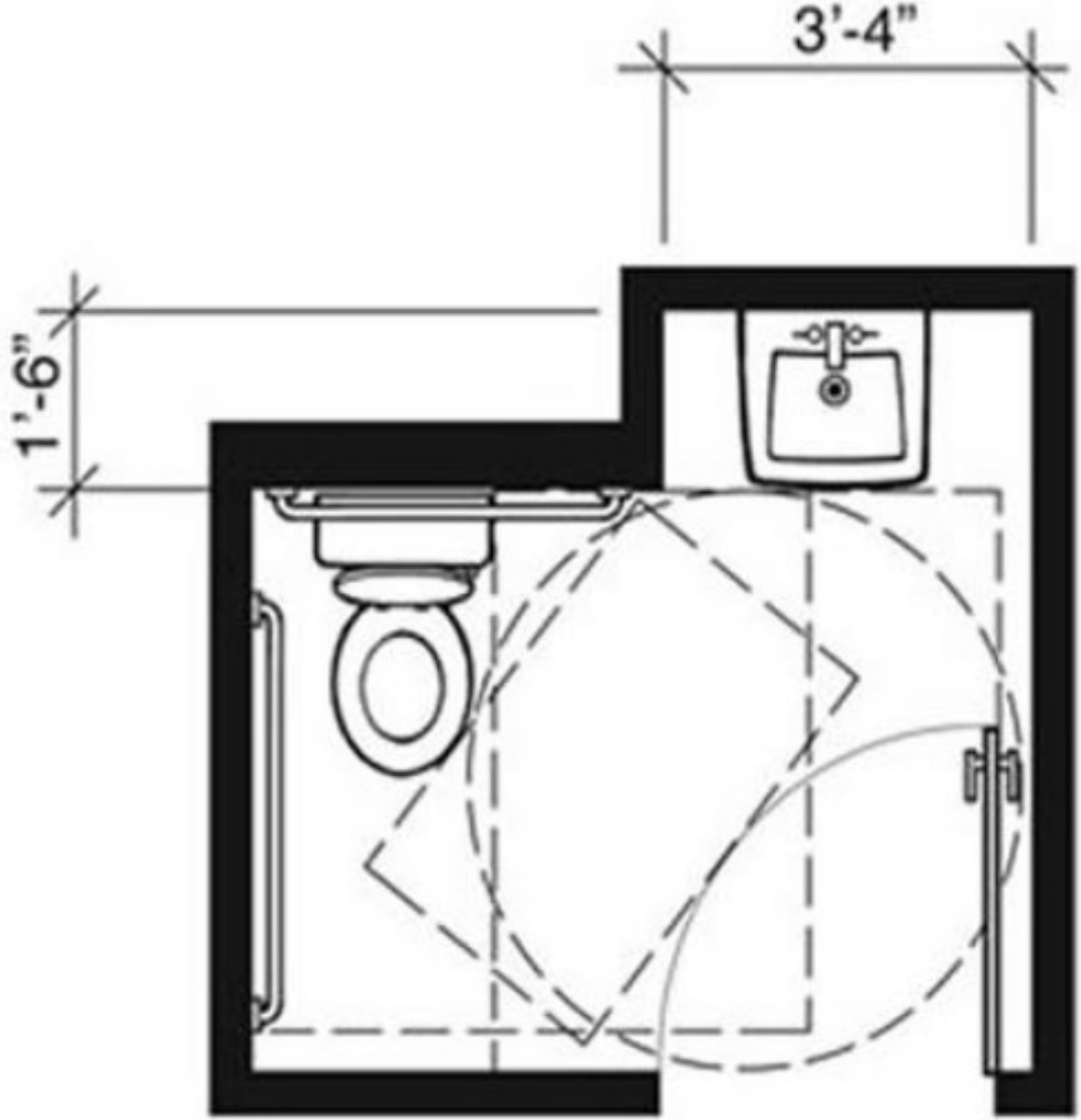
You should have an overhead light of some kind, and you may also have a wall mounted light over the mirror.

# Other ADA Dimensions

### Single Room ADA Bathrooms - Outswing vs Inswing

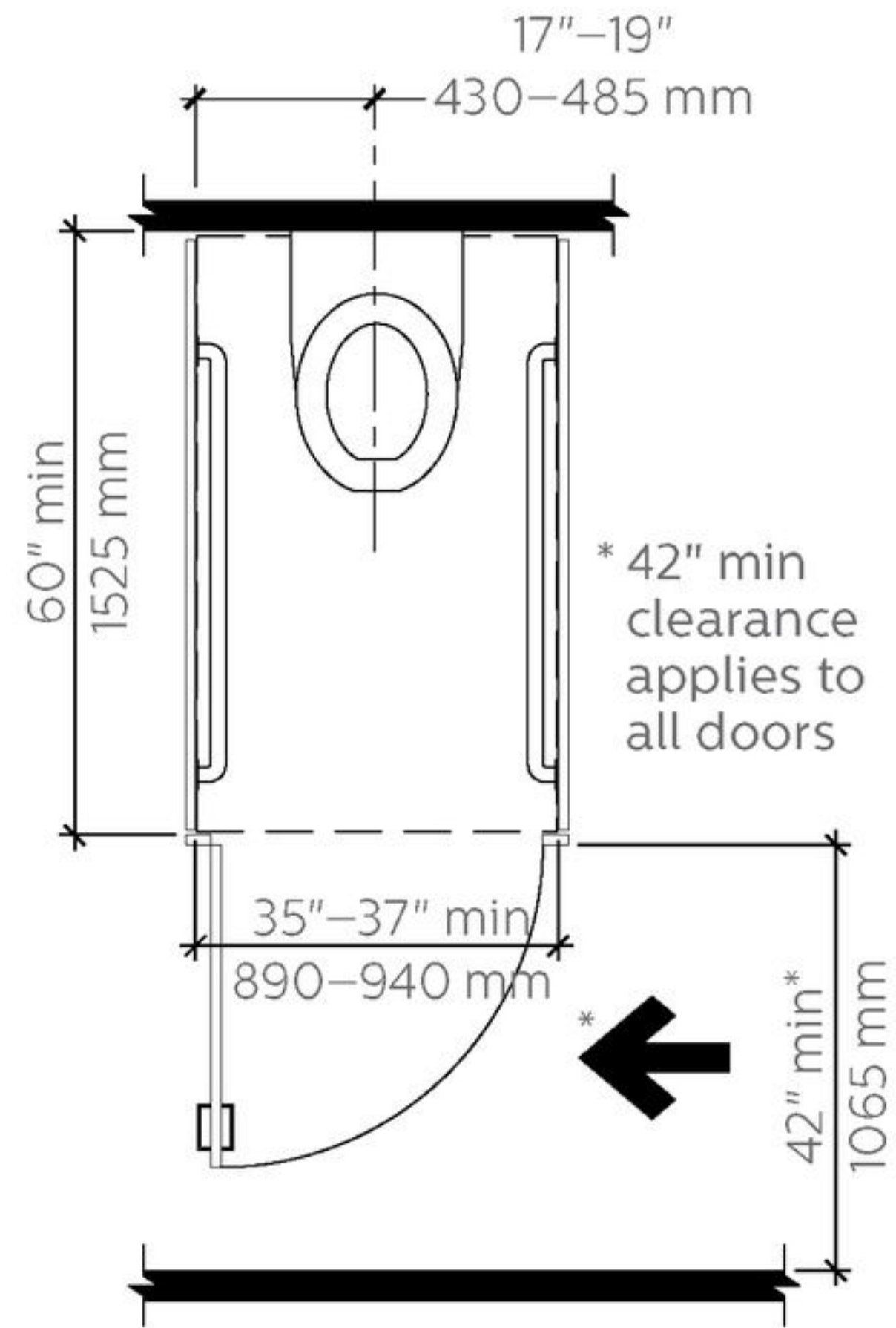


2010 Standards – 7'-0" x 5'-0"

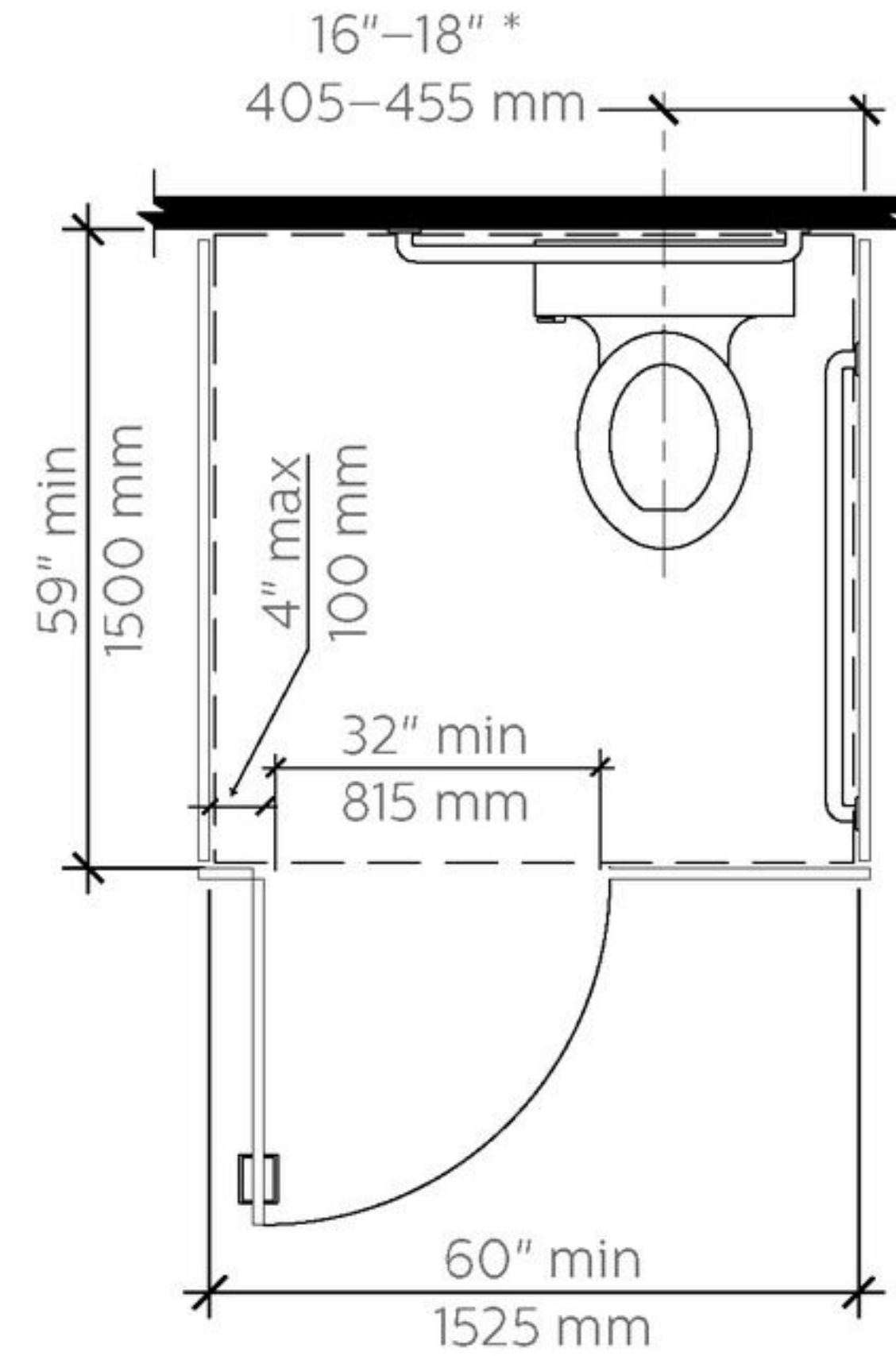


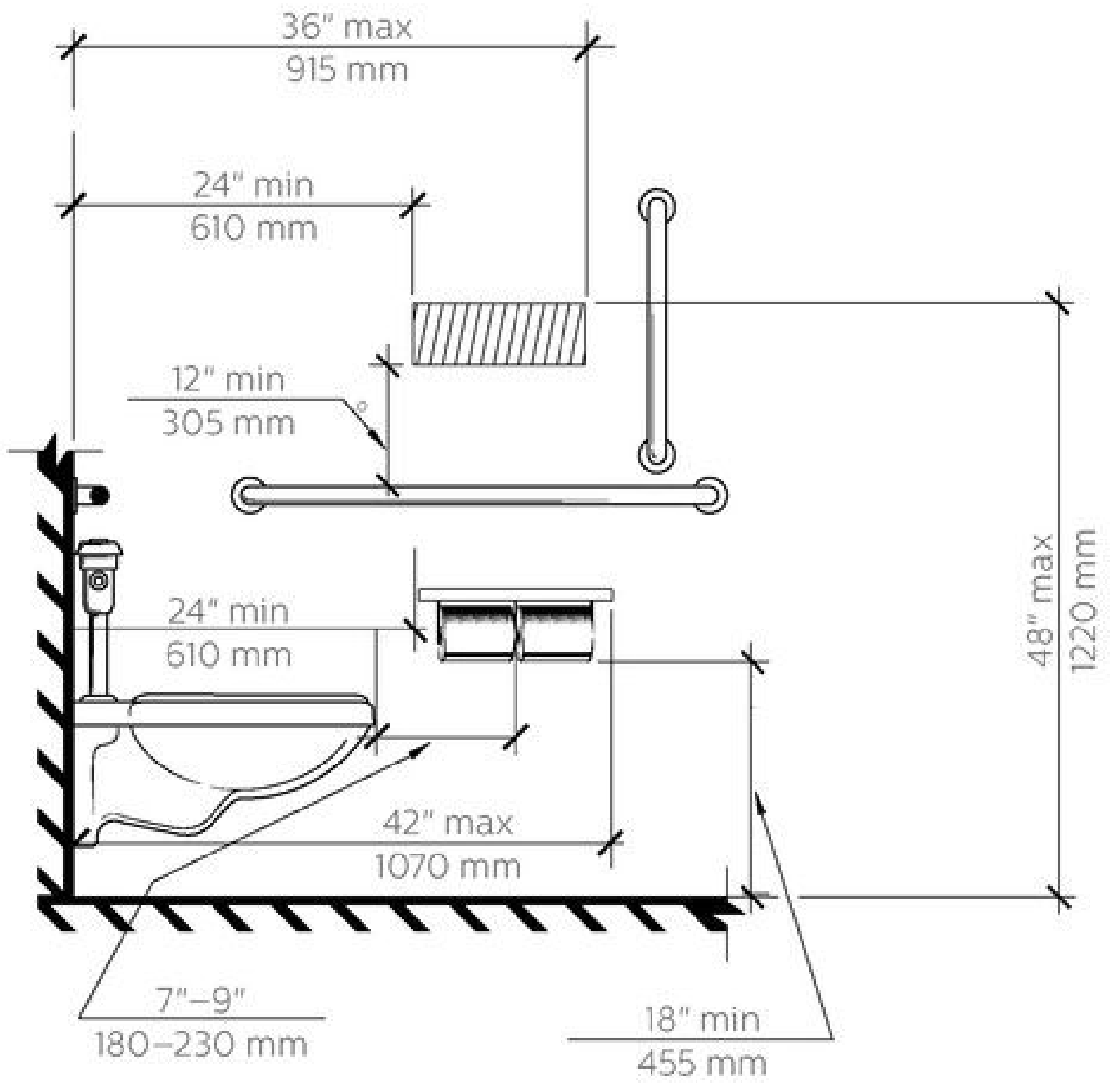
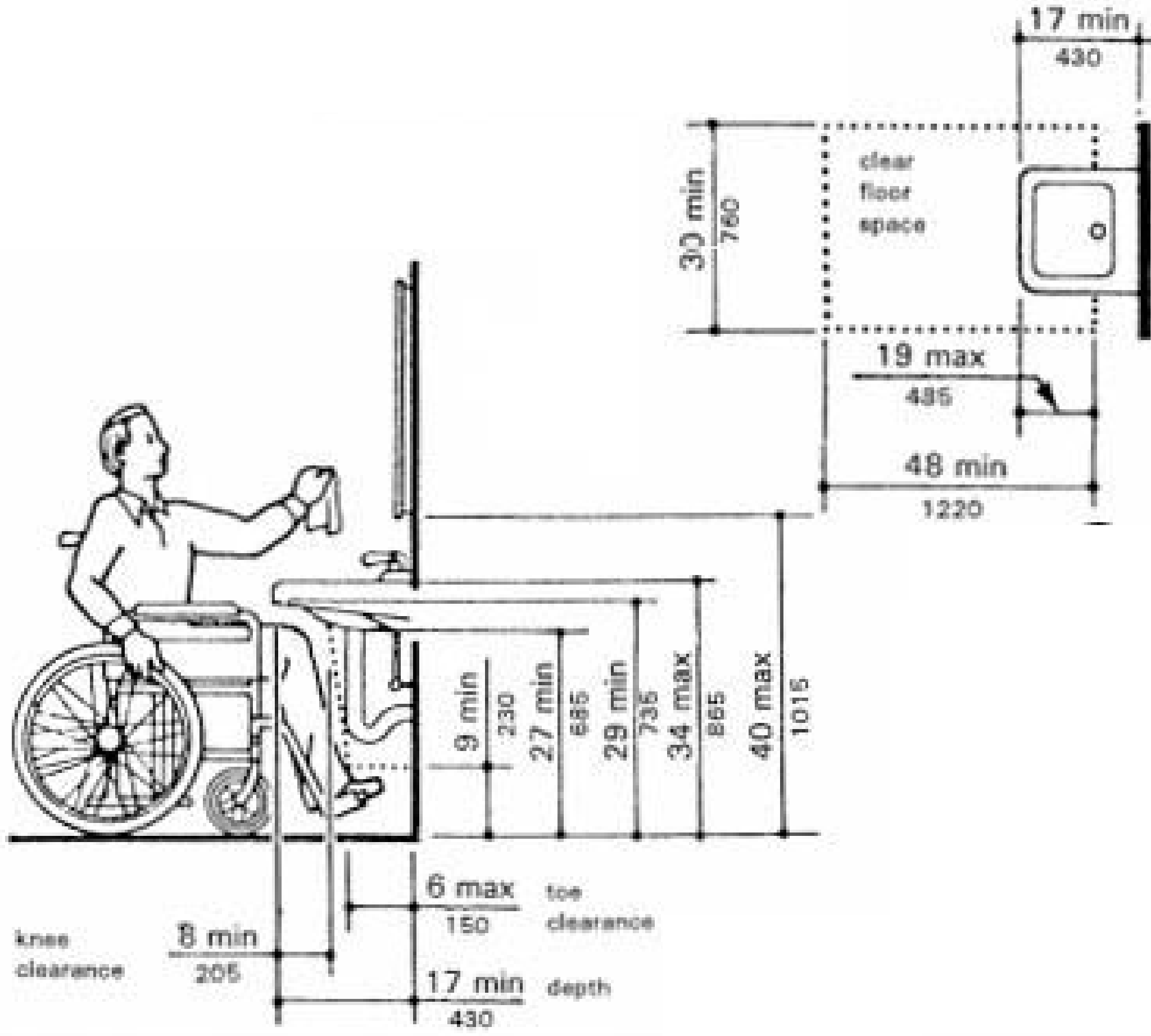
2010 Standards – 7'-0 x 6'-6"

Ambulatory  
Compartment



Wheelchair Accessible  
Compartment Water Closet















Have fun with your bathrooms