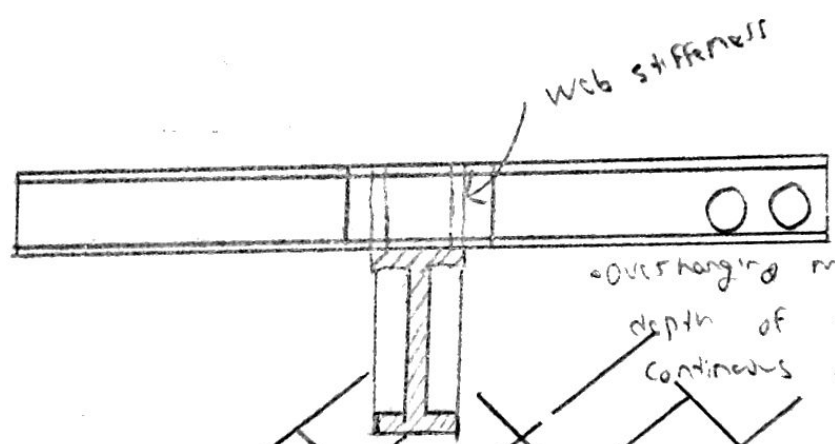


curtain wall panels or facing vented
may be supported either by steel edge
beams or by a concrete slab cast
over metal decking.



overhanging wall be framed within the
depth of the primary beam or be
continuous over the main beam supports.

