

Structural Plan

Address

OWNER

COMPANY-TEAM NAME

ENGINEERS & CONSULTANTS

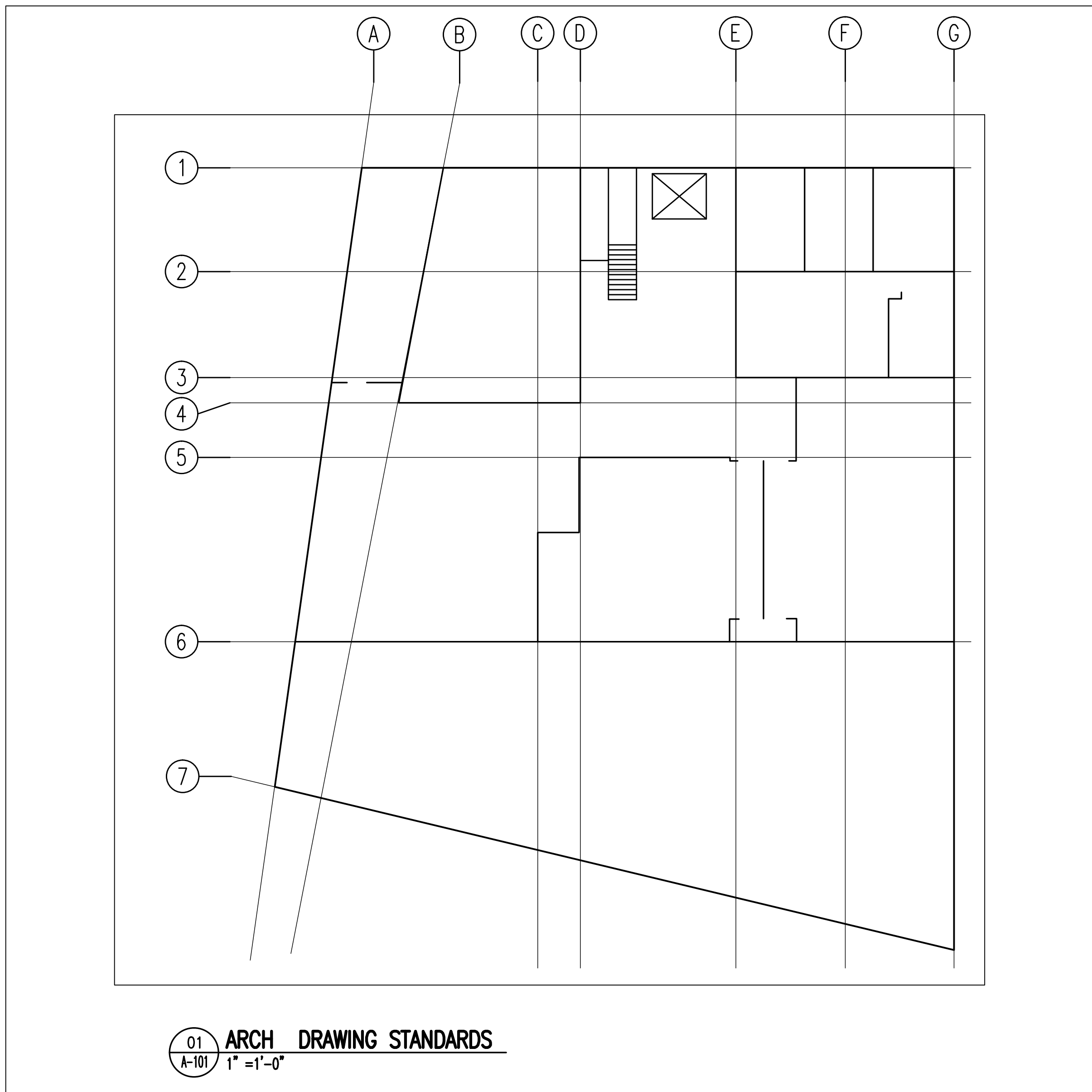
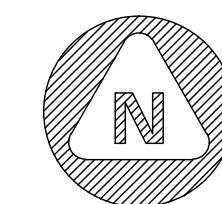
ZONING

Project number	Project Number
Date	03/02/2015
Drawn by	Welkis Quezada
Professor Name	KING
Checked by	Checker

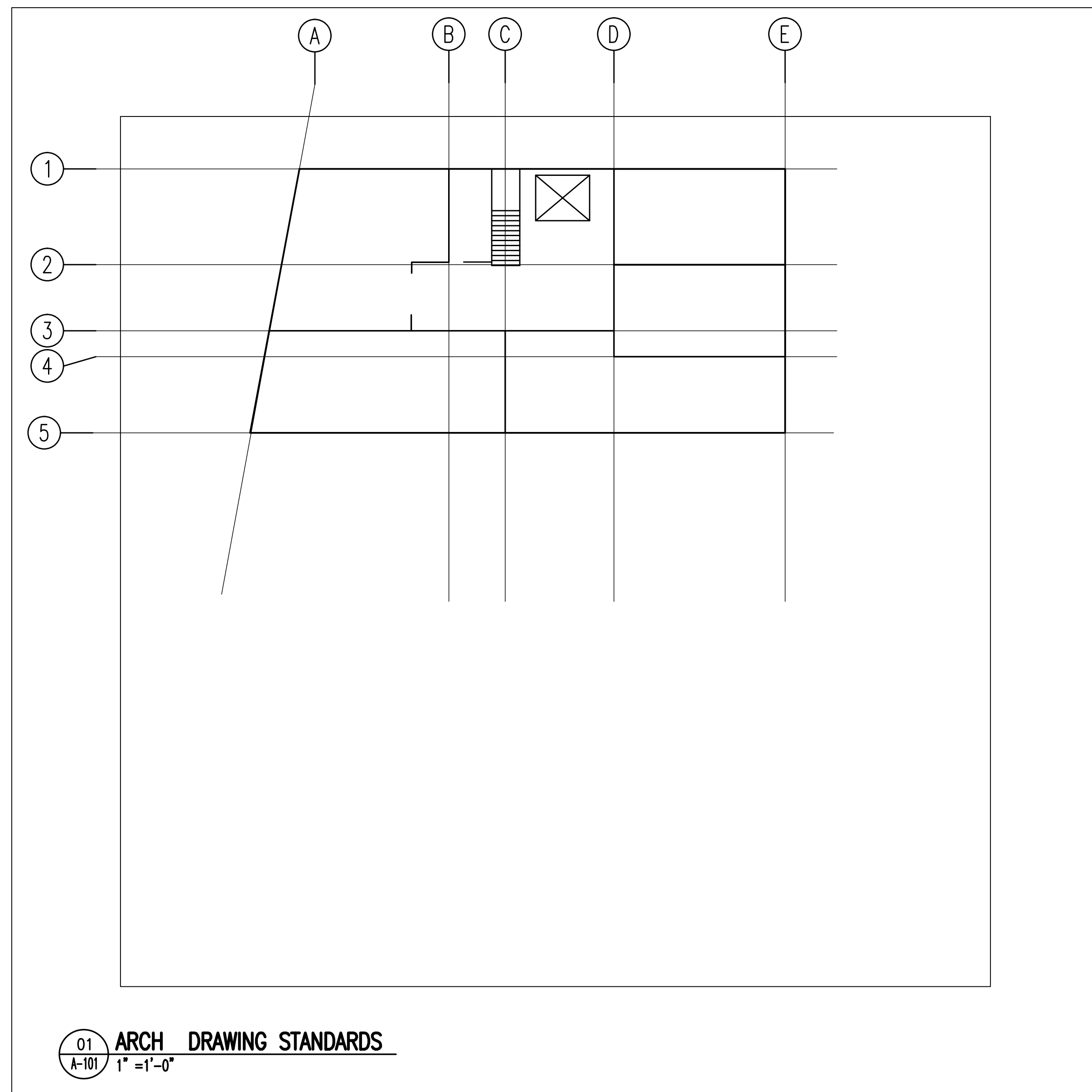
B-110

Scale 1/8" = 1'-0"

Grade 1/8" = 1'-0"



01 ARCH DRAWING STANDARDS
A-101 1" = 1'-0"



01 ARCH DRAWING STANDARDS
A-101 1" = 1'-0"