

Jovany Cumbe Facade Studies

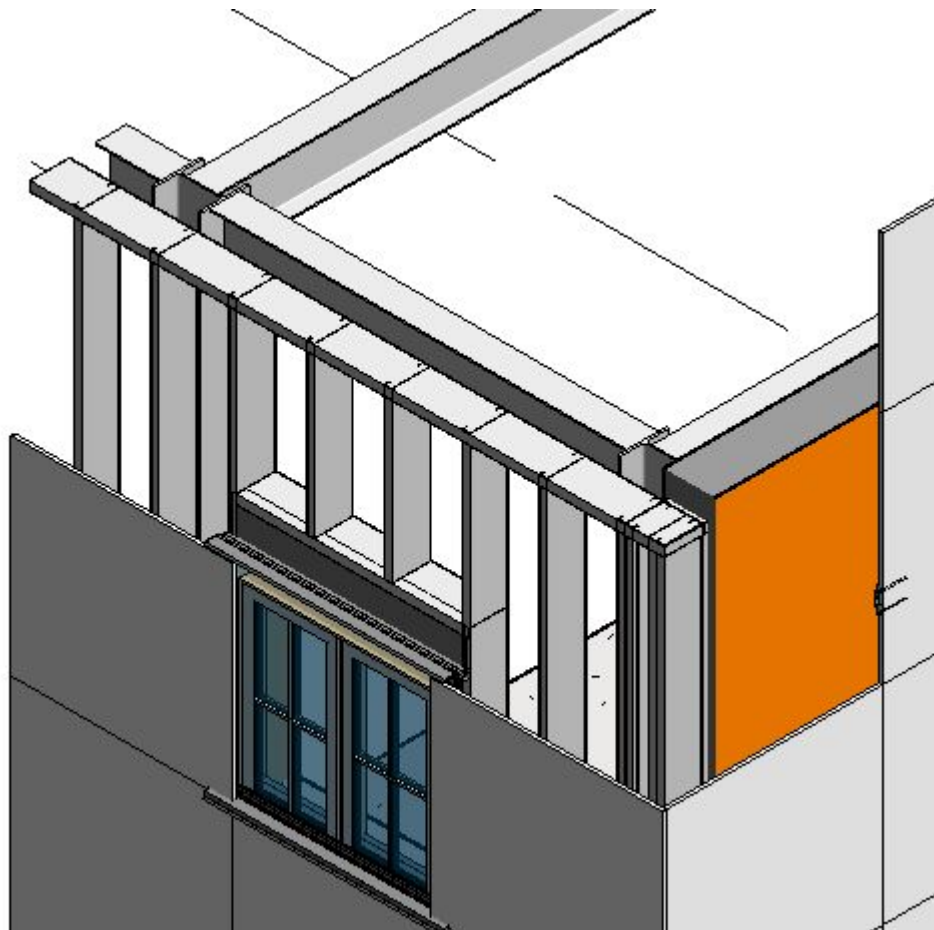
Alumex Aluminum Panels



Aluminum Facade System

Animation

Original Base Structure



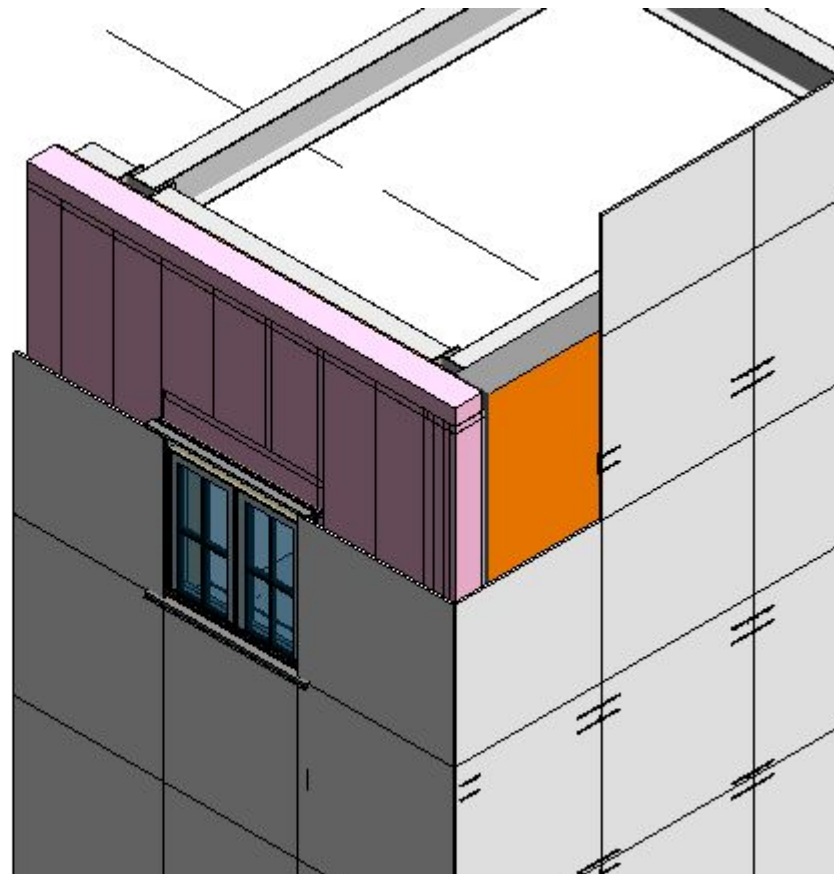
Animation

Interior Gypsum

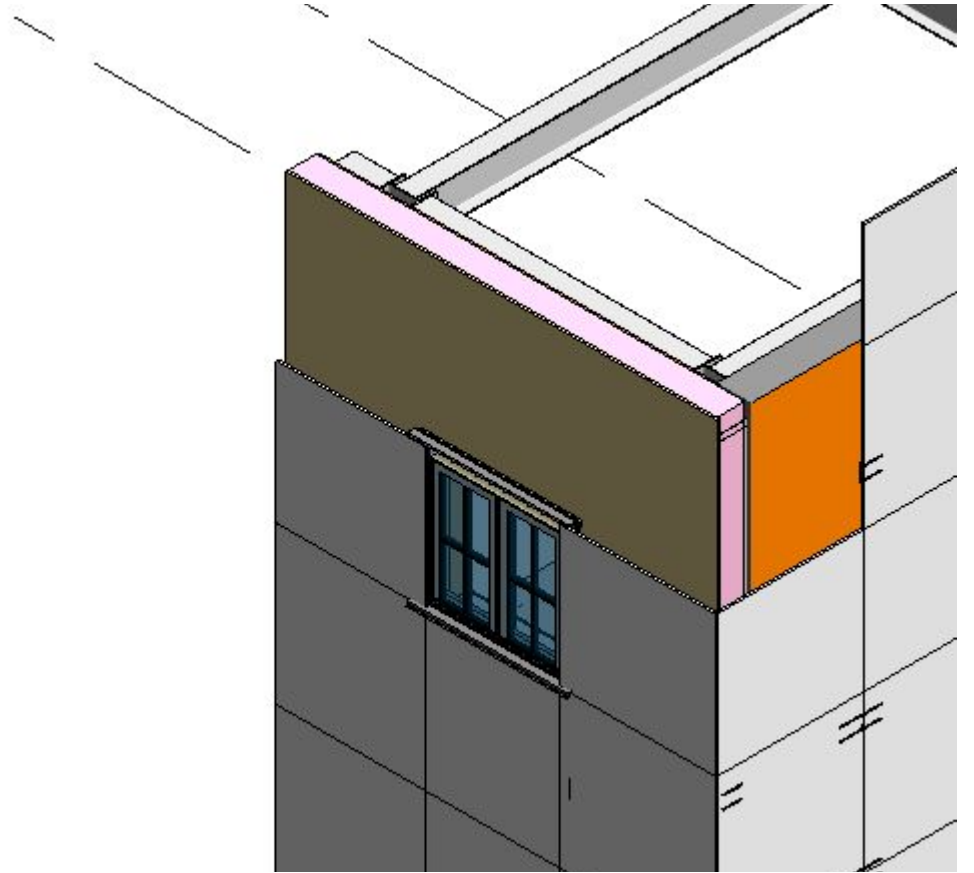


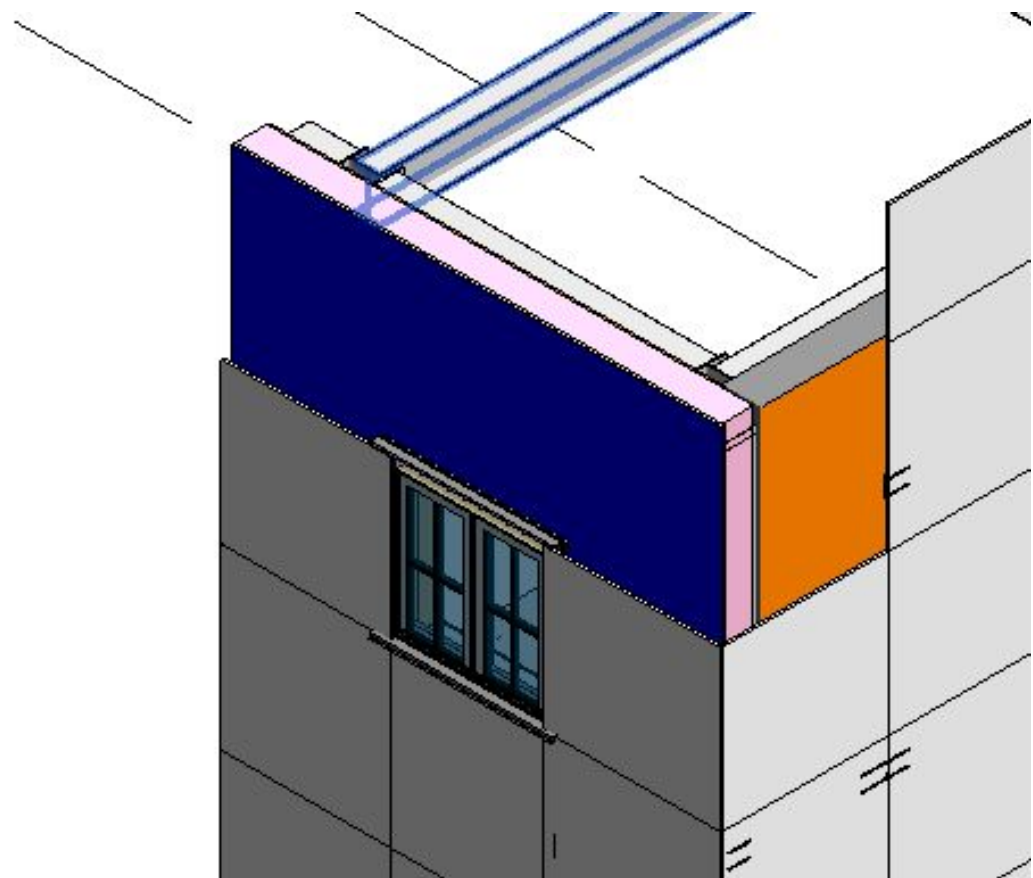
Insulation included inside

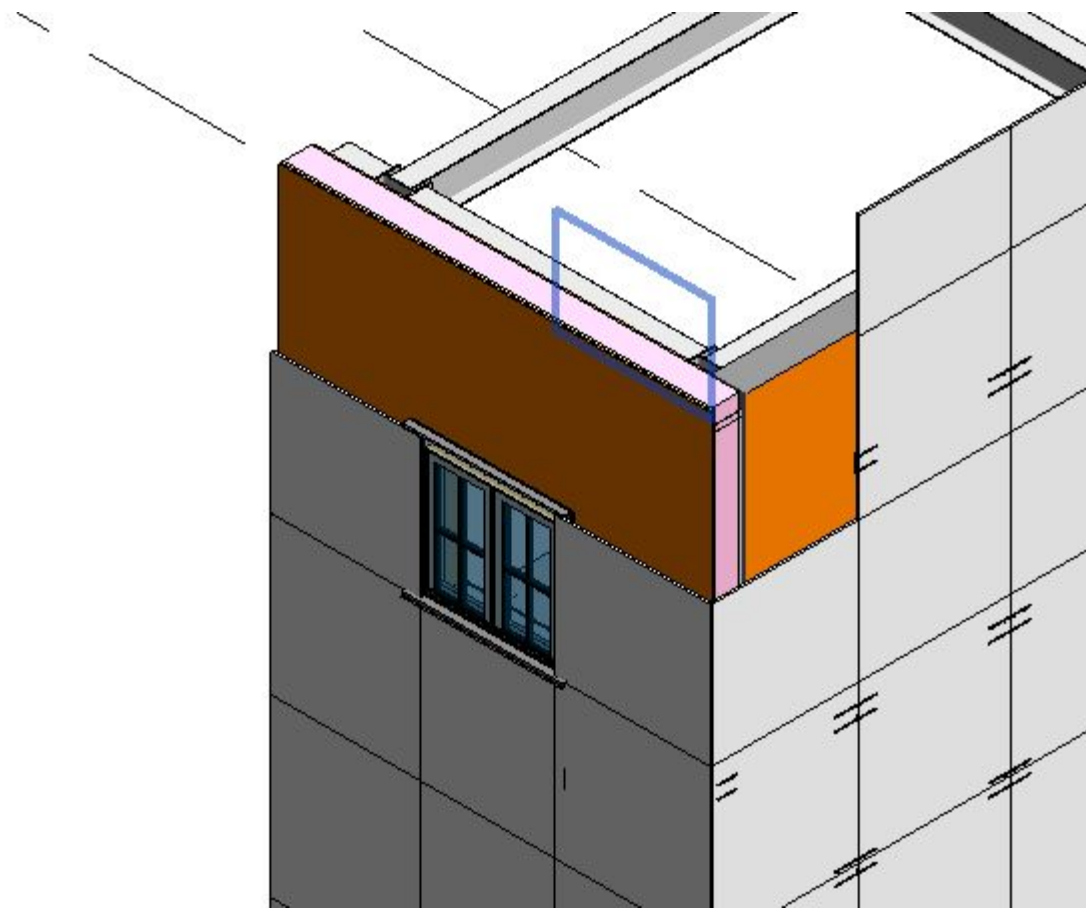
The 8" Metal includes
insulation

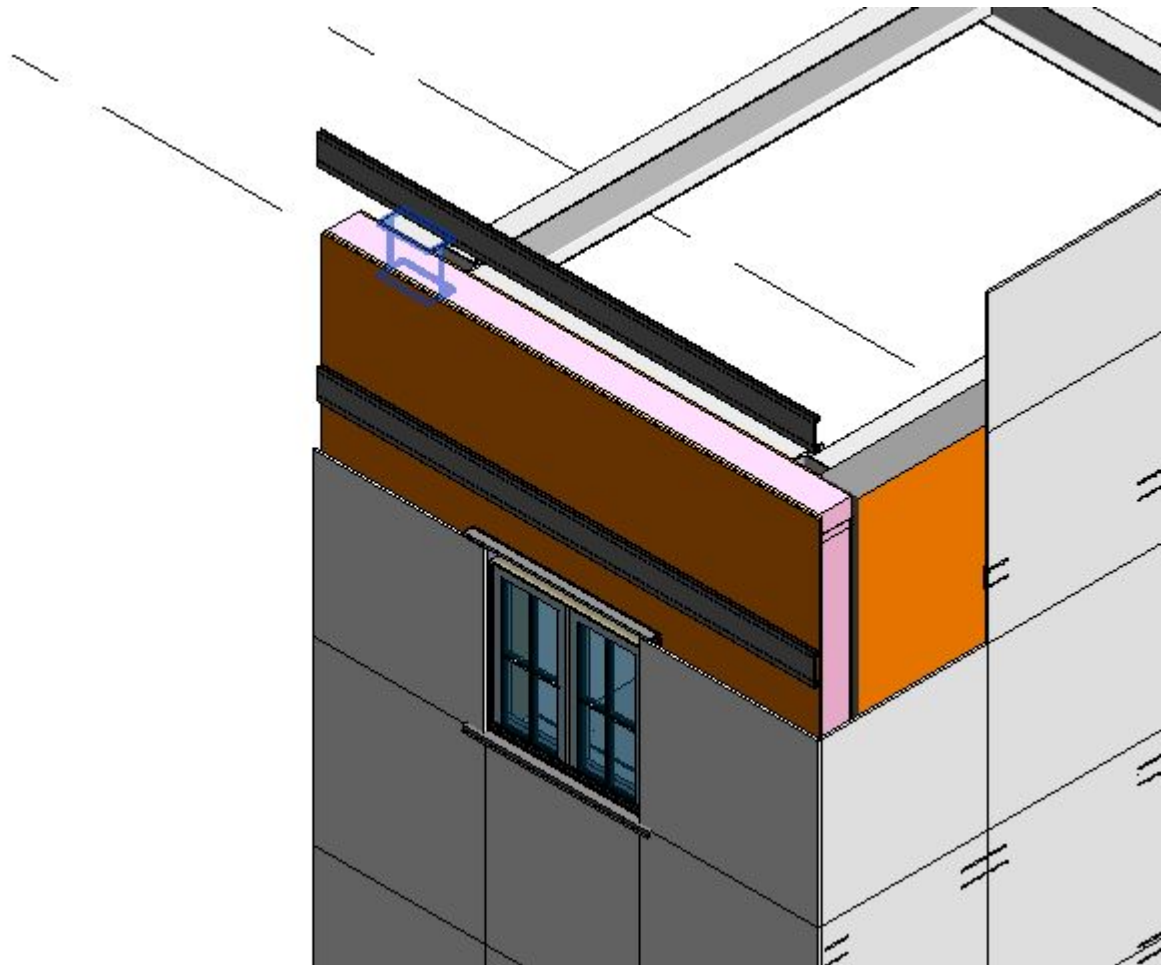


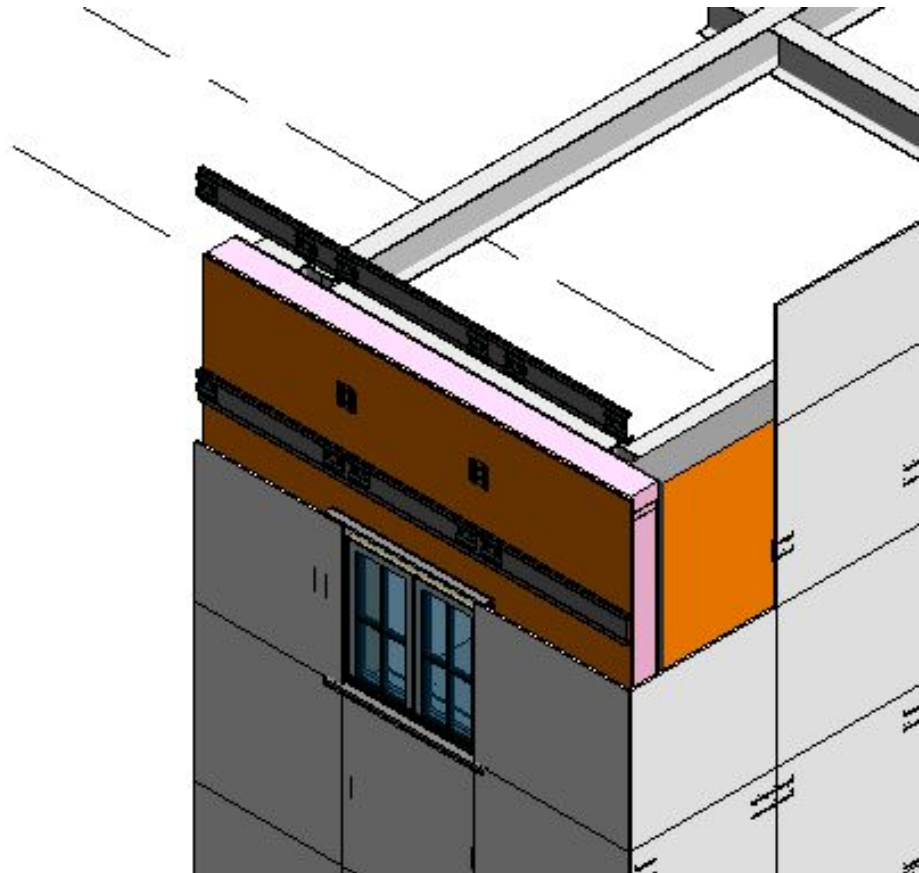
Plywood sheathing is then added











Installation

Waterproofing is added over the substrate to prepare installation



Flashing is then added onto a horizontal element



The J trim is then attached onto the flashing as the base panels will be situated onto the flashing and will create a better air space



The pre fab panels are added onto the sides that will be connecting



This is the panel and it has its aluminum clips embedded and ready



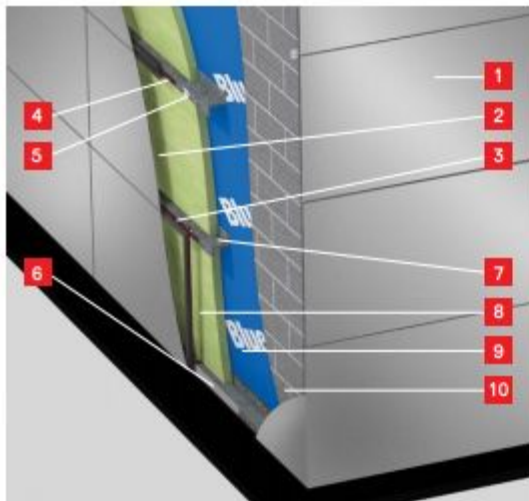
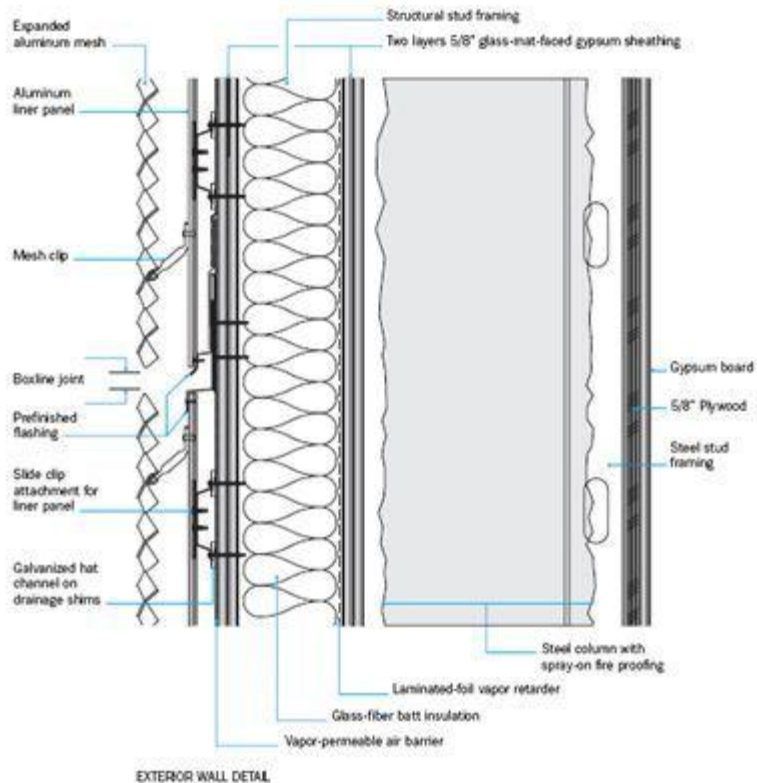


Diagram 1

Typical Outside Corner

Concrete Masonry Unit (CMU) Construction

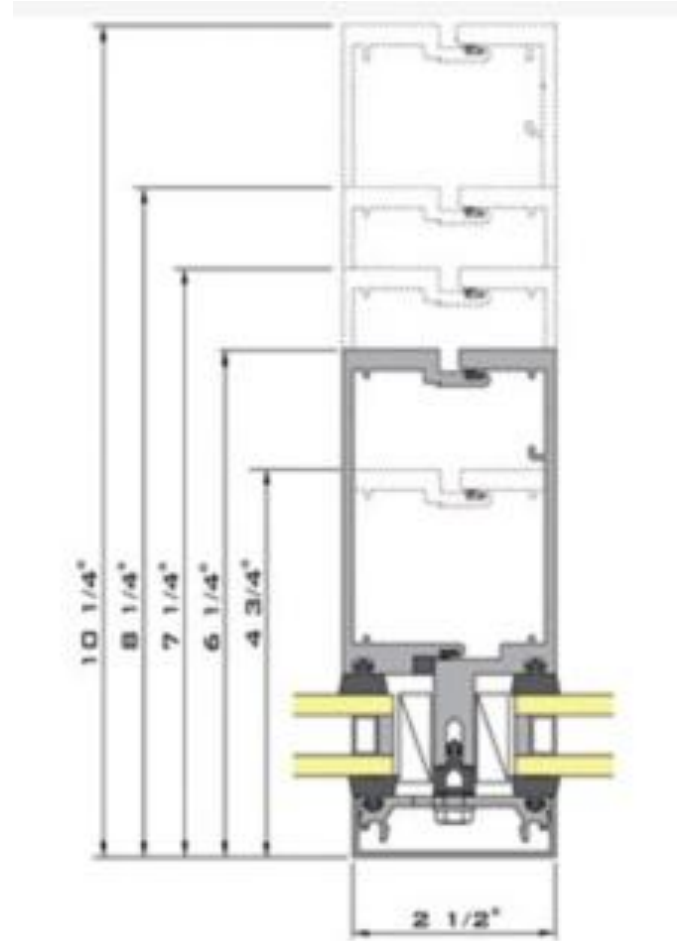
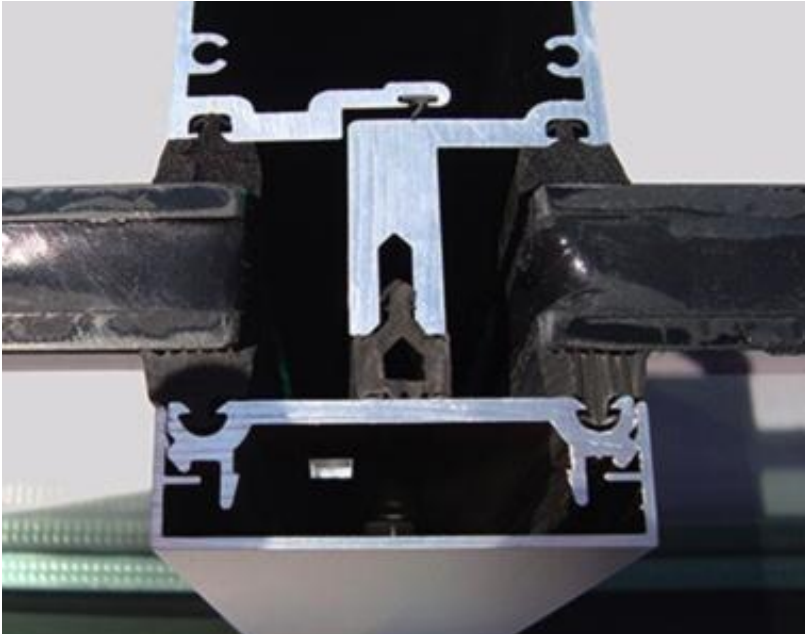
- 1** Alumitex™ Aluminum Composite Material
- 2** 1" (25mm) Air Space
- 3** Unity™ Attachment Technology
- 4** Infill Strip
- 5** Aluminum Clip
- 6** Aluminum J-trim
- 7** "L" angles or Z-girt (Thermally Broken Envirul
- 8** 3" (76mm) Insulation
- 9** Air/Vapor Barrier
- 10** Concrete Masonry Unit (CMU) or other subs



EXTERIOR WALL DETAIL

Glass Curtain Wall System

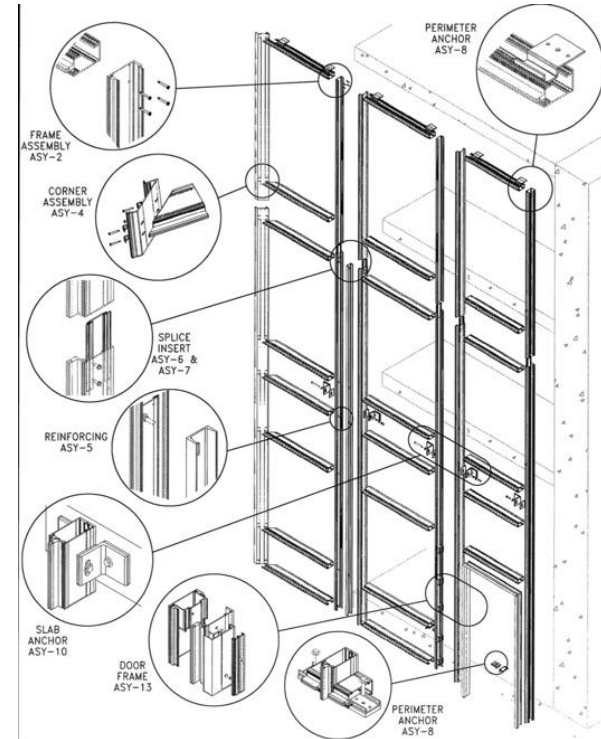
Stick Built and Captured system



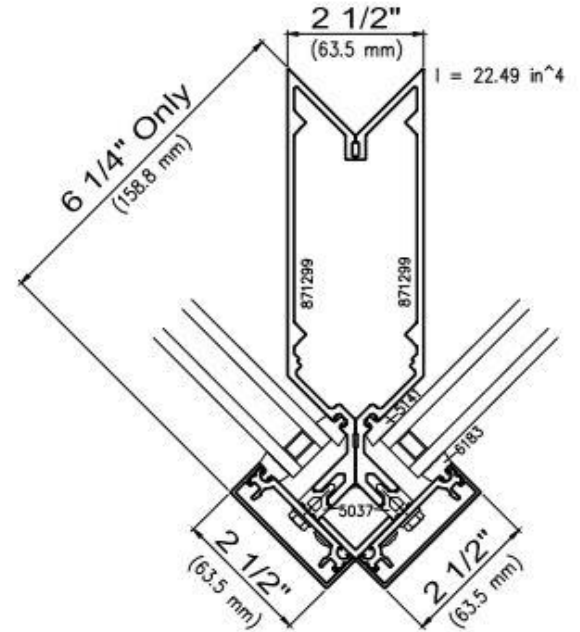
Structural System and Side connections

http://www.wausauwindow.com/resources/files/Wausau_SuperWall_Binder_Details_PDF.pdf

Connections onto the slab
and each component



The air barrier provides thermal resistance



10 Outside 90° Corner Captured Glazing

This is waterproofed through the gasket it helps prevent air and water getting in the system.

