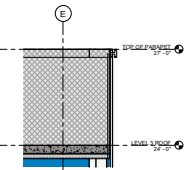
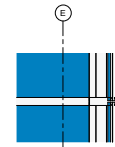


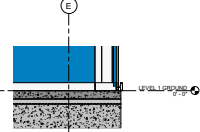
① CURTAIN WALL SECTION Copy 1
3'-11 1/2"



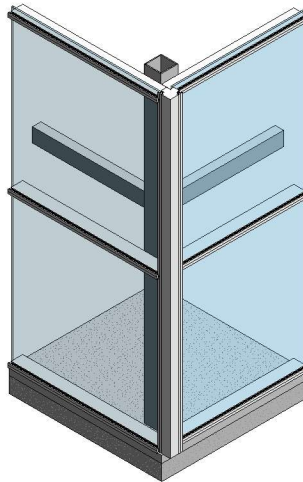
② Top Curtain Wall Copy 1
3'-11 1/2"



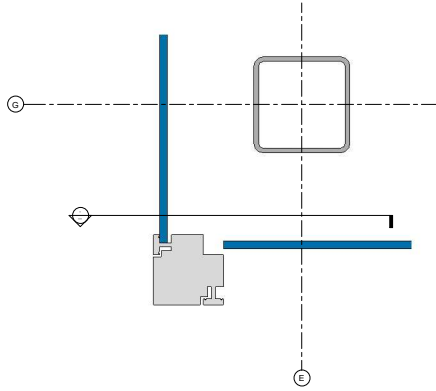
③ Middle Curtain Wall Copy 1
3'-11 1/2"



④ Bottom Curtain Wall Copy 1
3'-11 1/2"



⑤ Window Unit Copy 1



⑥ Vertical Mullen Copy 1
3'-11 1/2"

GLASS CURTAIN WALL		Juan Dirsio	
OPAQUE FACADE STUDY			
Checked By:	Piscal Kemp		
Drawn By:	Juan Dirsio		
Date:	4/29/2020		
Scale:	As Indicated		
Project Number:	V-102	Project Number	