

TERRACOTTA WALL ASSEMBLY

ARCH2431

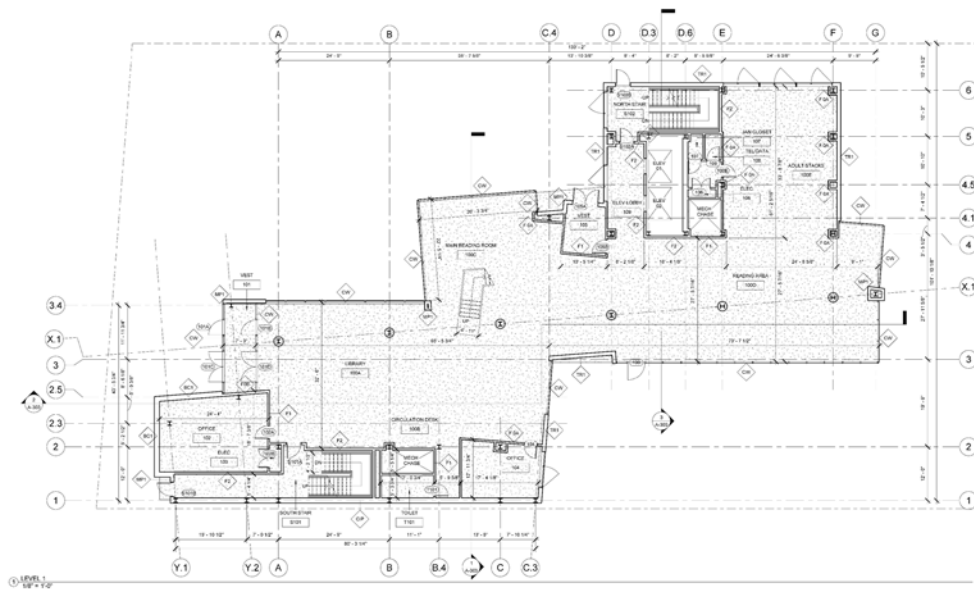
OLIVER HADI

PROF KING

REFERENCED PROJECT

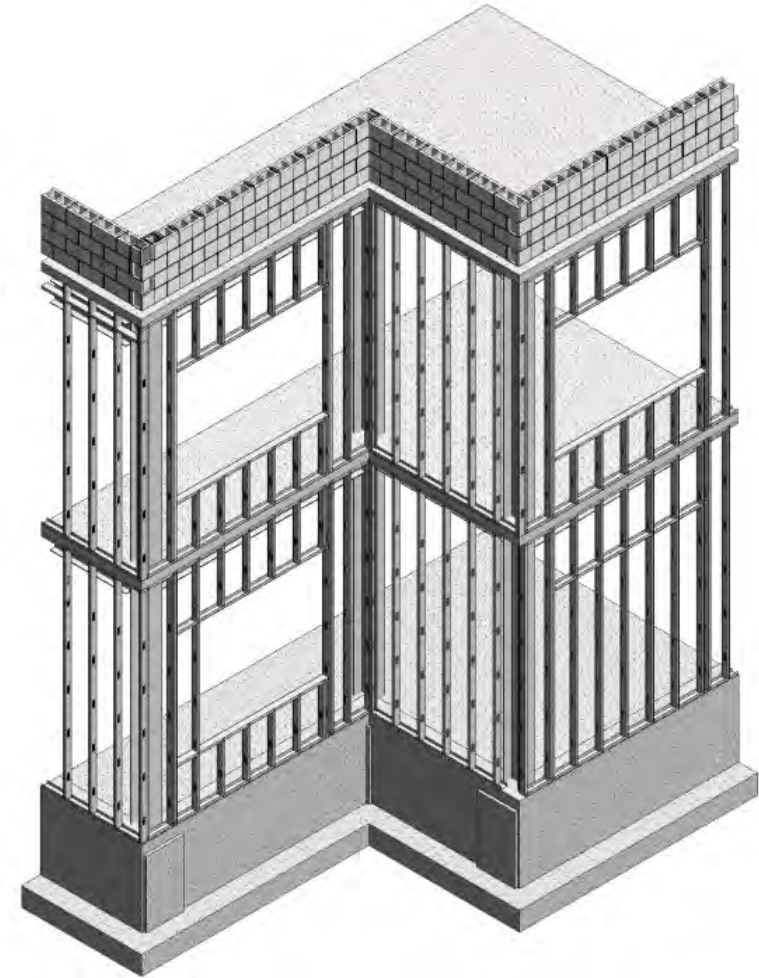
Elmhurst Branch Library,
Queens

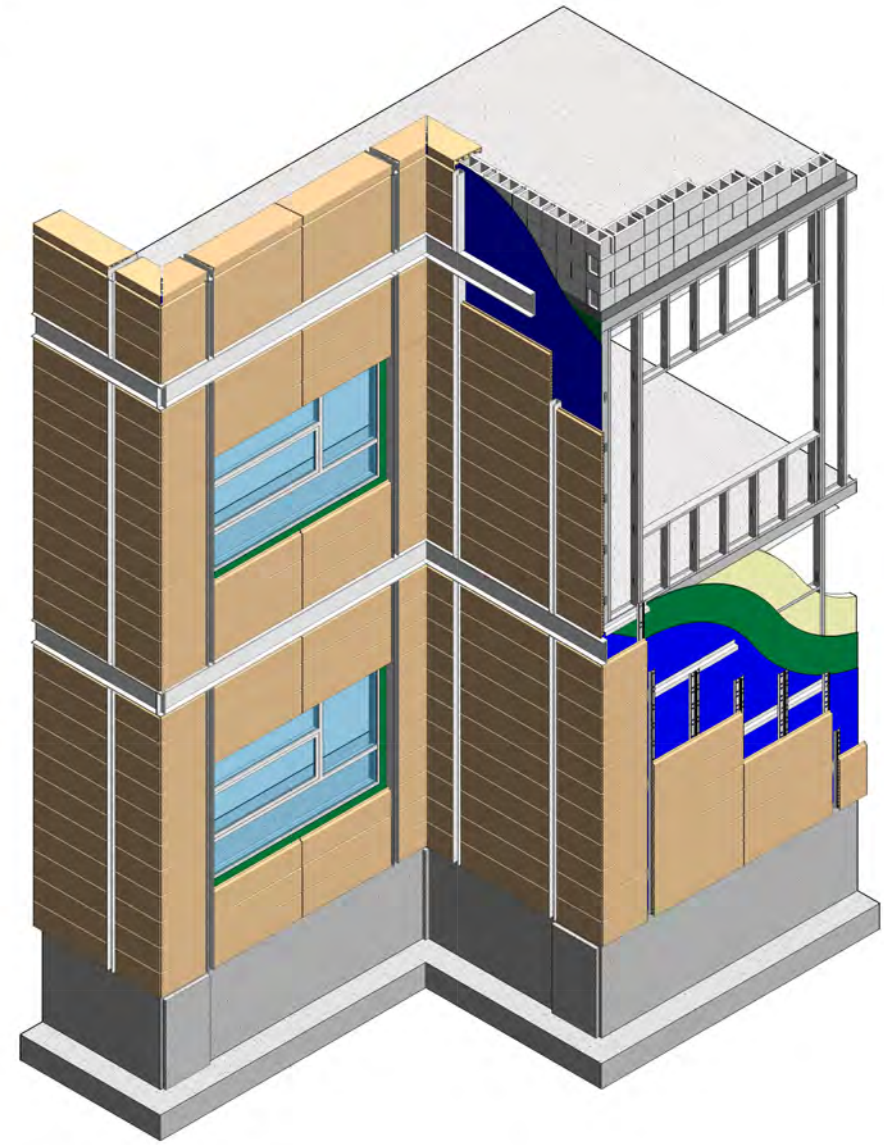
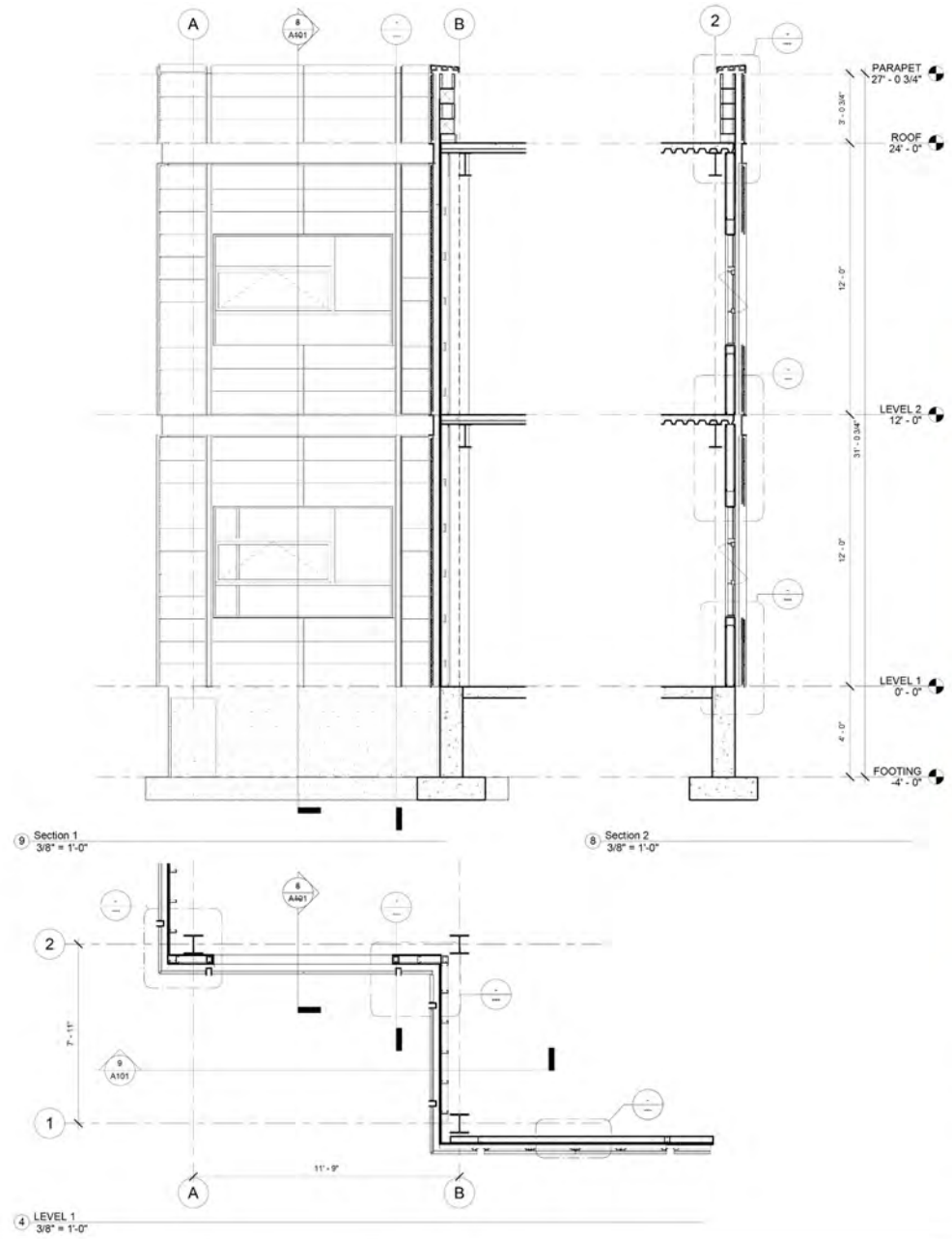
Marpillero Pollak Architects



STRUCTURAL ISO

- Primary structure:
Composite corrugated metal deck supported by steel girders and columns
- Secondary structure:
 - Gypsum wall board(GWB) on cold formed metal studs)
 - Concrete masonry unit(CMU) coursing for parapet
- Foundation:
Cast in place(CIP) concrete

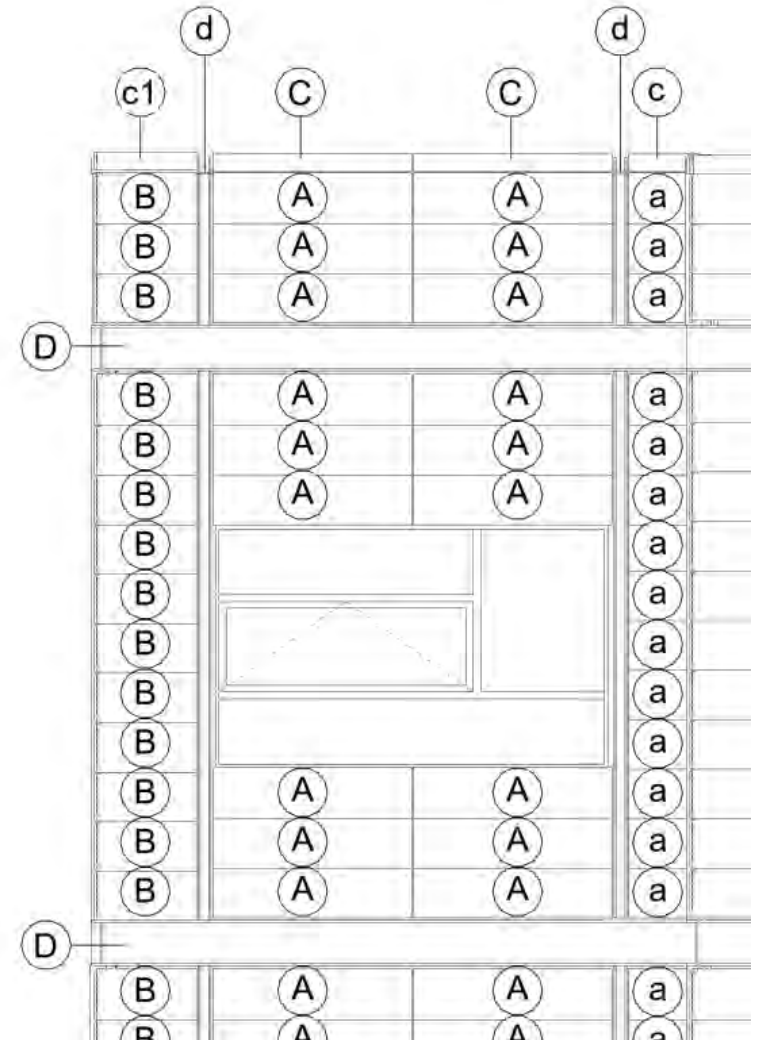




MATERIAL SCHEDULE

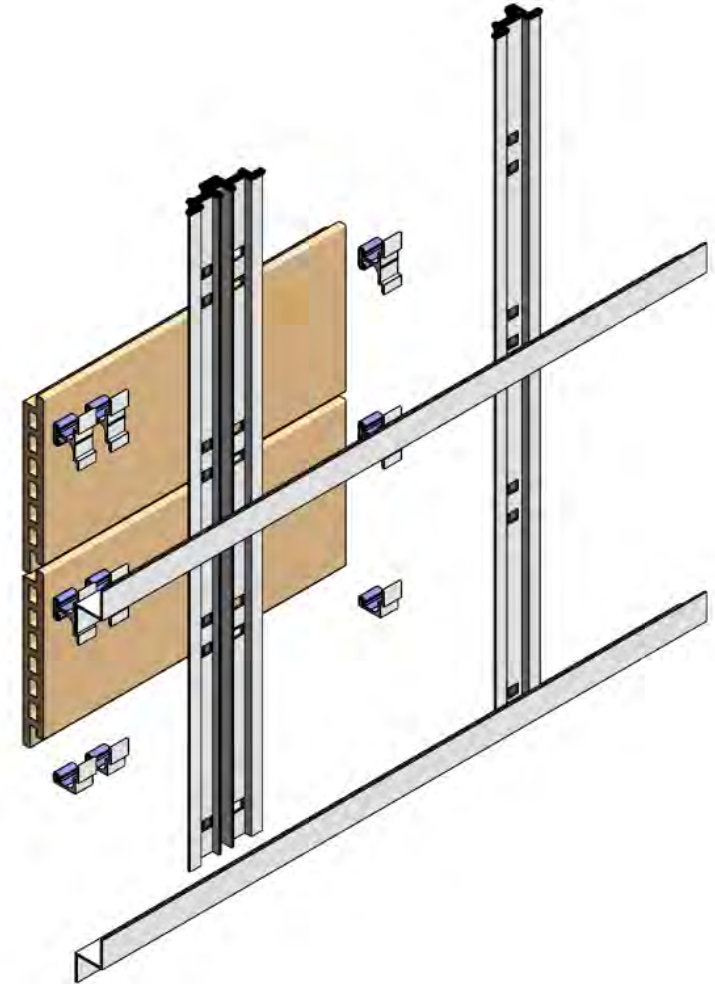
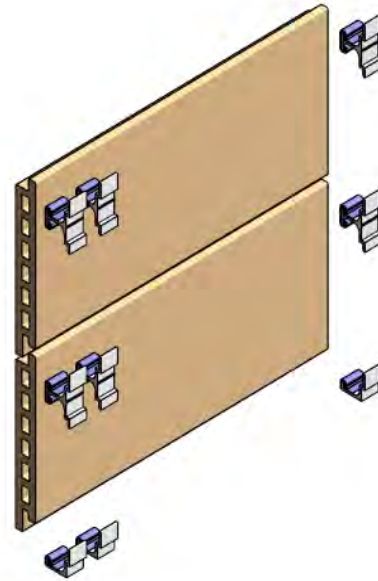


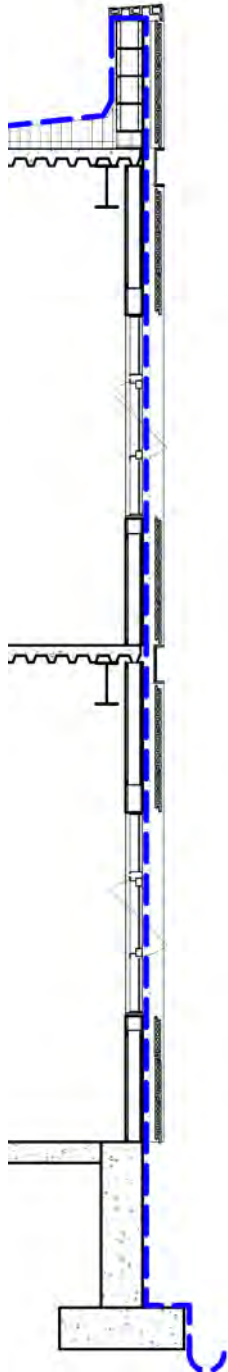
- Terracotta types and sizes
 - "A" 4'x1'x1 5/8" panel /"a" for cutting
 - "B" 2'x1'x1 5/8" corner panel with 45° precut
 - "c1" Parapet coping – 2' with 45° precut
 - "C" Parapet coping – 4' /"c" for cutting
- Aluminum channel sizes
 - "D" 11"x3" horizontal member
 - "d" 3"x4" vertical member



SUBSTRUCTURE SCHEDULE

- Steel Zee channel in 10' increments
- Terracotta aluminum track – by Boston Valley
 - two sided
 - one sided
- Clips and rubber clip heads
 - 4 pieces per panels





AIR/VAPOR BARRIER +FENESTRATION

Tremco 116 Vulkem
Polyurethane High-
Performance Sealant



White Premium Reinforced PVC
Roofing Membrane 45 mil

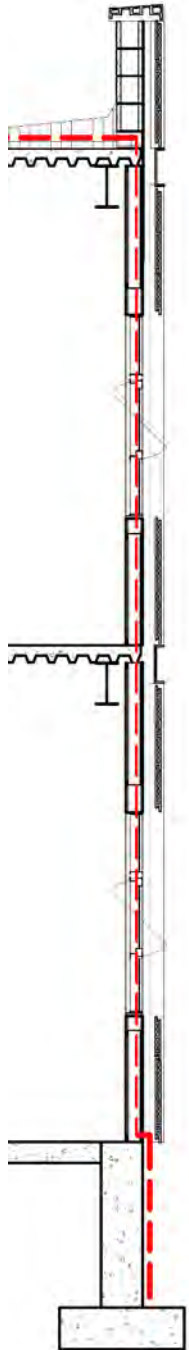


Henry Blueskin SA
VP160 Membrane



GLASSvent™ UT
(Ultra Thermal)
Windows





THERMAL BARRIER +FENESTRATION

ROCKWOOL Mineral Wool
insulation – 2" & 3 ½"

Dimensions:

24" x 48" (610 mm x 1219 mm)

16" x 48" (406 mm x 1219 mm)



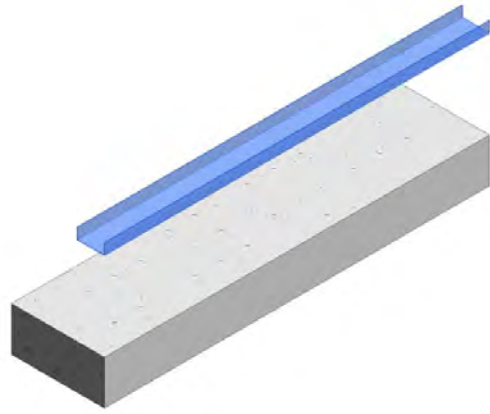
Isokorb® structural thermal break
for concrete parapet connections

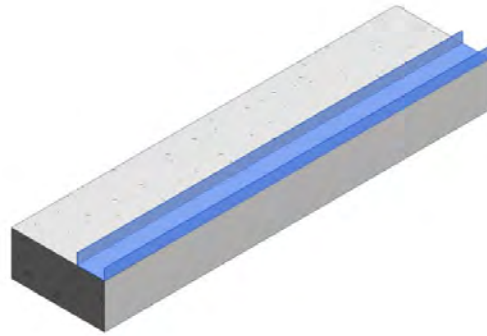


GLASSvent™ UT (Ultra Thermal
Windows)

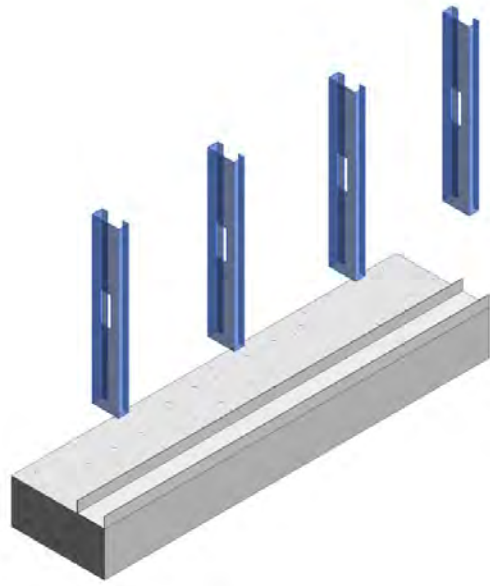


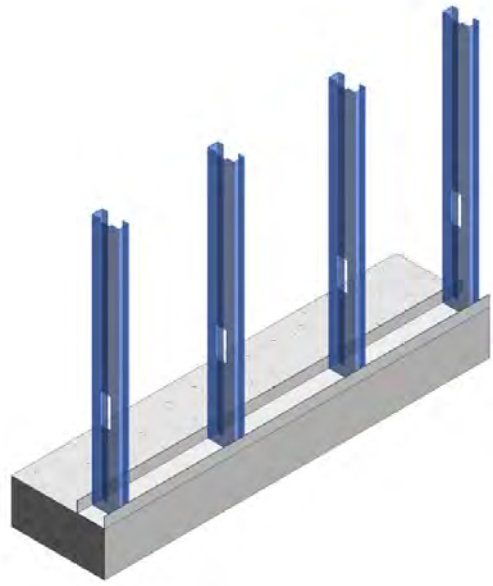


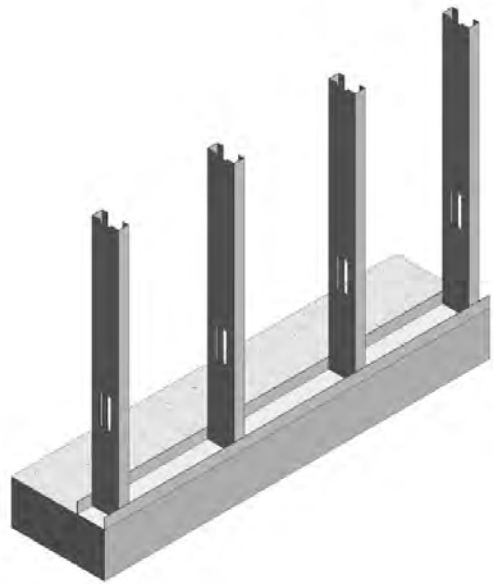


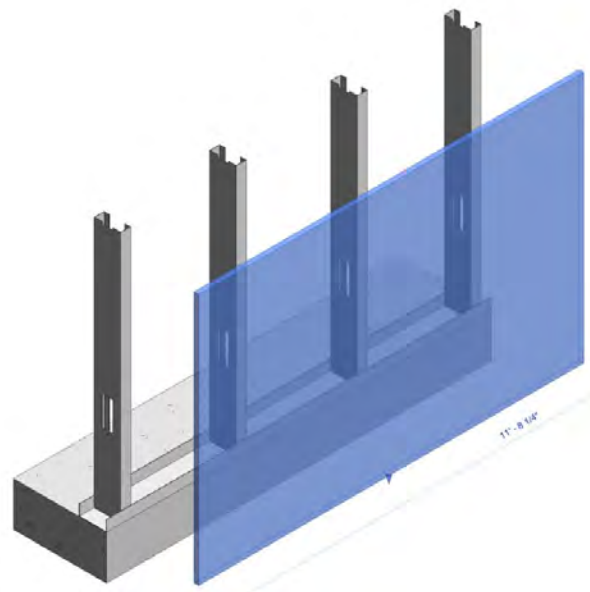












11" 0 1/4"

