

THE NEW MUSEUM

FAÇADE DETAILS EXPLAINED

ARCHITECT: KAZUYO SEJIMA & RYUE NISHIZAWA/ SANAA

ARCHITECT OF RECORD: GENSLER

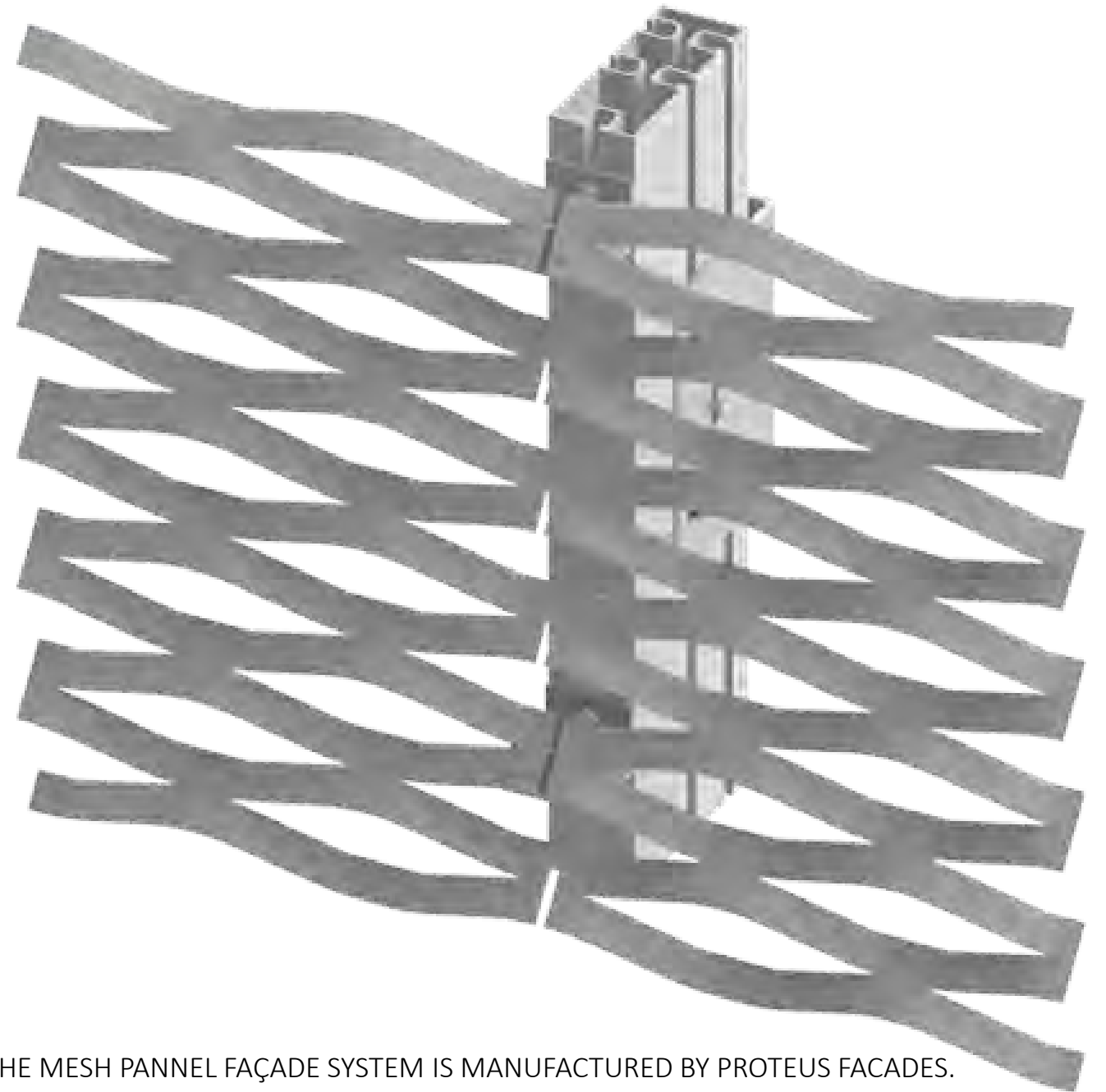
STRUCTURAL ENGINEER: GUY NORDENSON AND ASSOCIATES

ASSOCIATE STRUCTURAL ENGINEER: SIMPSON GUMPERTZ & HERGER

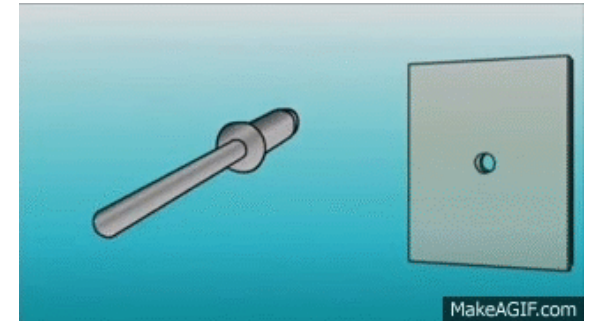
CONSULTING STRUCTURAL ENGINEER: SASAKI AND PARTNERS



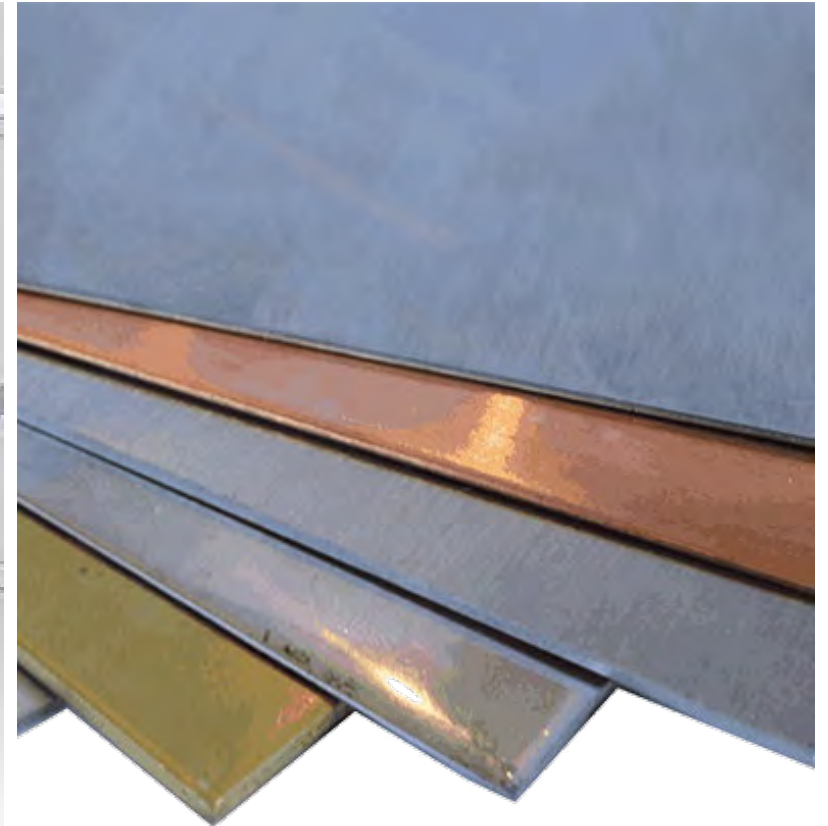
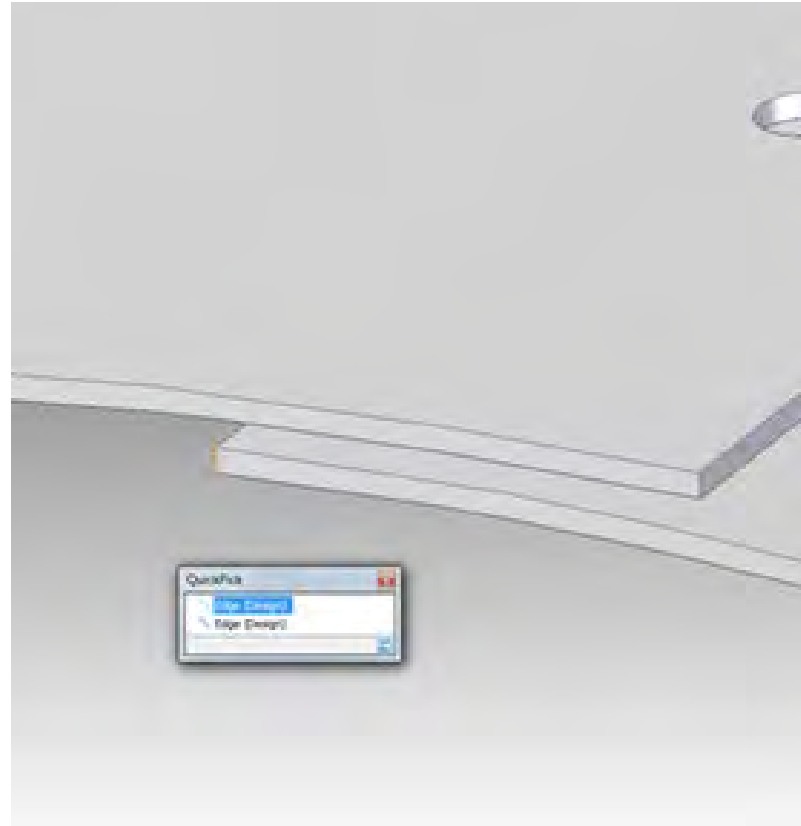
Mesh Panel System



THE MESH PANNEL FAÇADE SYSTEM IS MANUFACTURED BY PROTEUS FACADES.

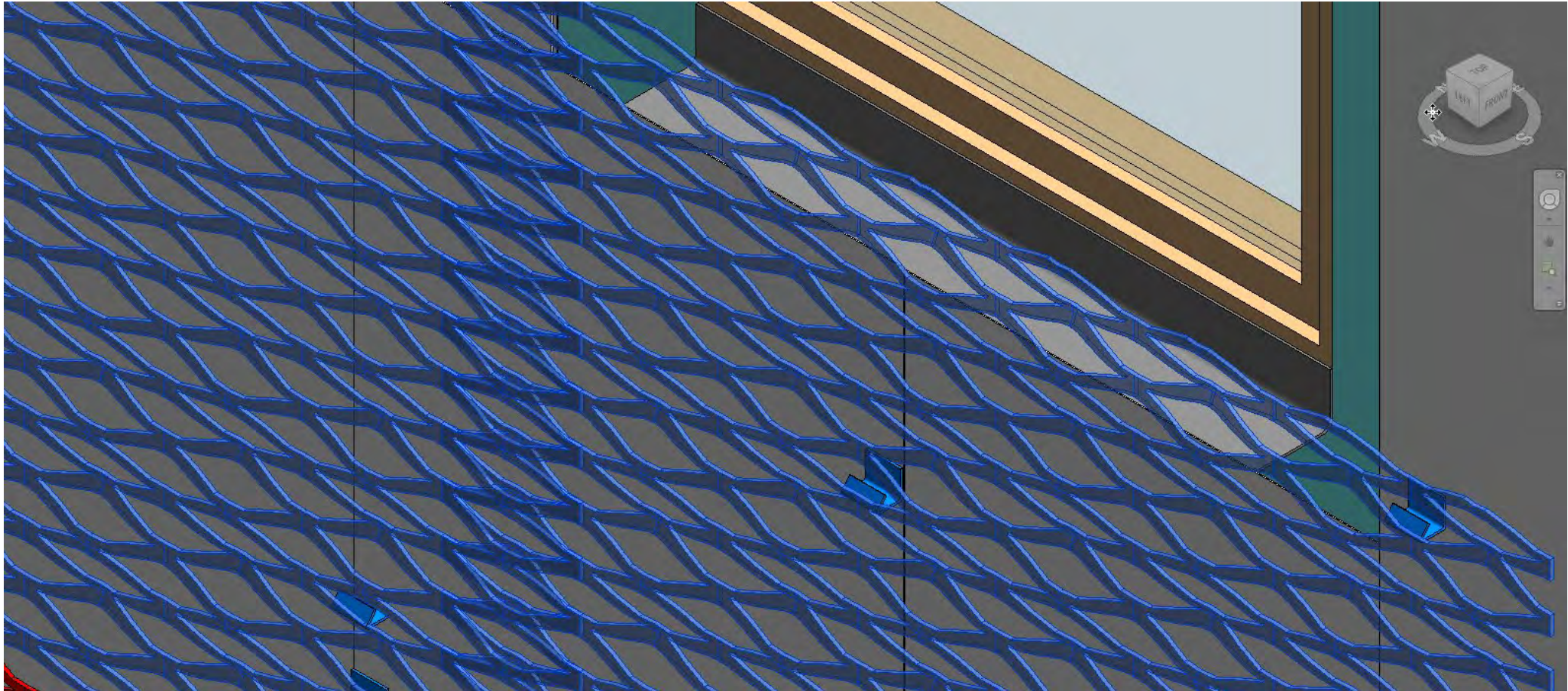


MESH TO CLIP J-CLIP CONNECTION

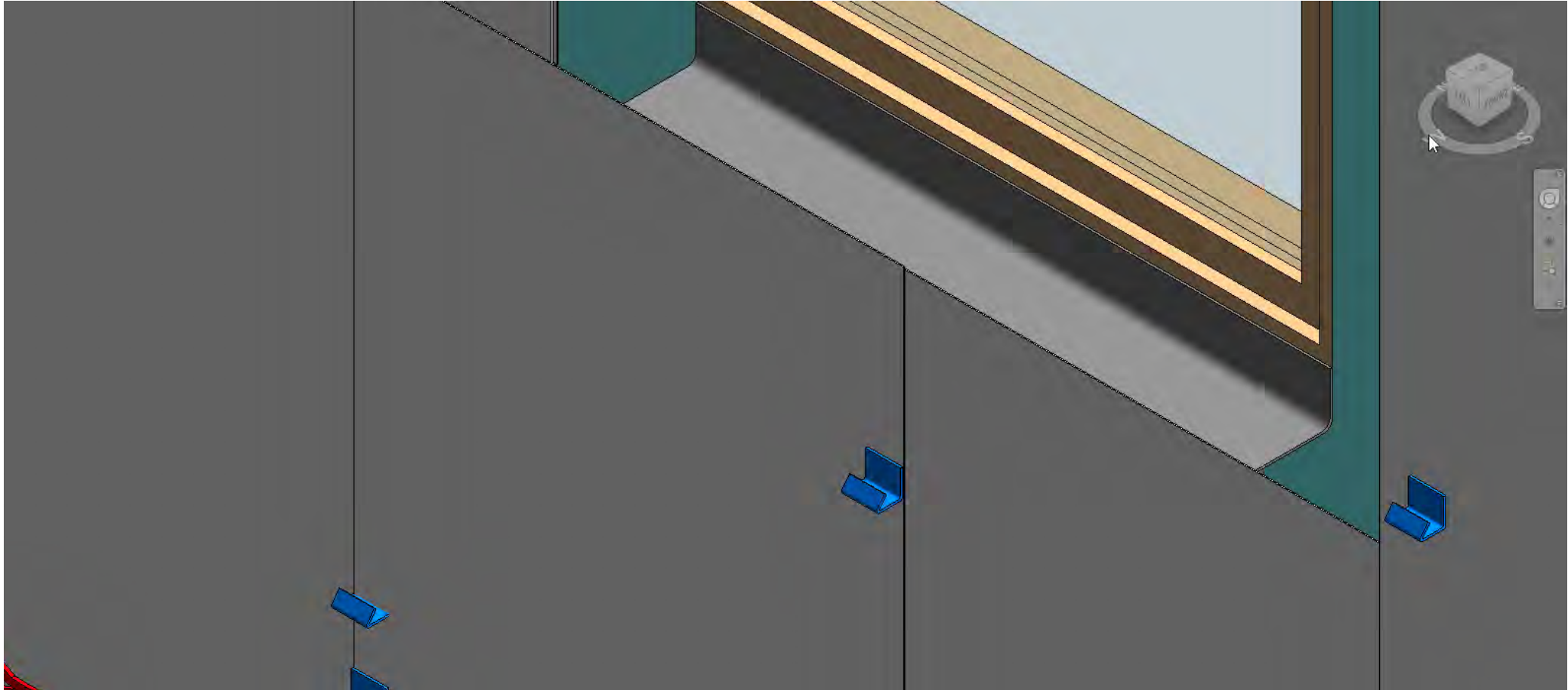


MESH TO CLIP J-CLIP CONNECTION

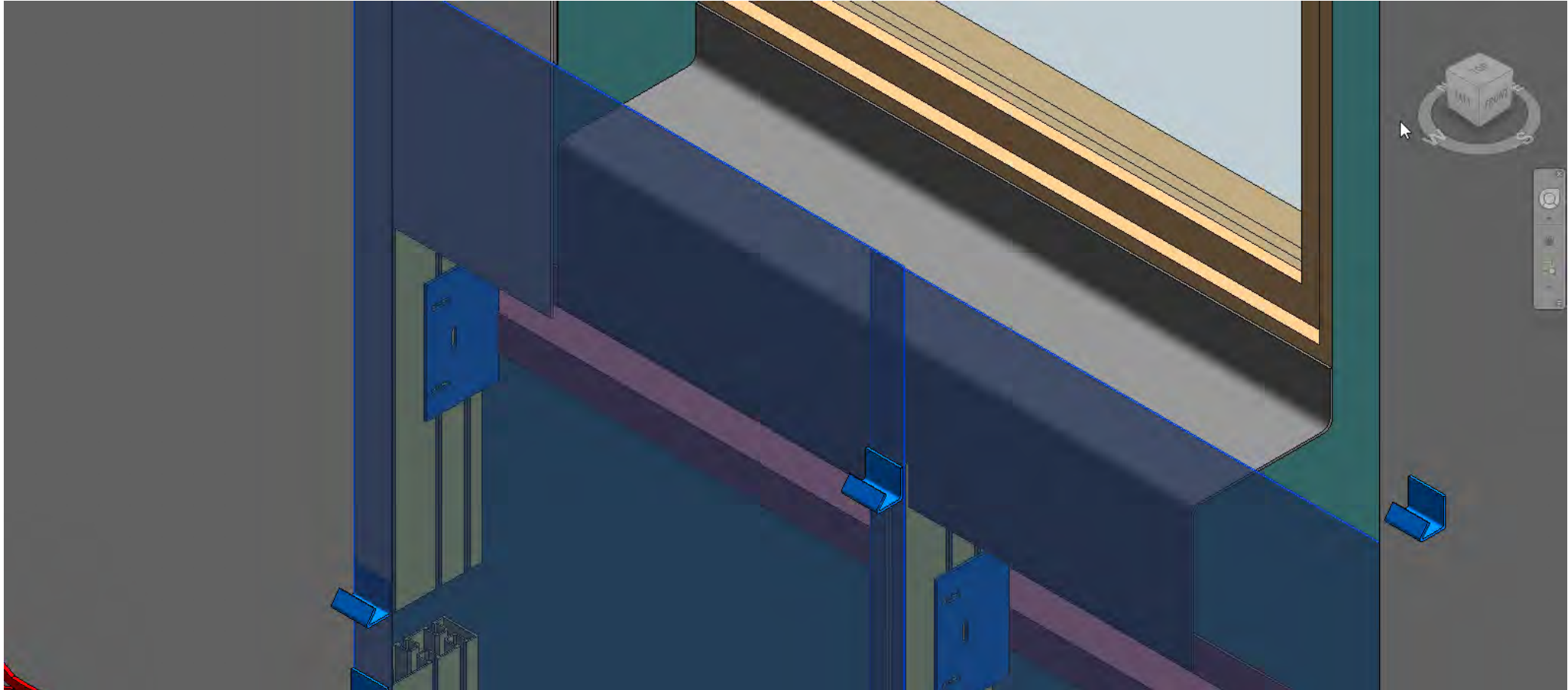
CONNECTION SEQUENCE



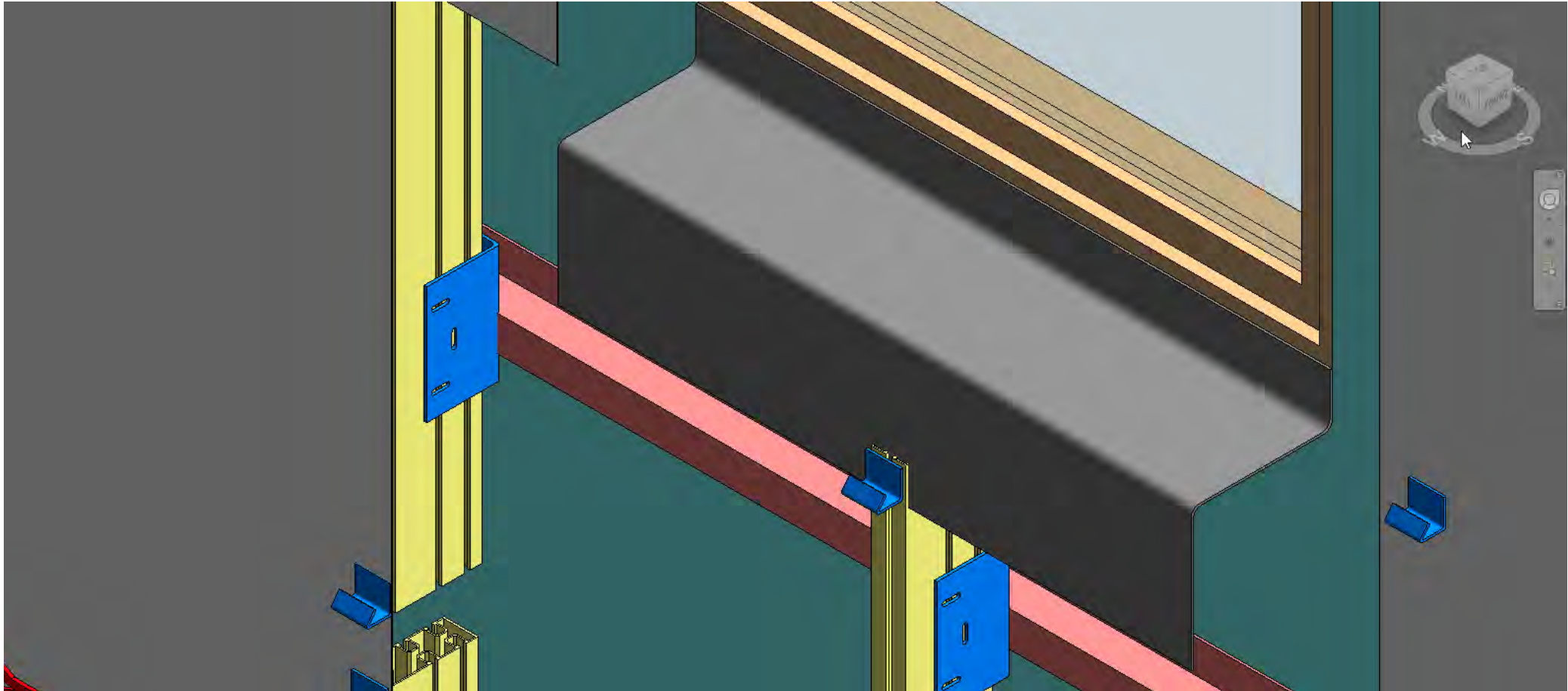
CONNECTION SEQUENCE



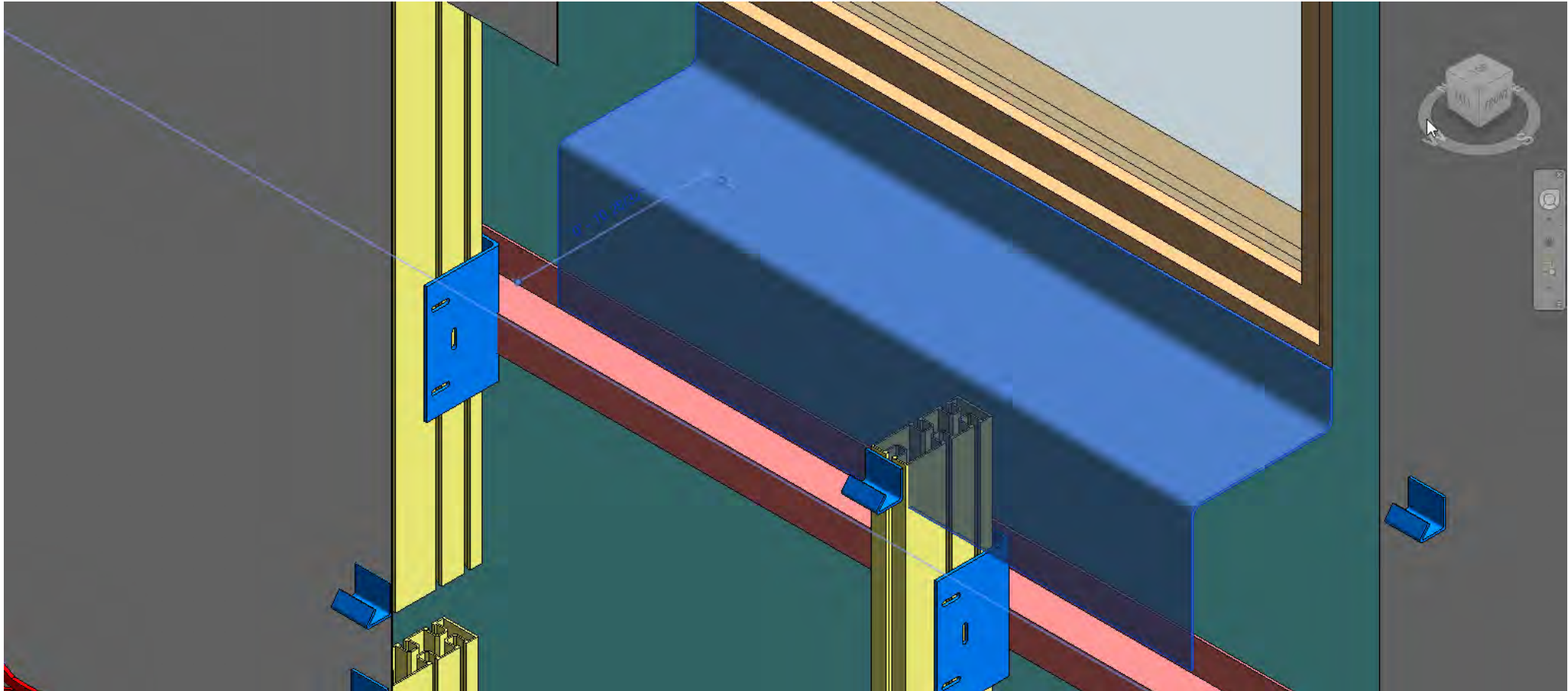
CONNECTION SEQUENCE



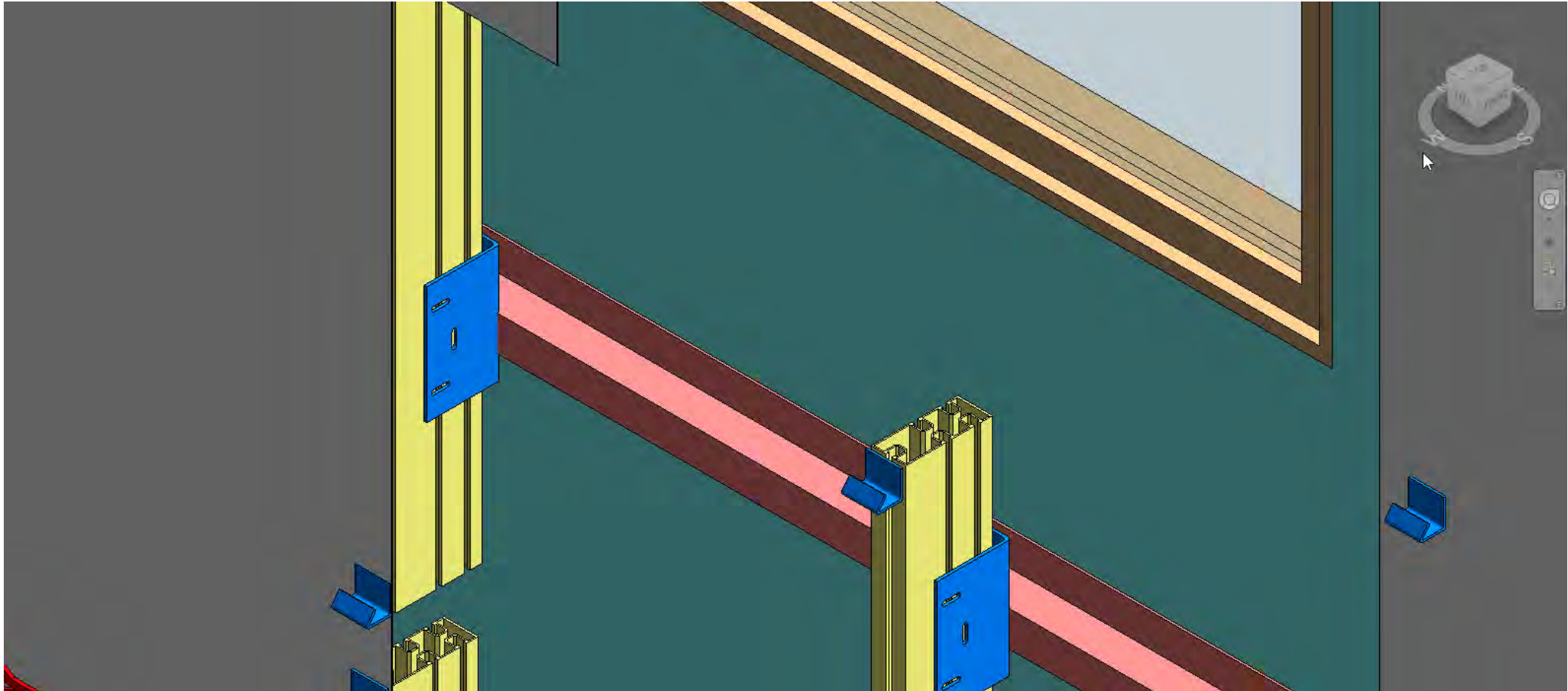
CONNECTION SEQUENCE



CONNECTION SEQUENCE

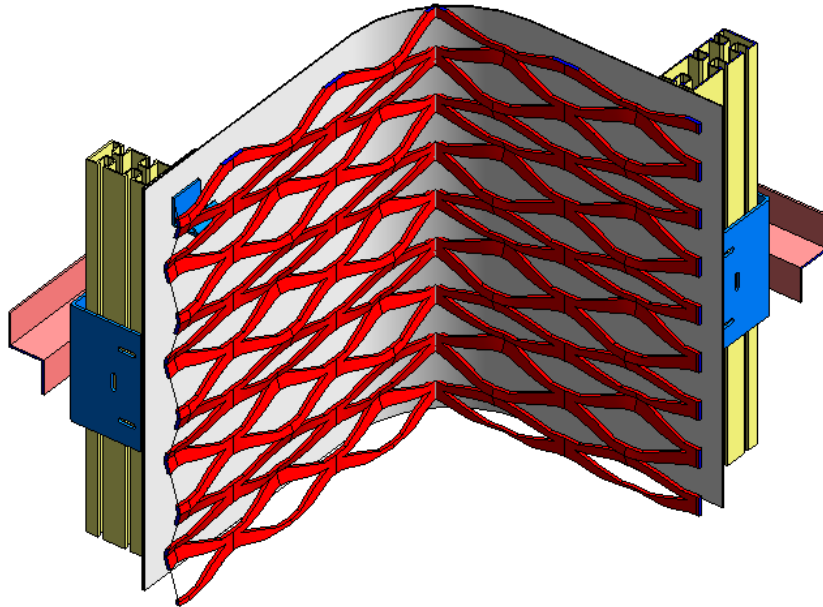


CONNECTION SEQUENCE

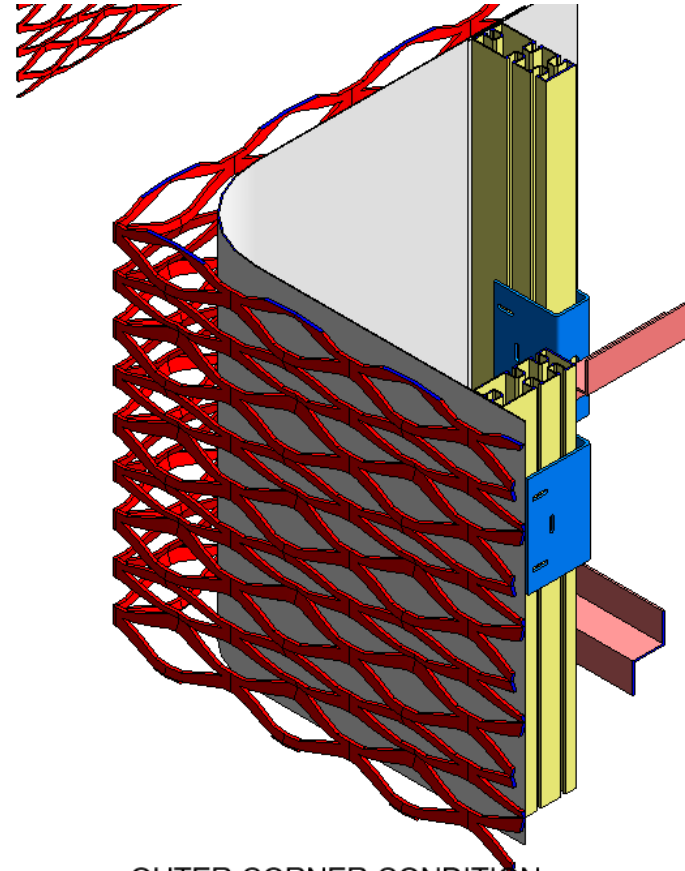


CONNECTION SEQUENCE

① EXPLODED WALL SYSTEM 2



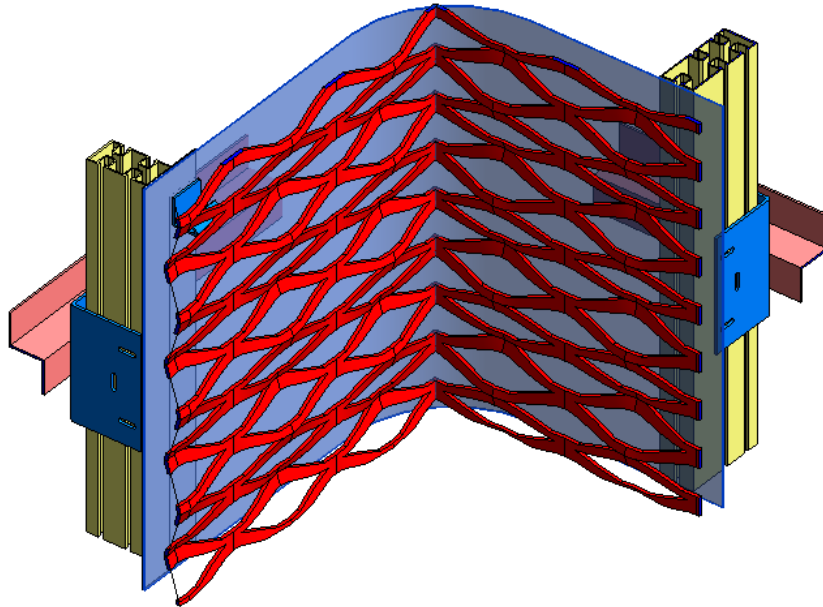
② CORNER CONDITION



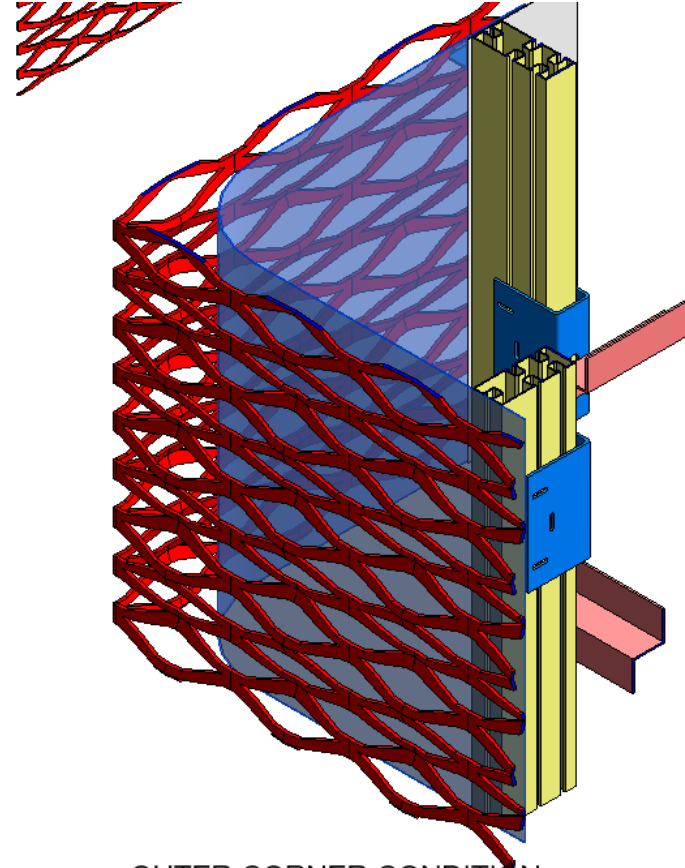
③ OUTER CORNER CONDITION

CONNECTION SEQUENCE

① EXPLODED WALL SYSTEM 2



② CORNER CONDITION



③ OUTER CORNER CONDITION