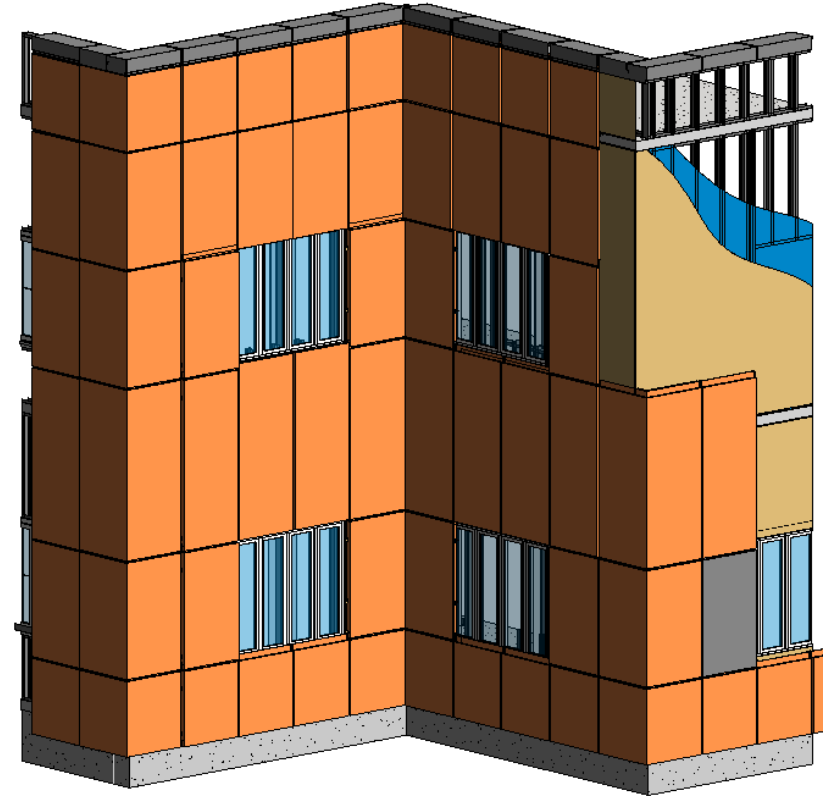


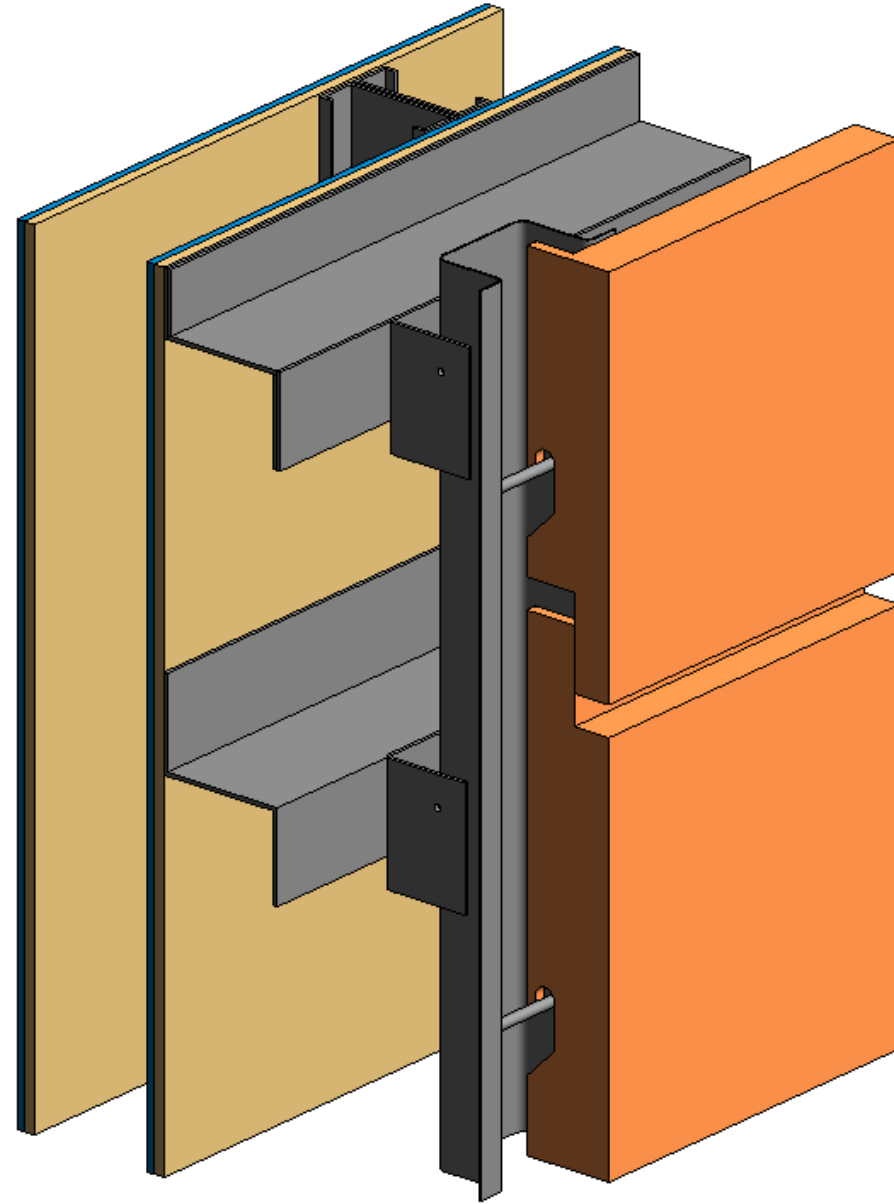
Farai Matangira
BTech III – Metal Panel Facade Systems
Prof. Paul King
Fall 2019

Copper Rainscreen Panel System

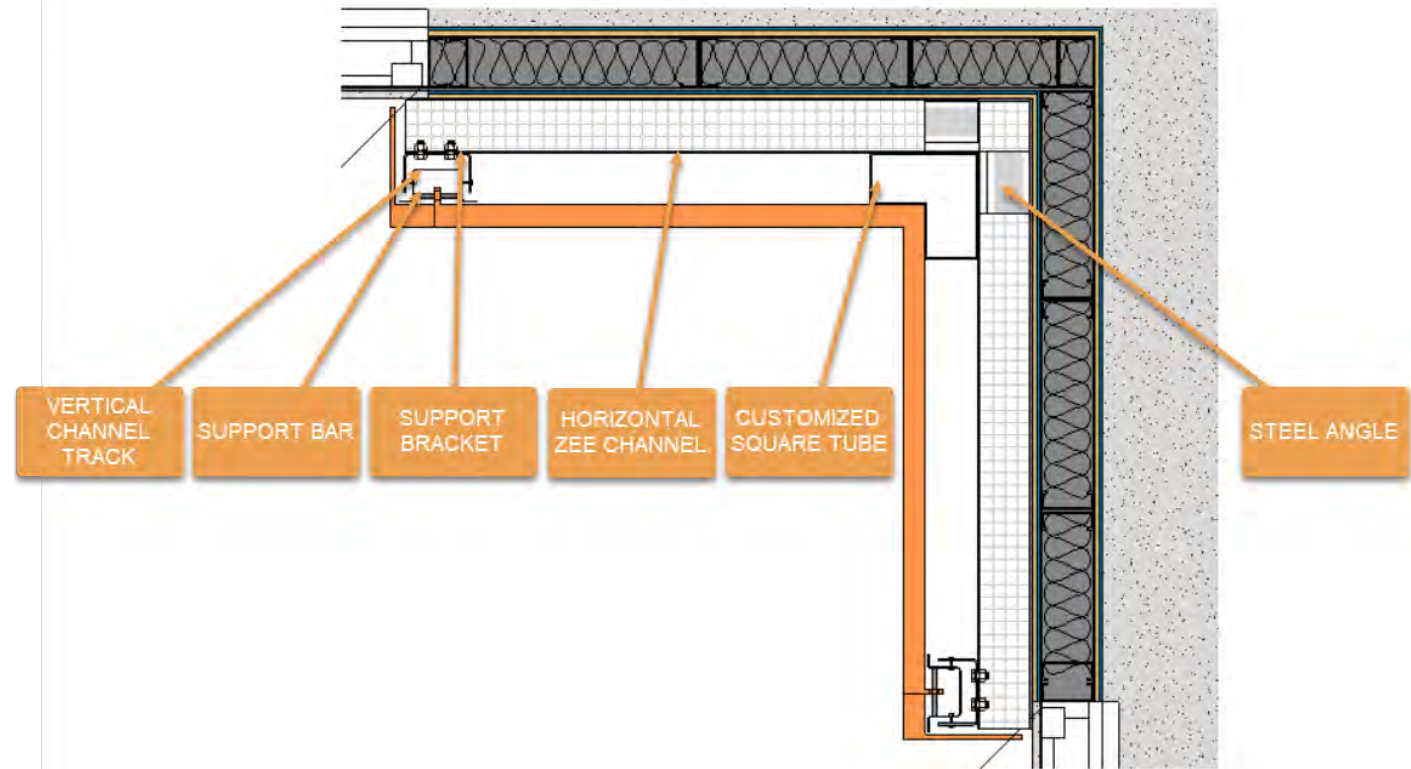
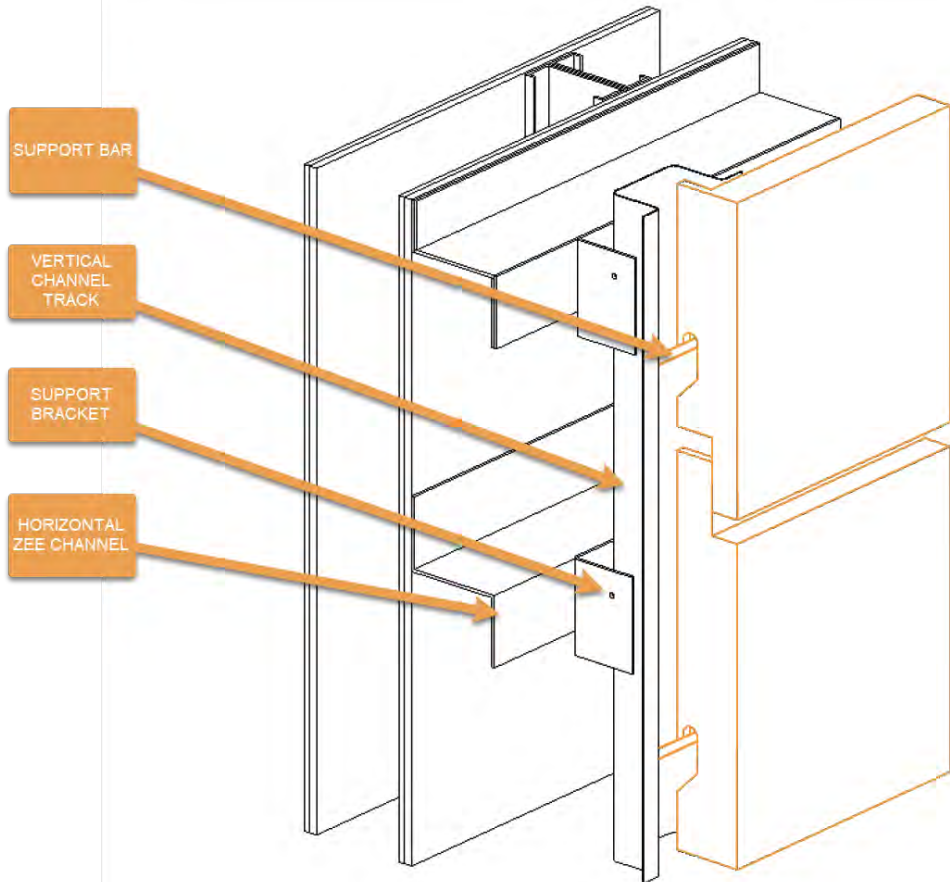


Description

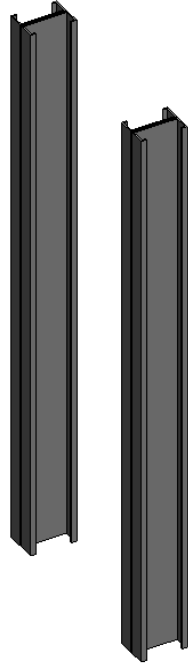
- System uses metal support brackets and channel tracks to carry the copper panels
- The panels are fastened by means of a hanging system, which uses support bars to hang the panels onto the vertical channel.
- The copper panels act as a lightweight finish screen.
- Backup wall system is a watertight double stud Gypsum Wall Board.



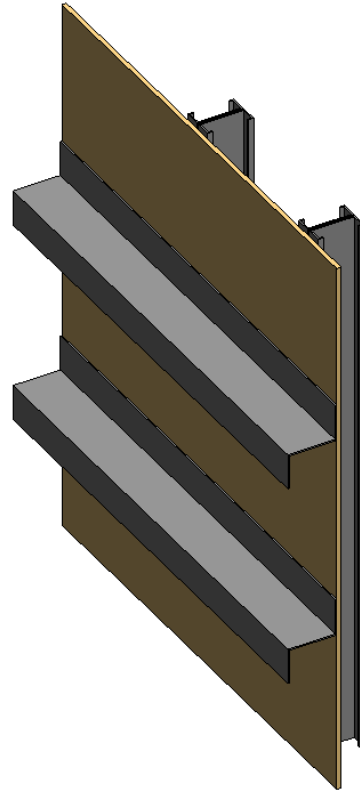
Description



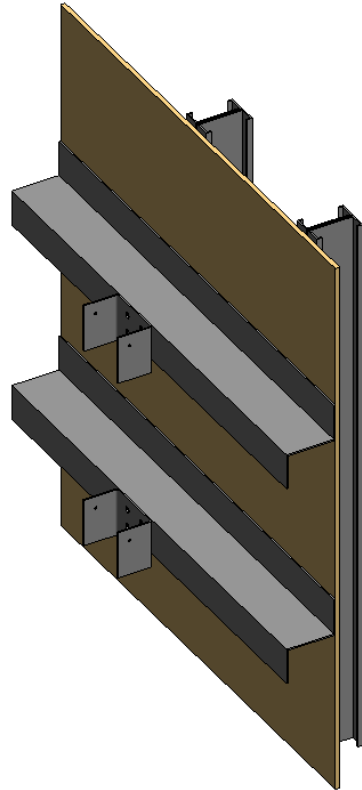
Installation



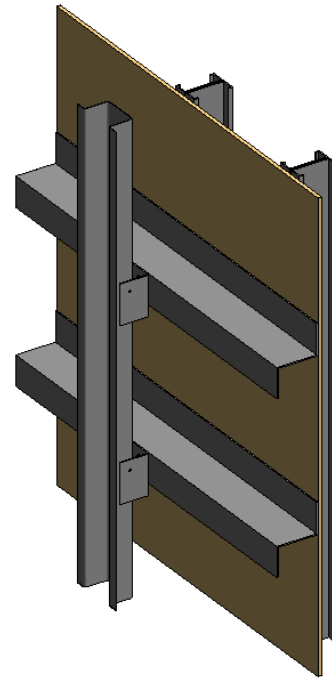
Installation



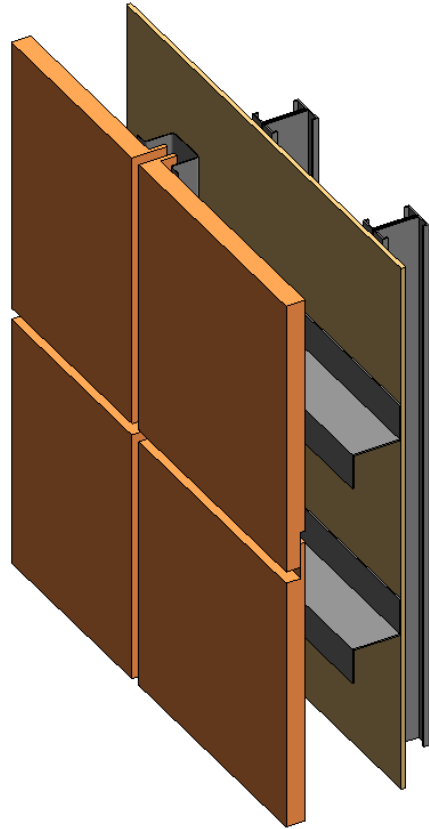
Installation



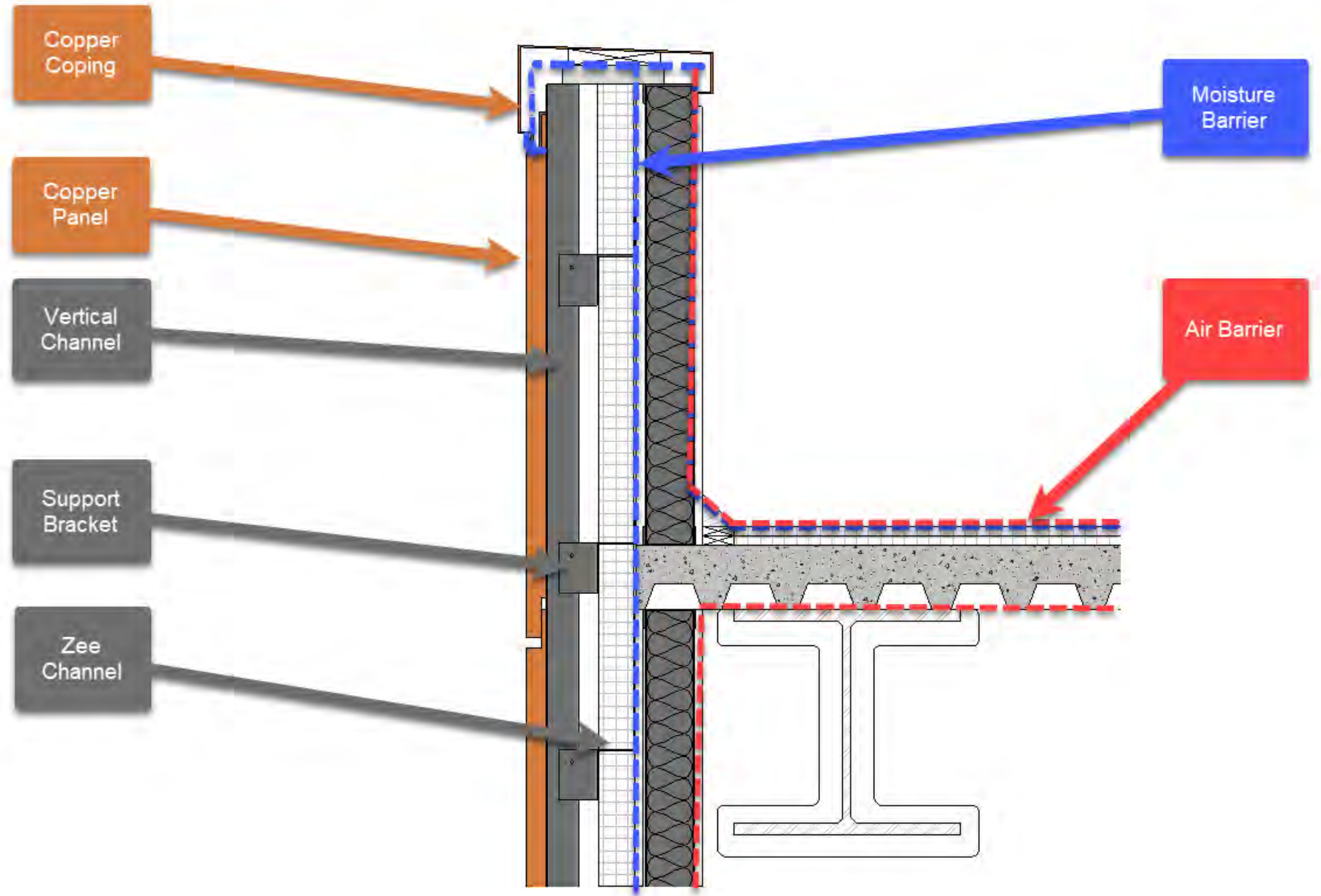
Installation



Installation

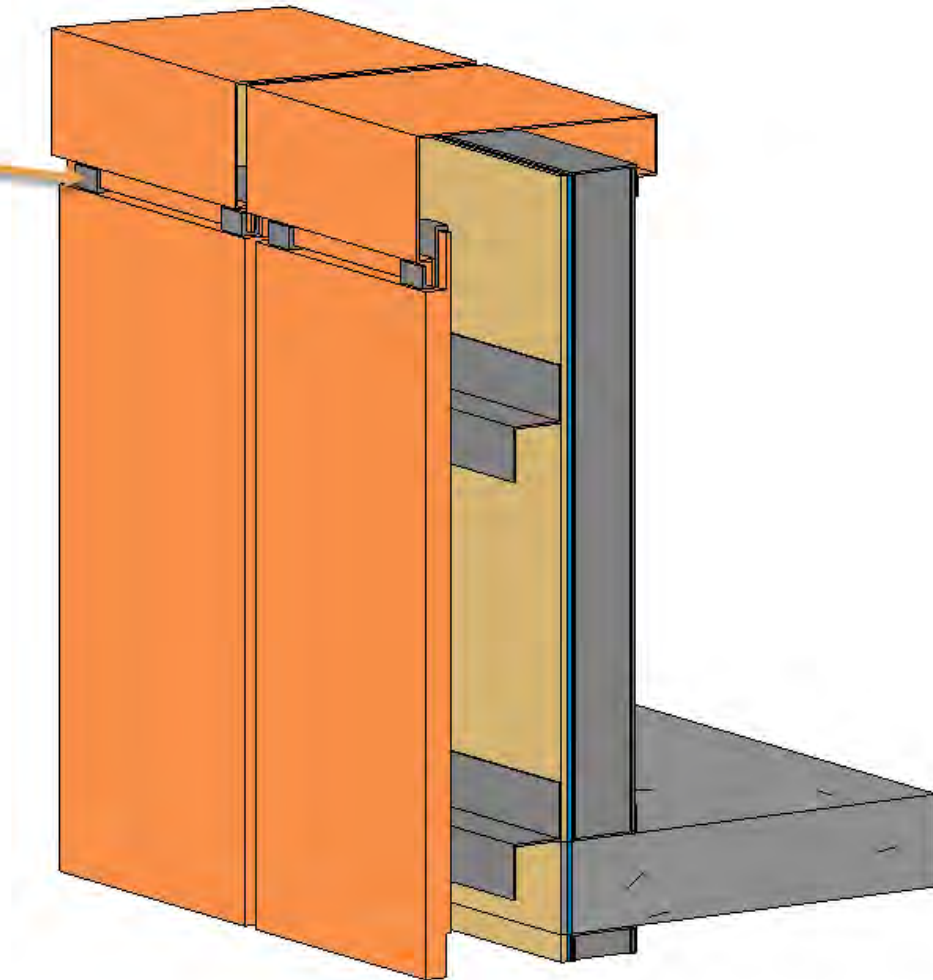


Parapet

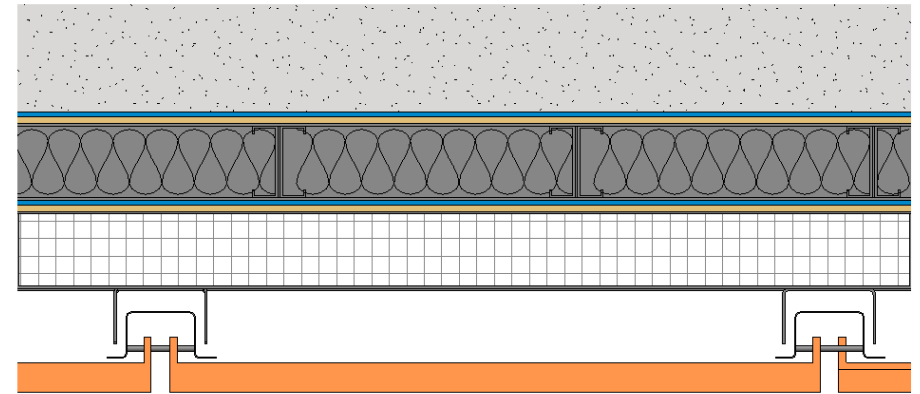
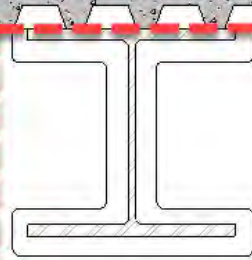
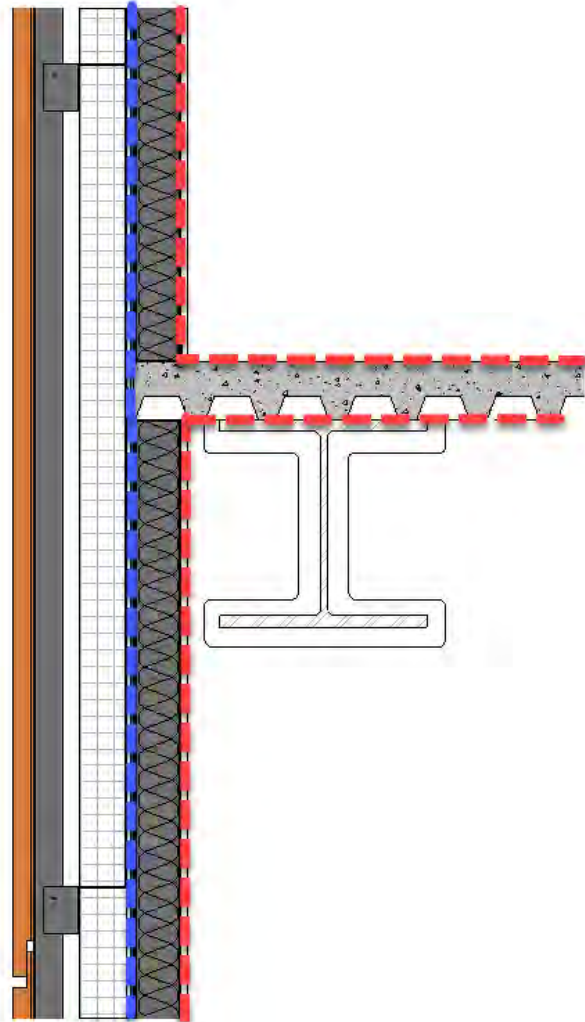
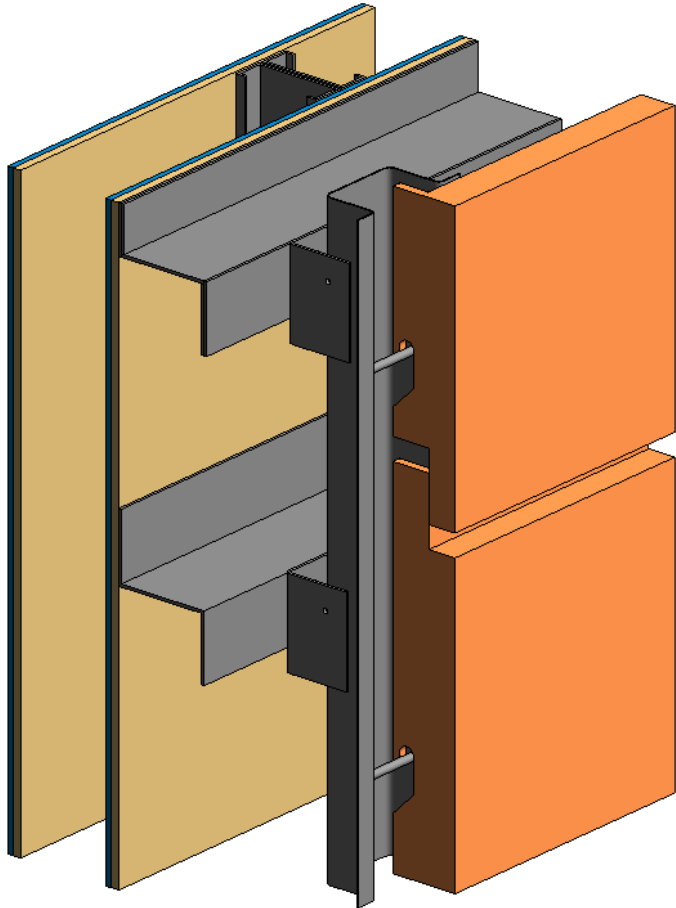


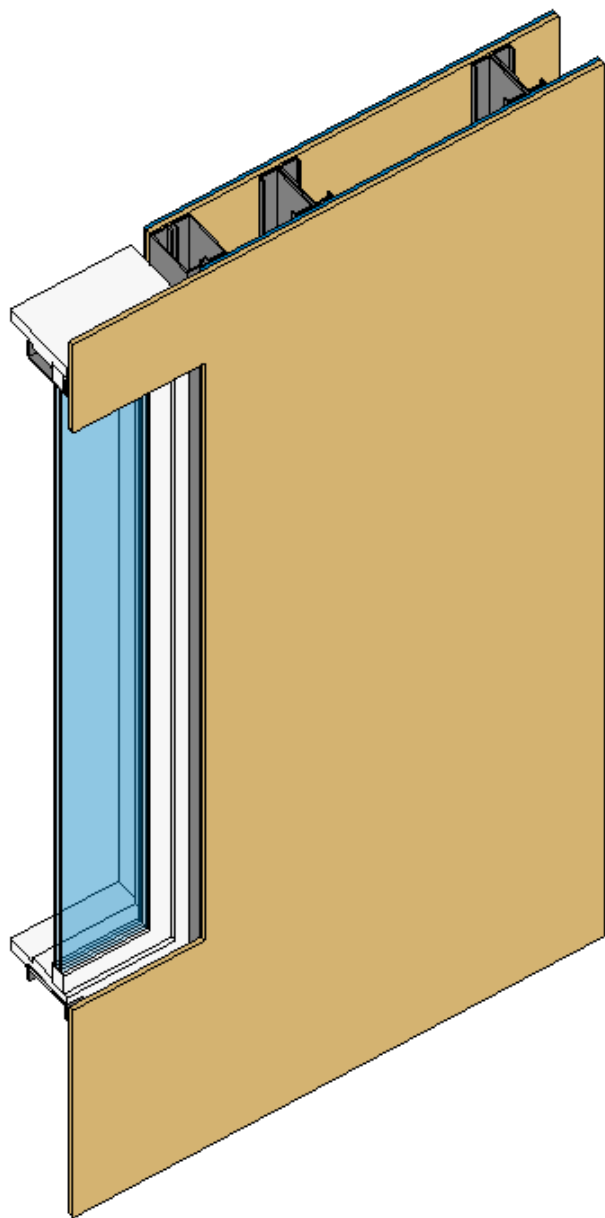
Parapet

STEEL
J CLIP

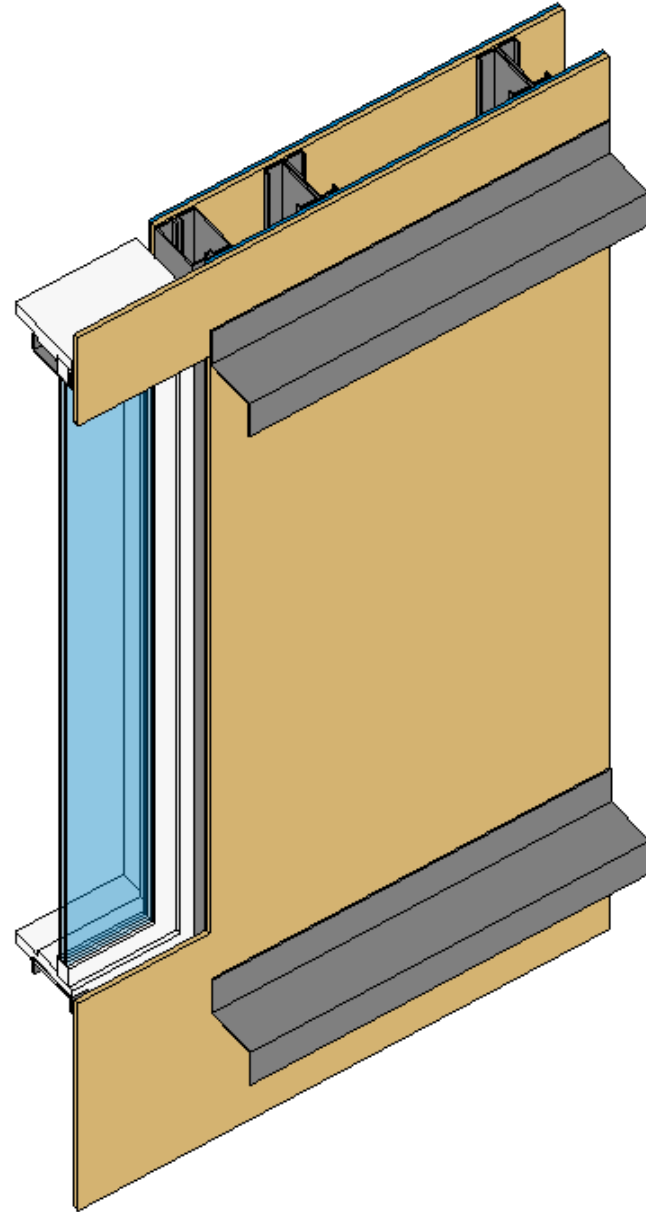


Typical Panel

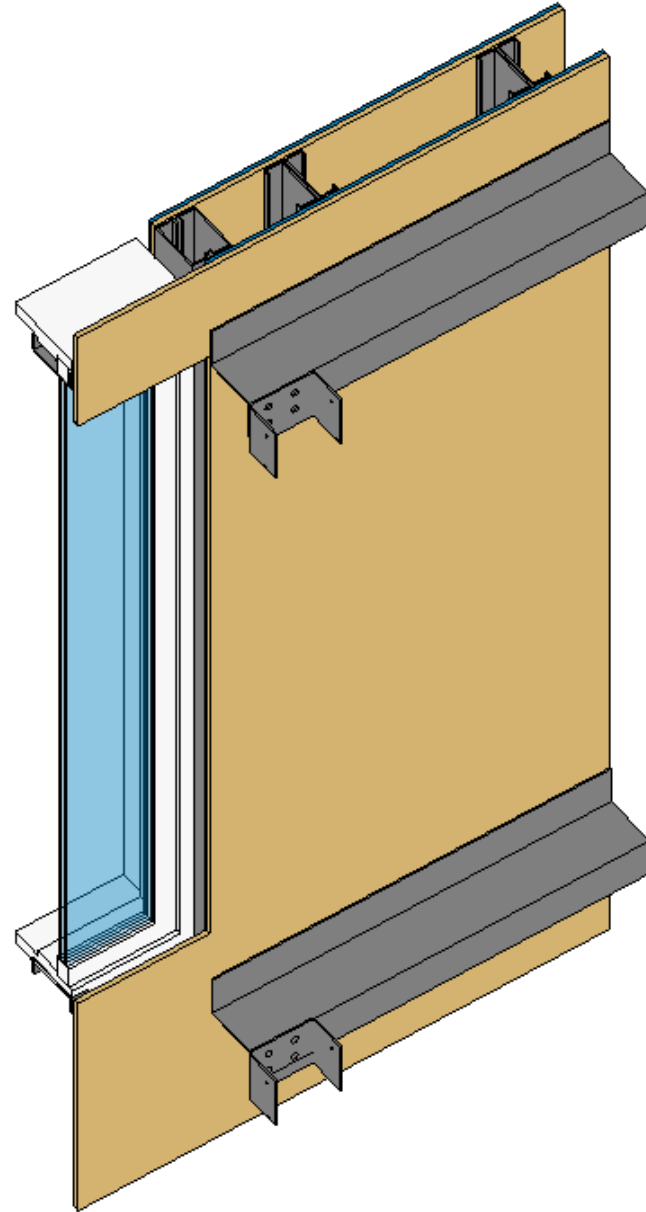




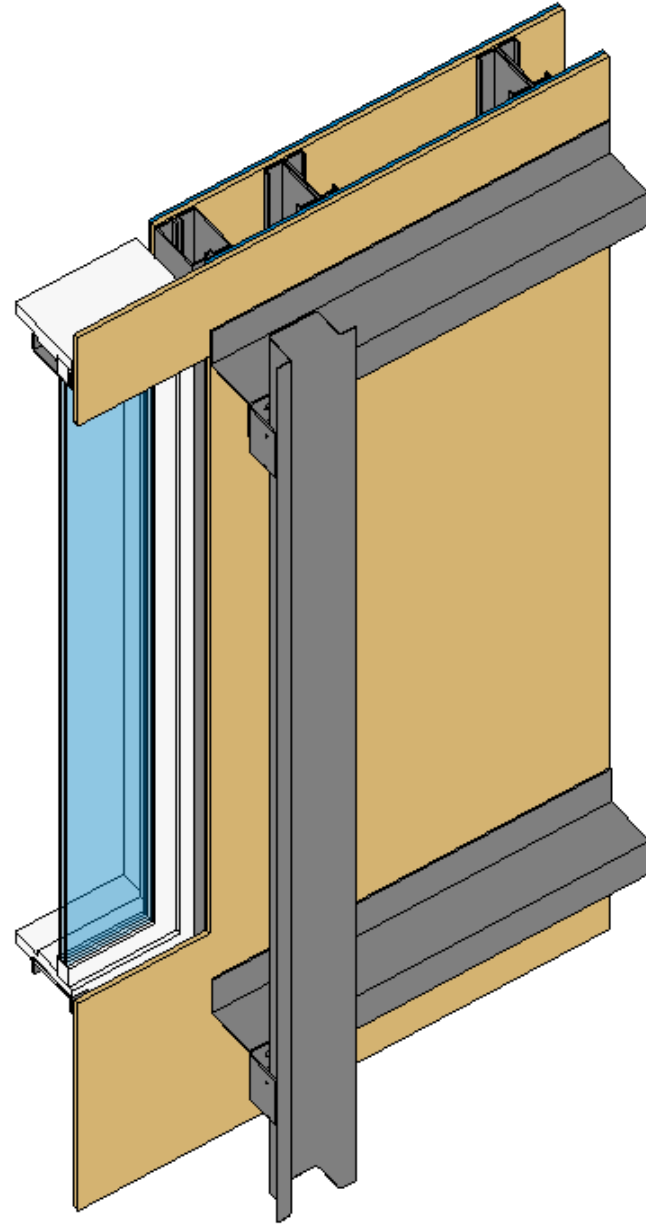
Panel @ Window
Installation



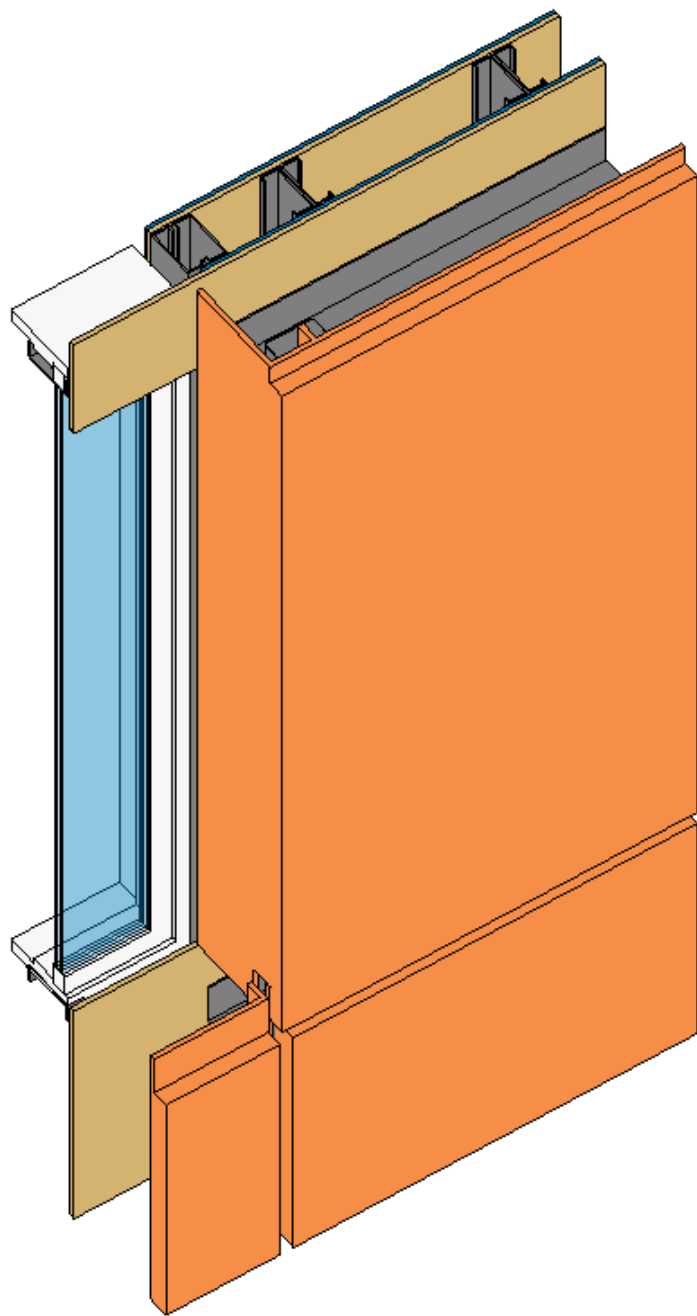
Panel @ Window



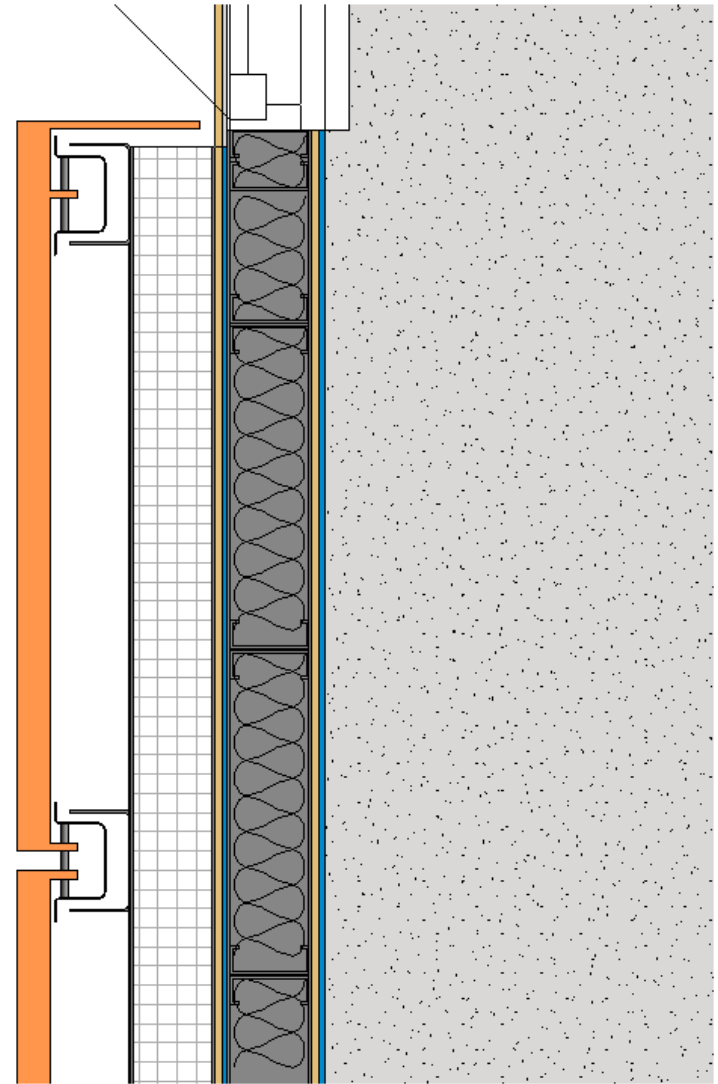
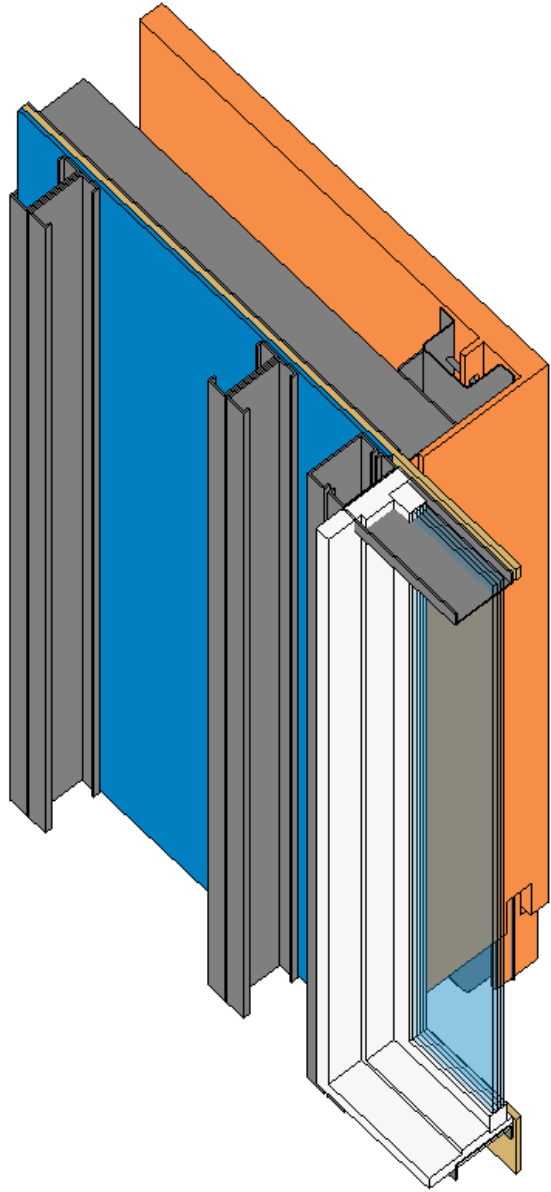
Panel @ Window



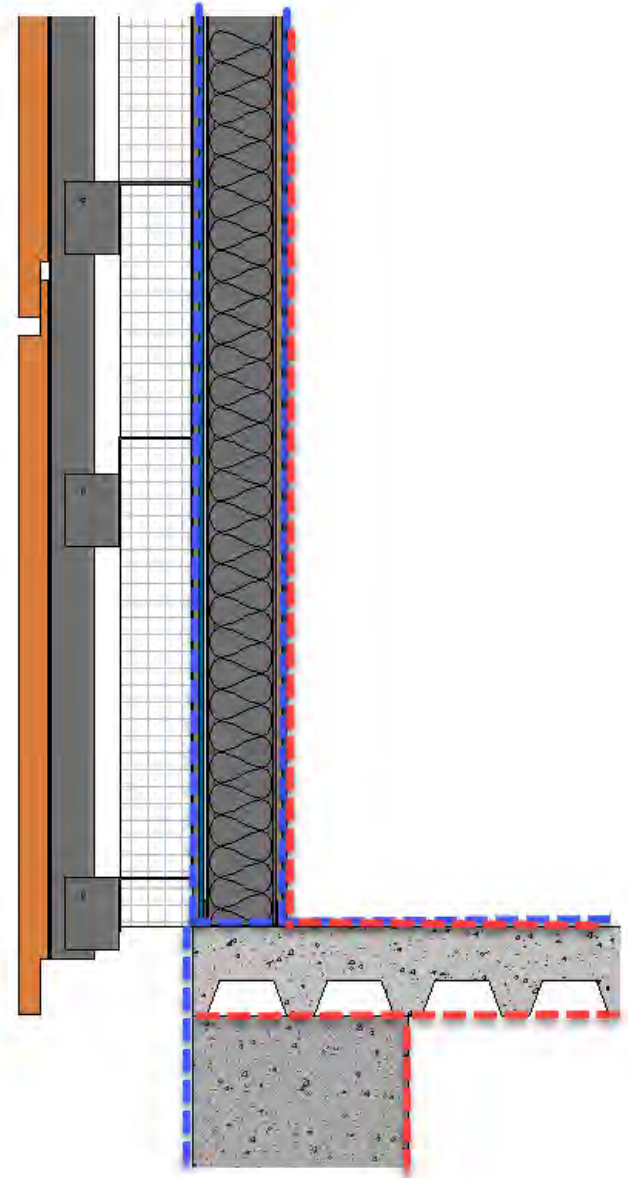
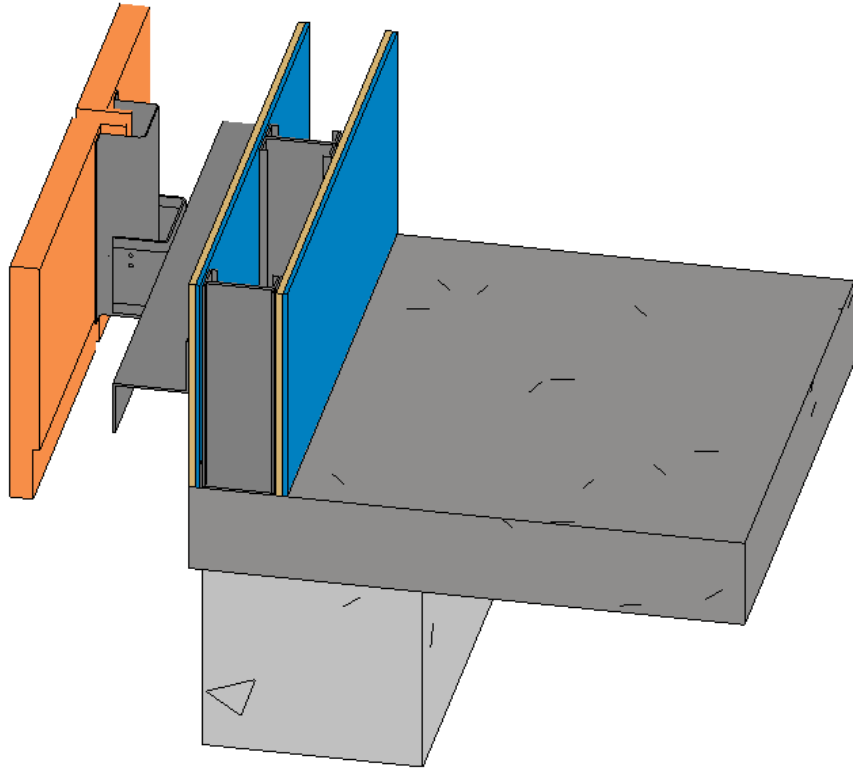
Panel @ Window



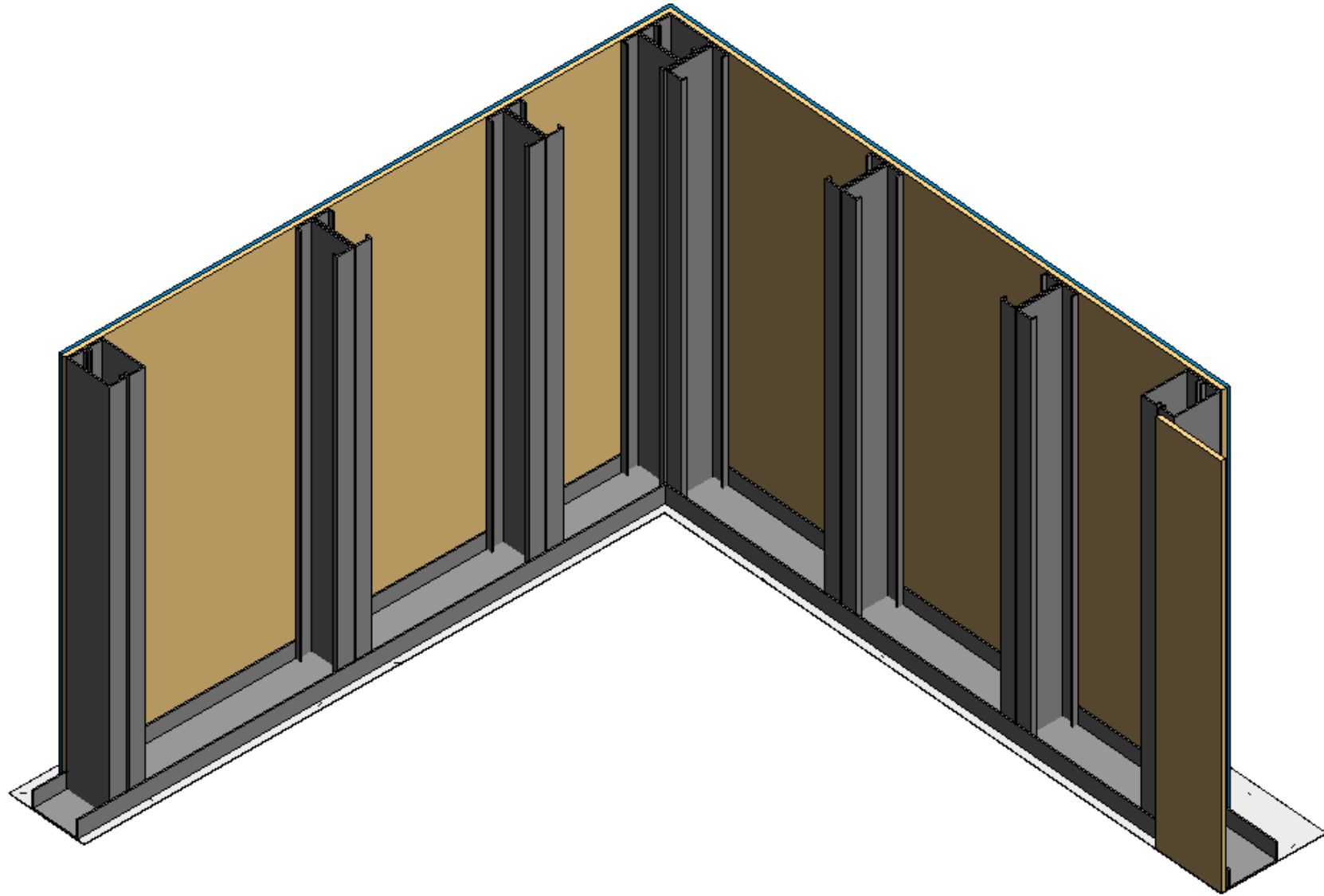
Panel @ Window



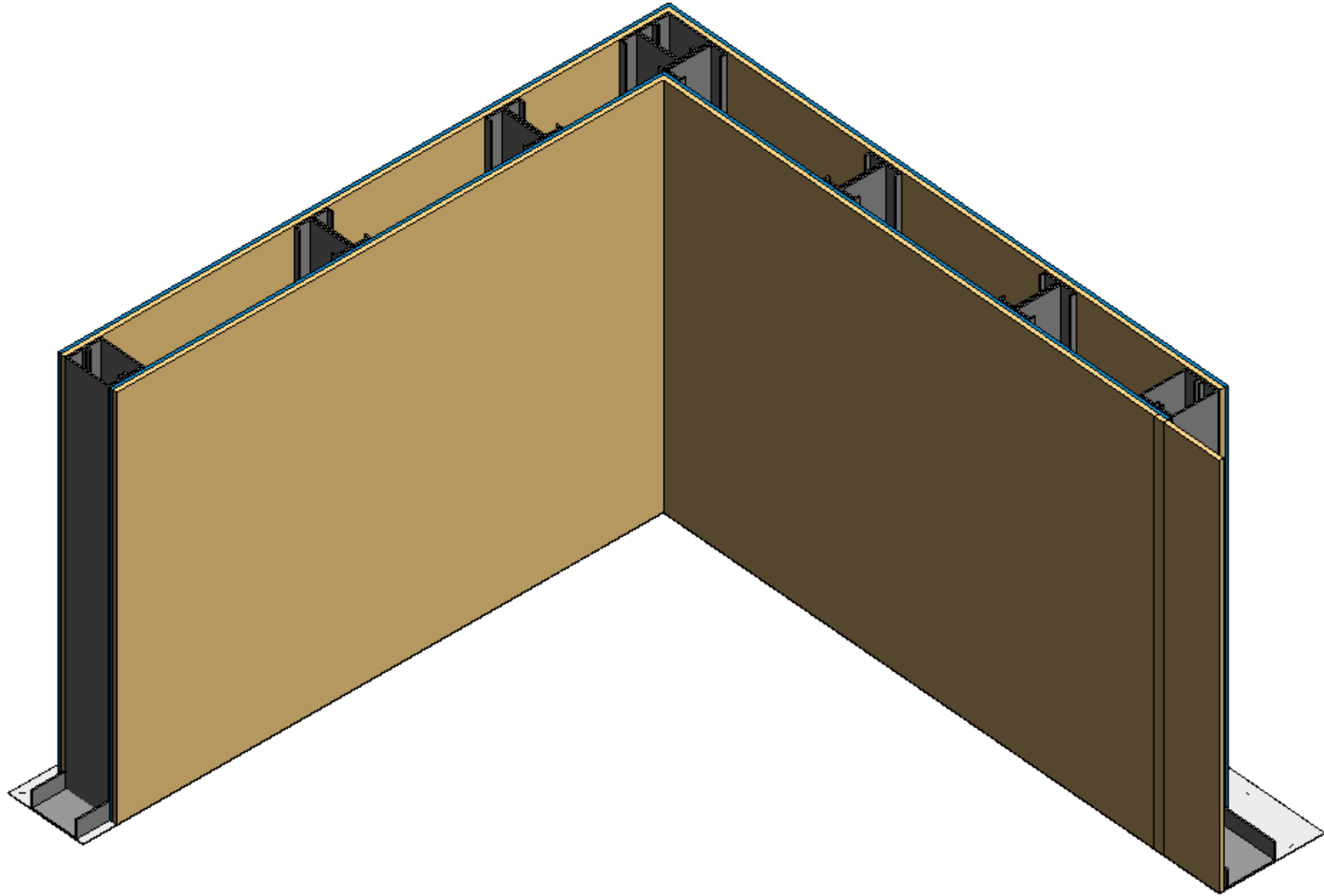
Panel @ Window



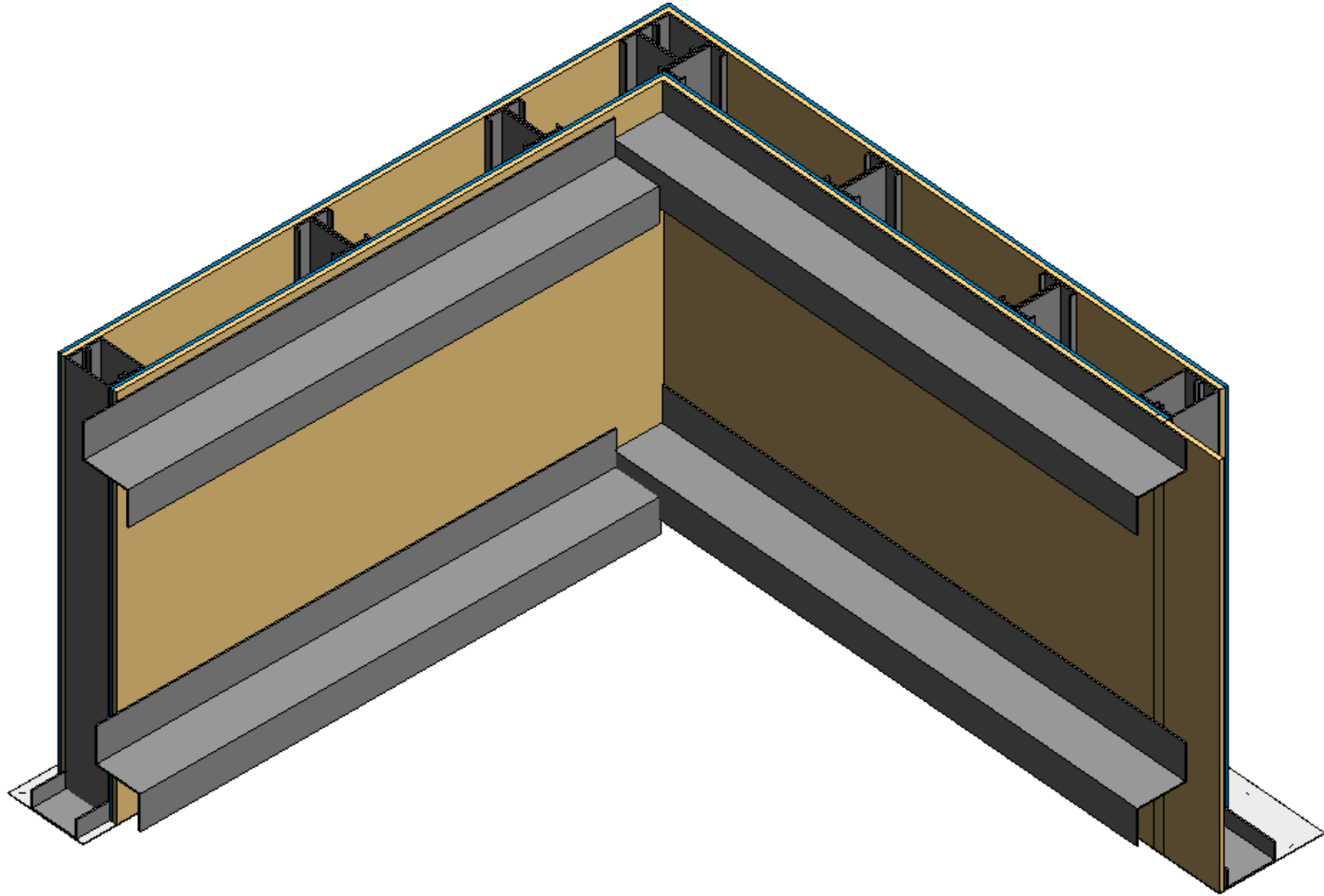
Panel @ Base



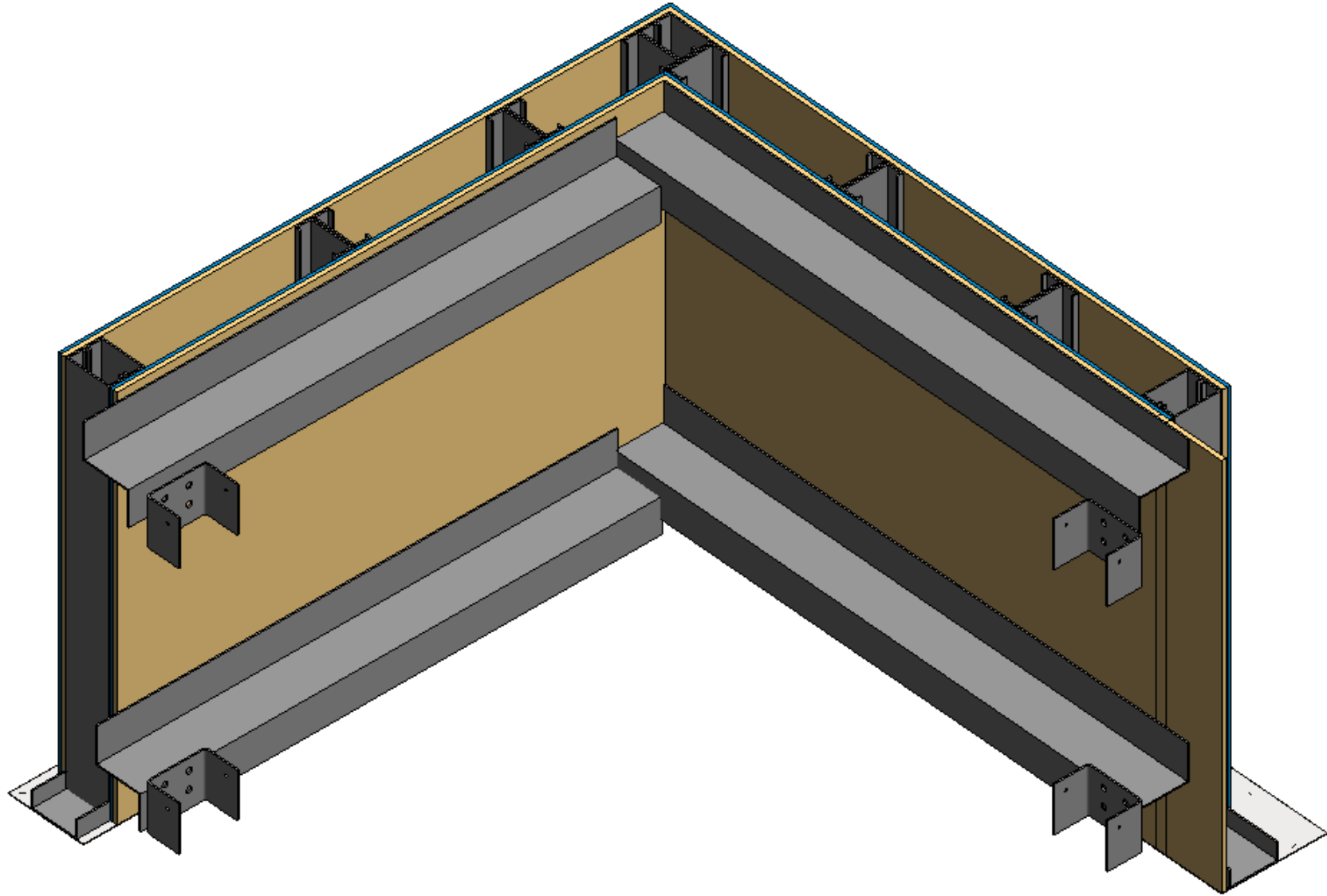
Inside Corner Panel



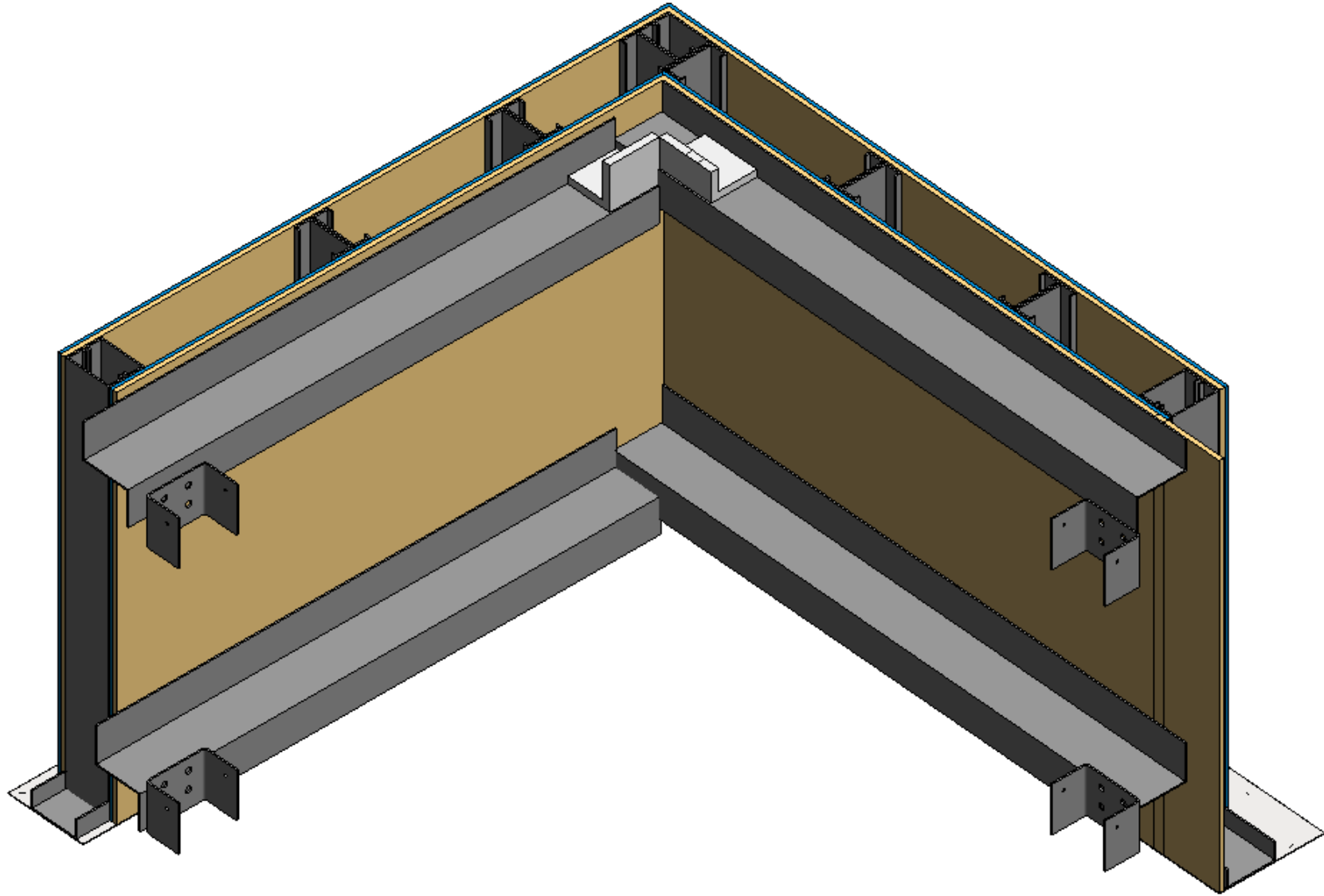
Inside Corner Panel



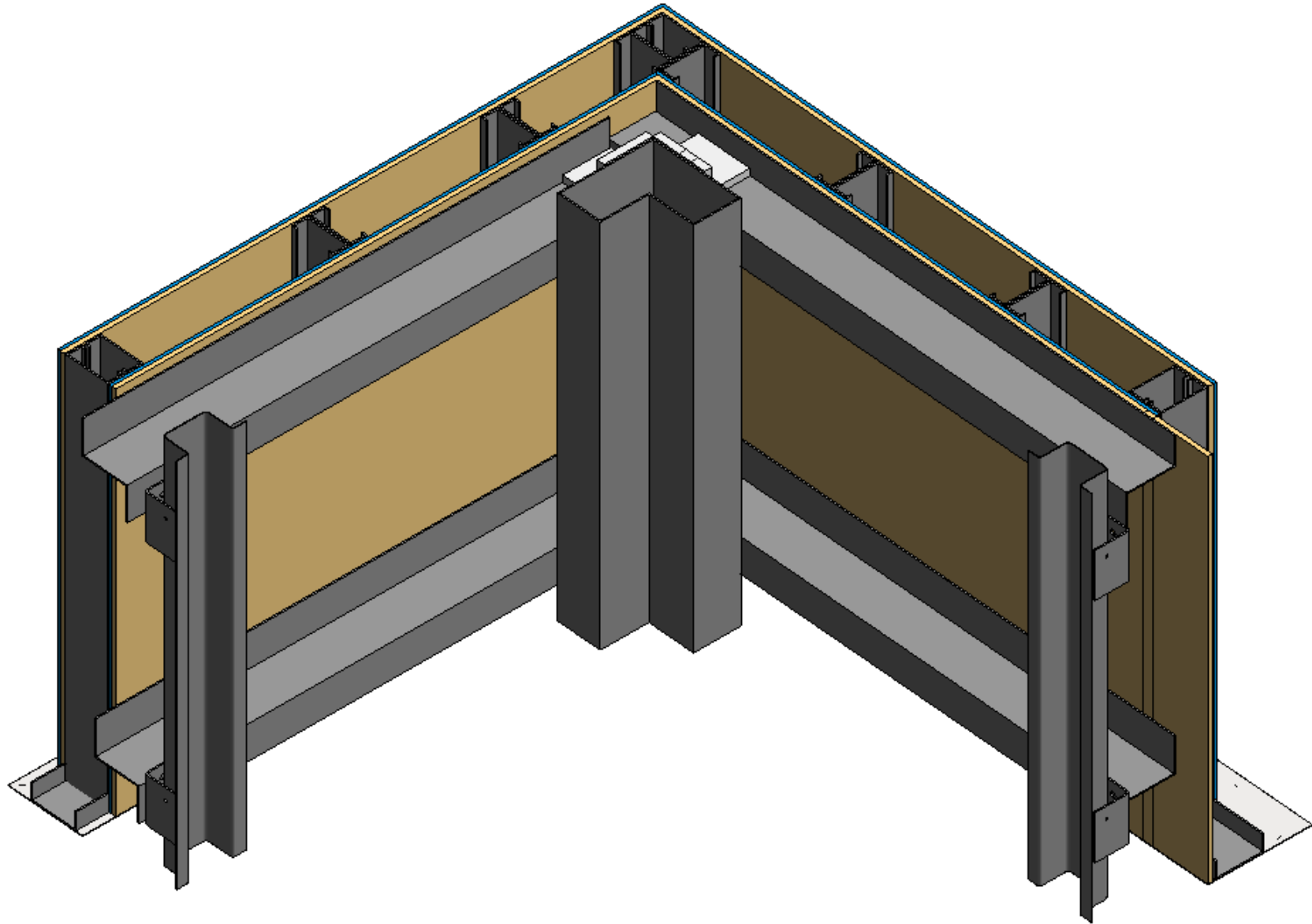
Inside Corner Panel



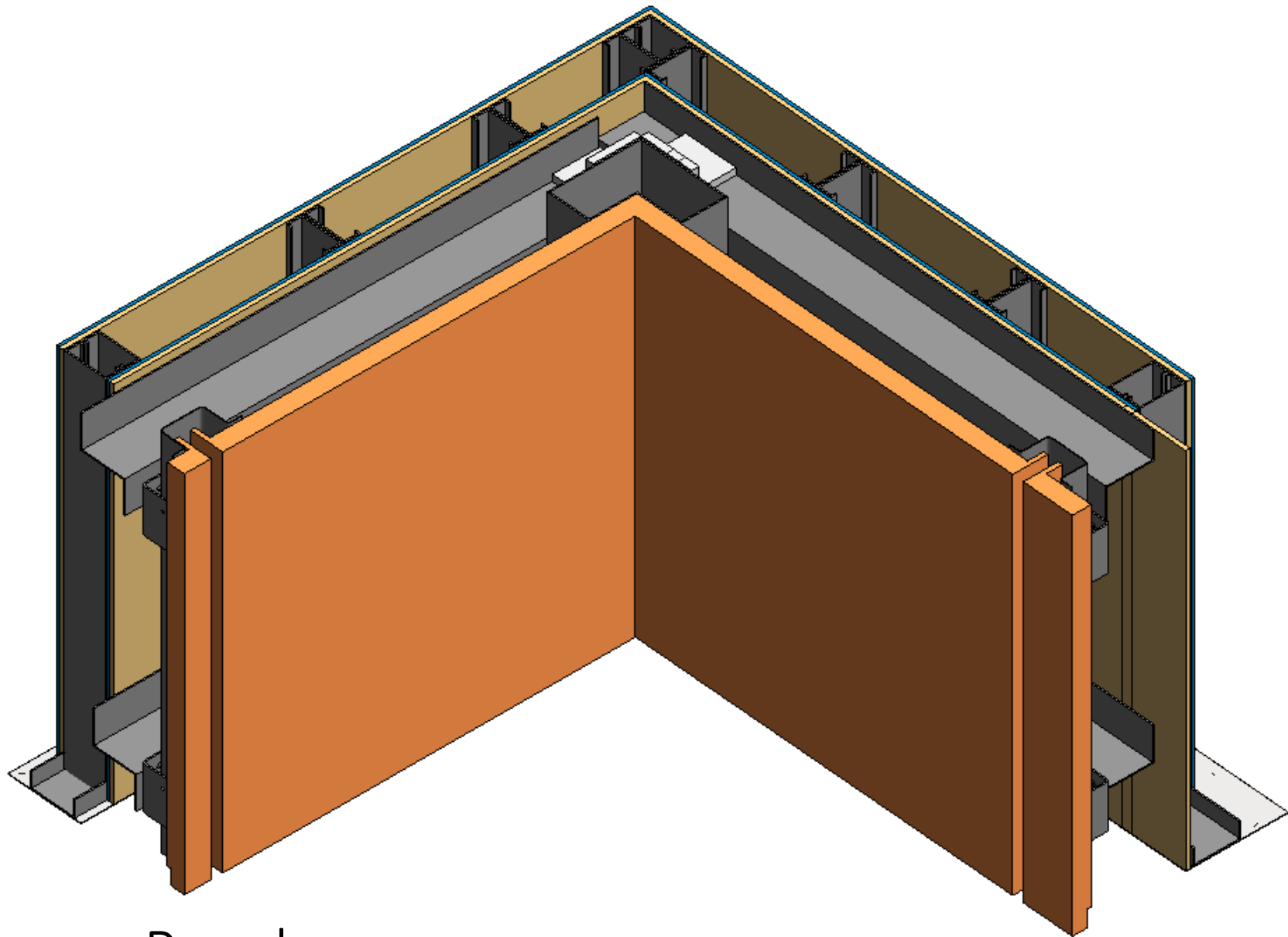
Inside Corner Panel



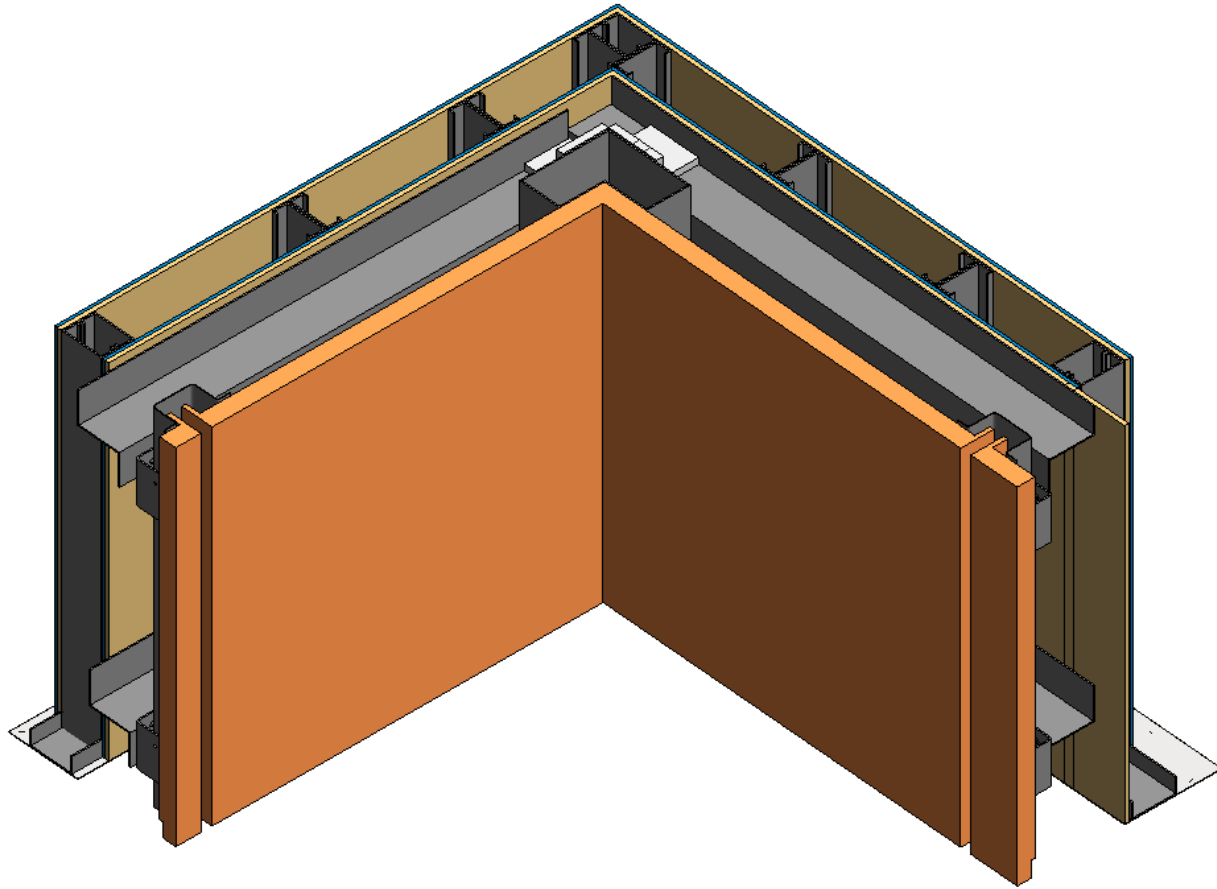
Inside Corner Panel



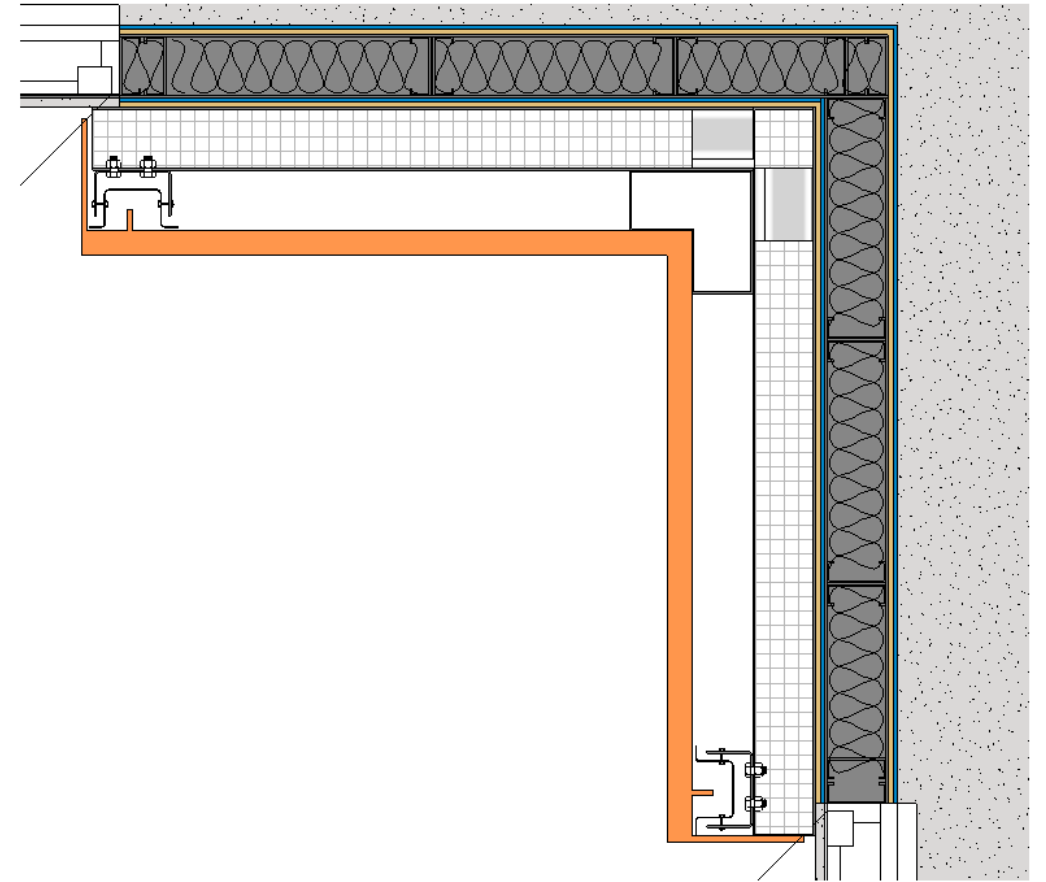
Inside Corner Panel

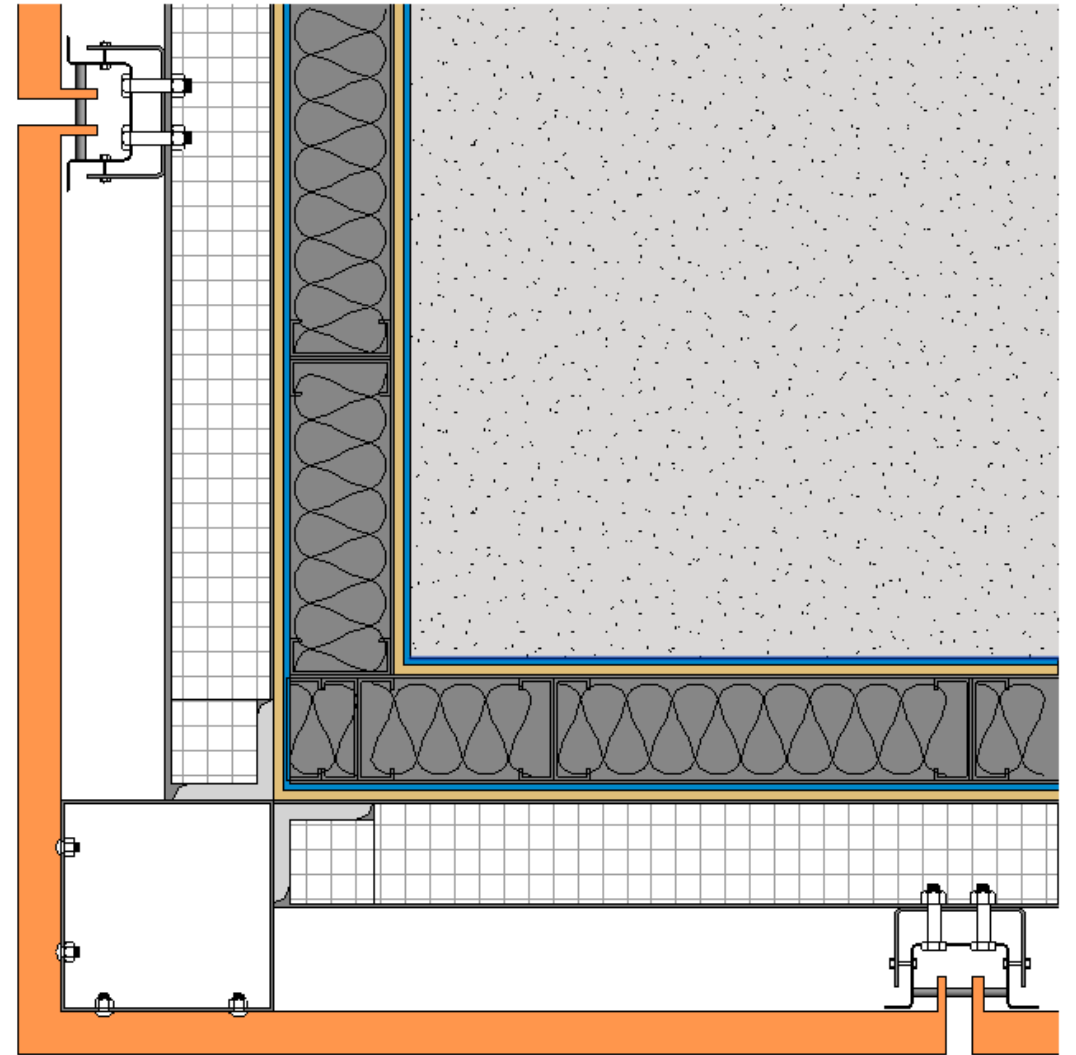
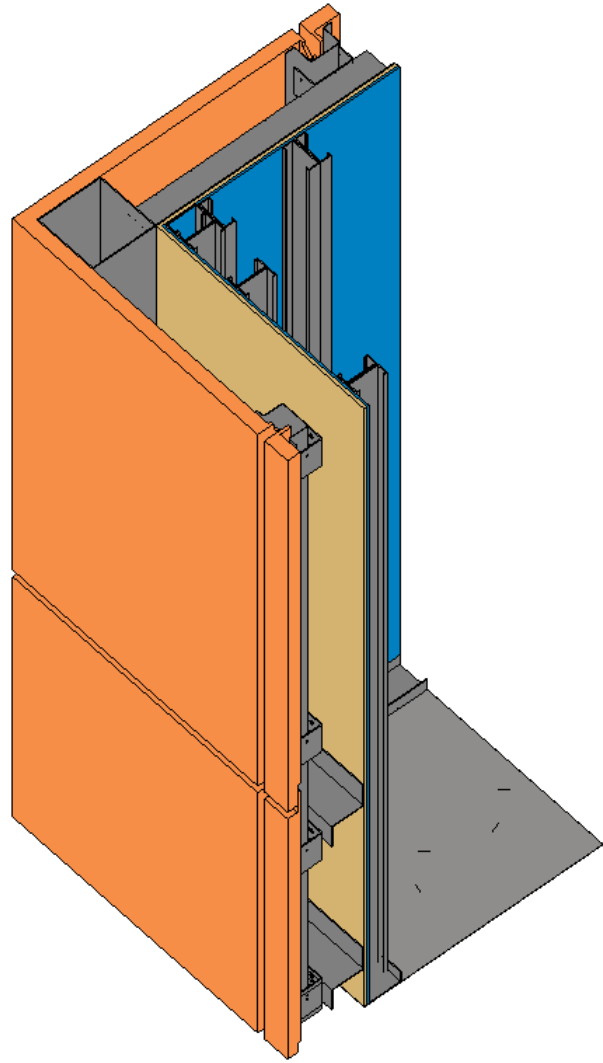


Inside Corner Panel



Inside Corner Panel





Outside Corner
Panel

THANK YOU