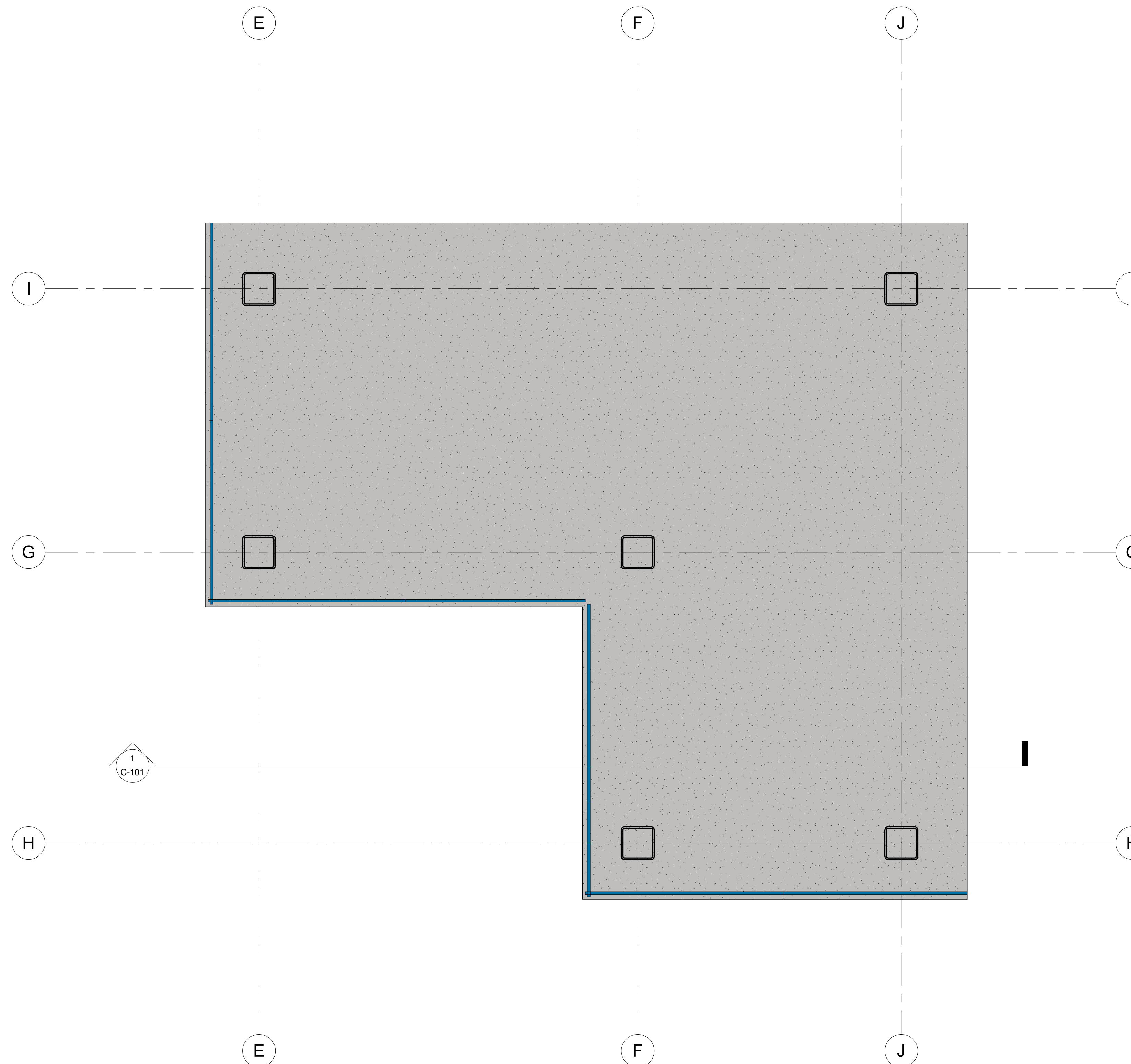
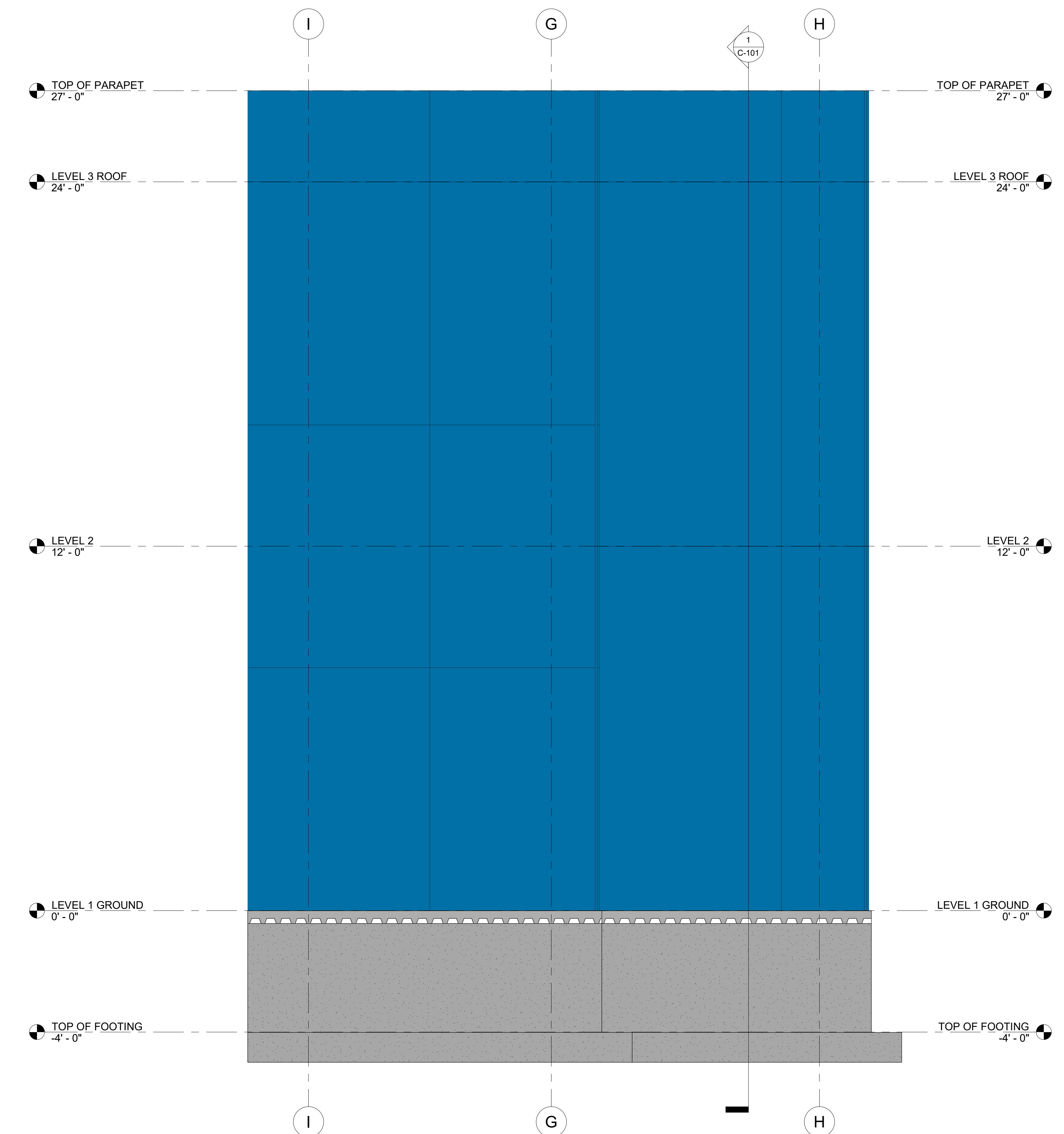


1 CURTAIN WALL AXON



3 LEVEL 1 GROUND - Glass CurtainWall
1/2" = 1'-0"



2 CURTAIN WALL ELEVATION
1/2" = 1'-0"



JEANPAUL MONTANO

Consultant
Address
Phone
Fax
e-mail

PROF. SHERMAN
ARCH.2431 BUILDING
TECHNOLOGY III

SECTION: ADD HERE

No.	Description	Date

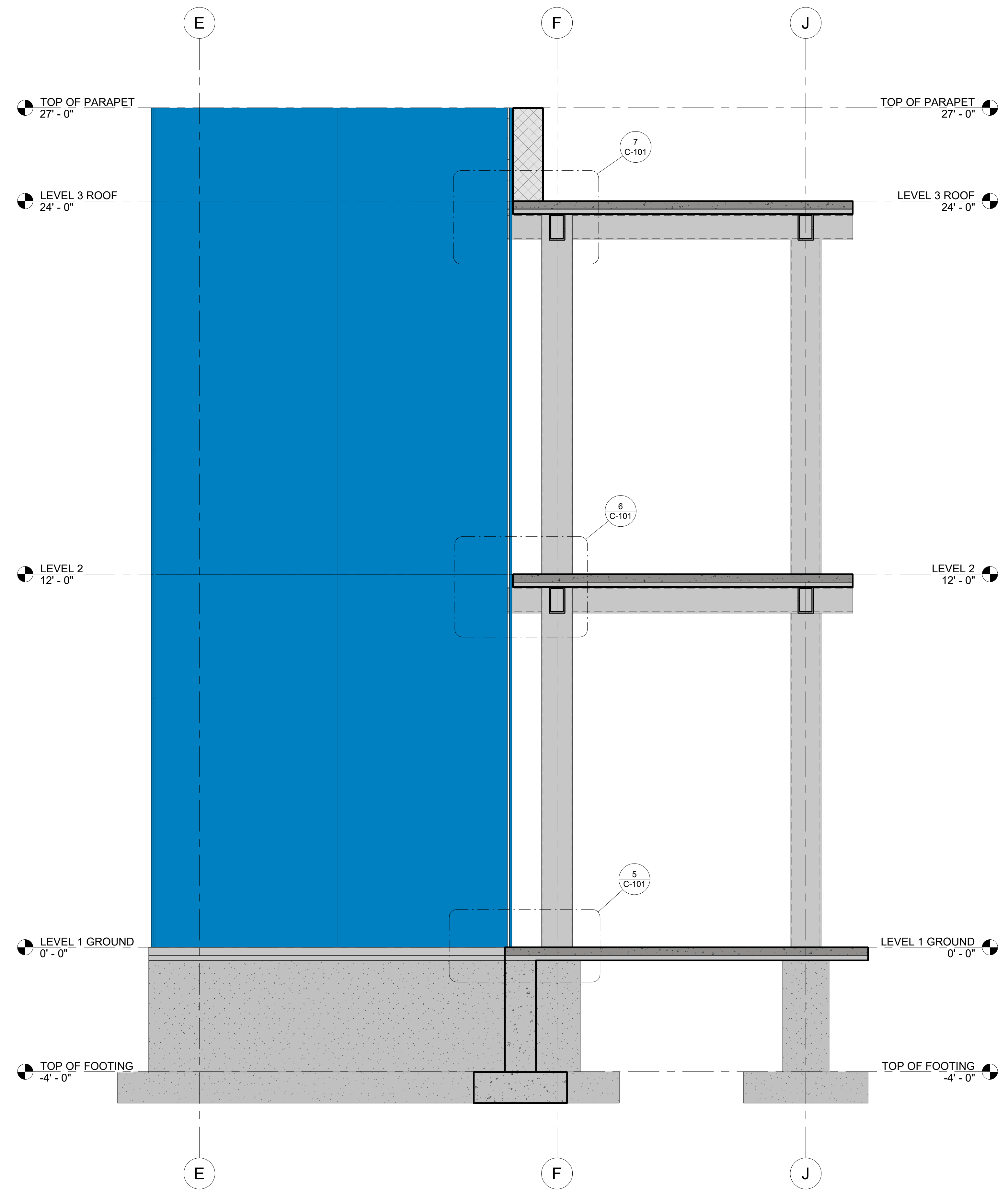
ANTHONY DIAZ
B-TECH ASSIGNMENT
GLASS CURTAIN WALL
STUDY

Project number 2431-22573
Date 04-28-20
Drawn by JPM
Checked by JNS

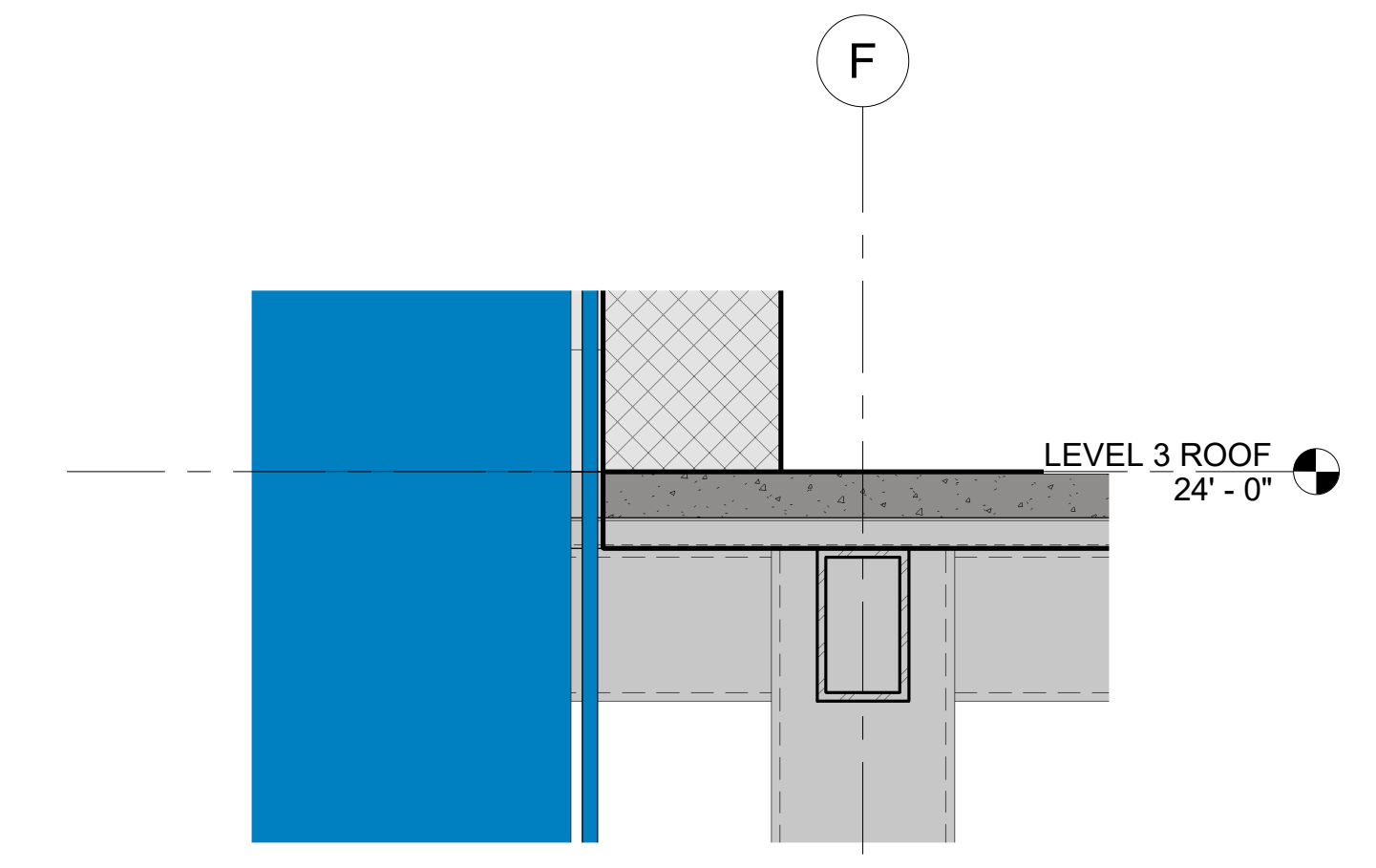
C-100
Scale 1/2" = 1'-0"

4/28/20 10:27:40 PM

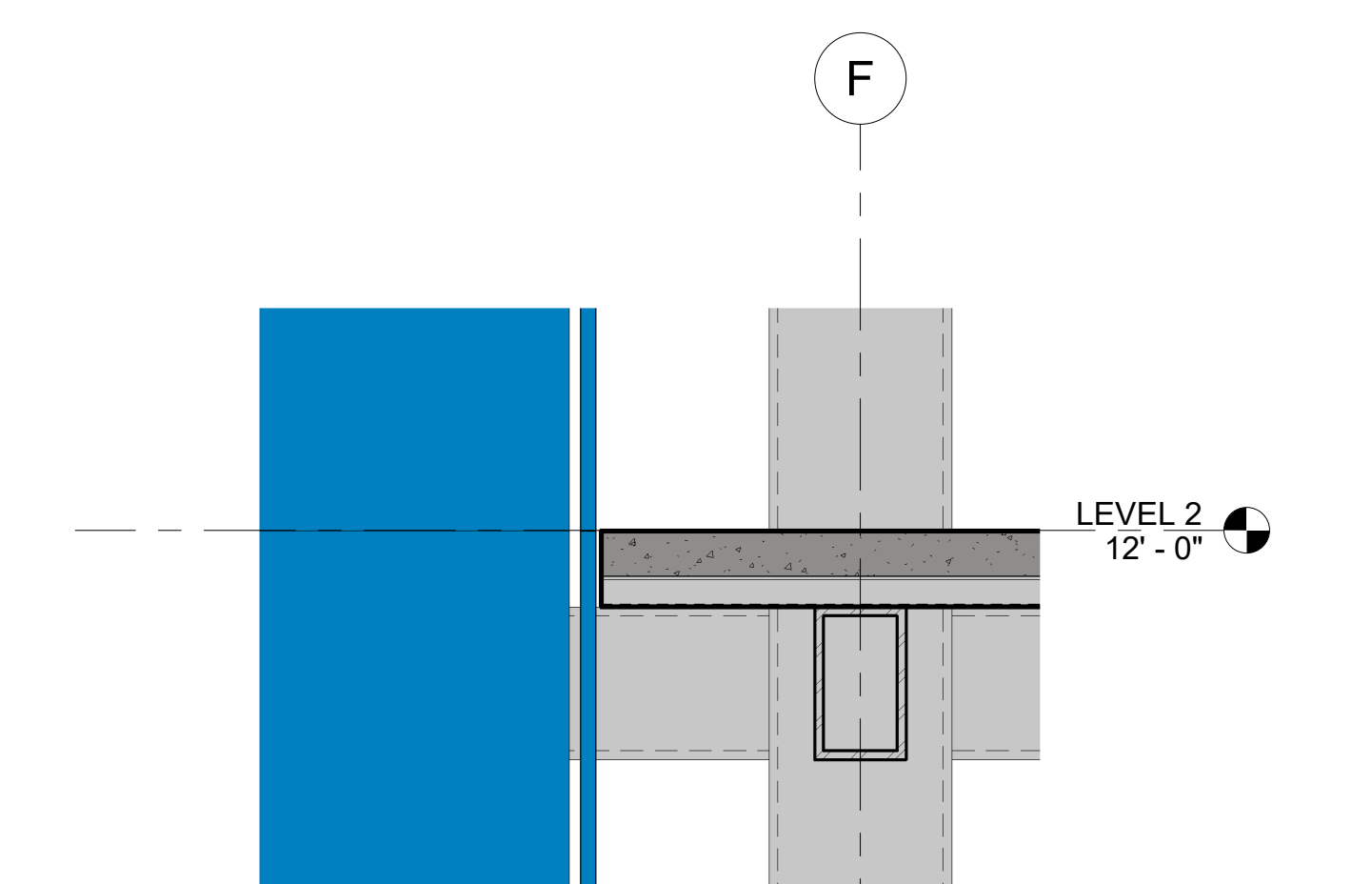
No.	Description	Date



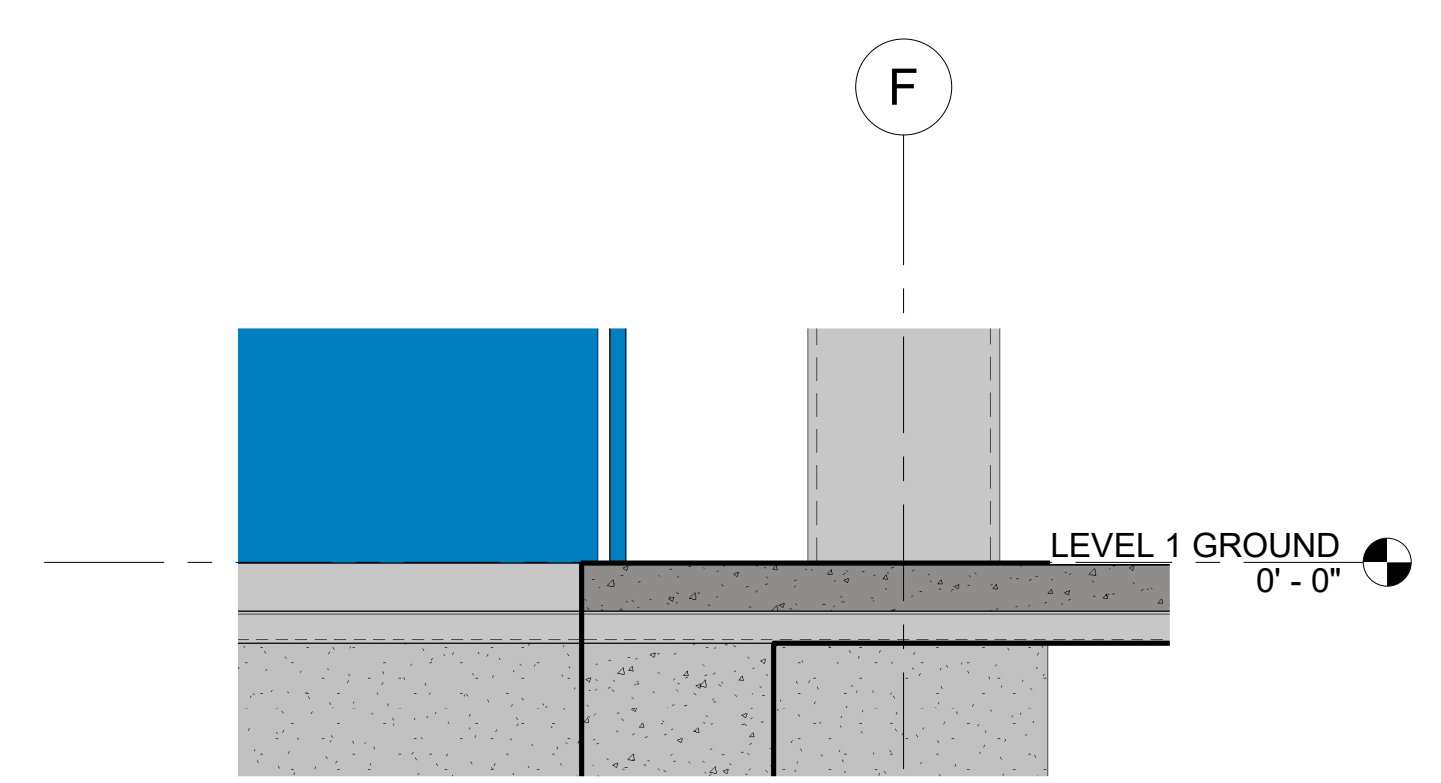
1 Section-Elevation Glass Curtain Wall - Callout 1
1/2" = 1'-0"



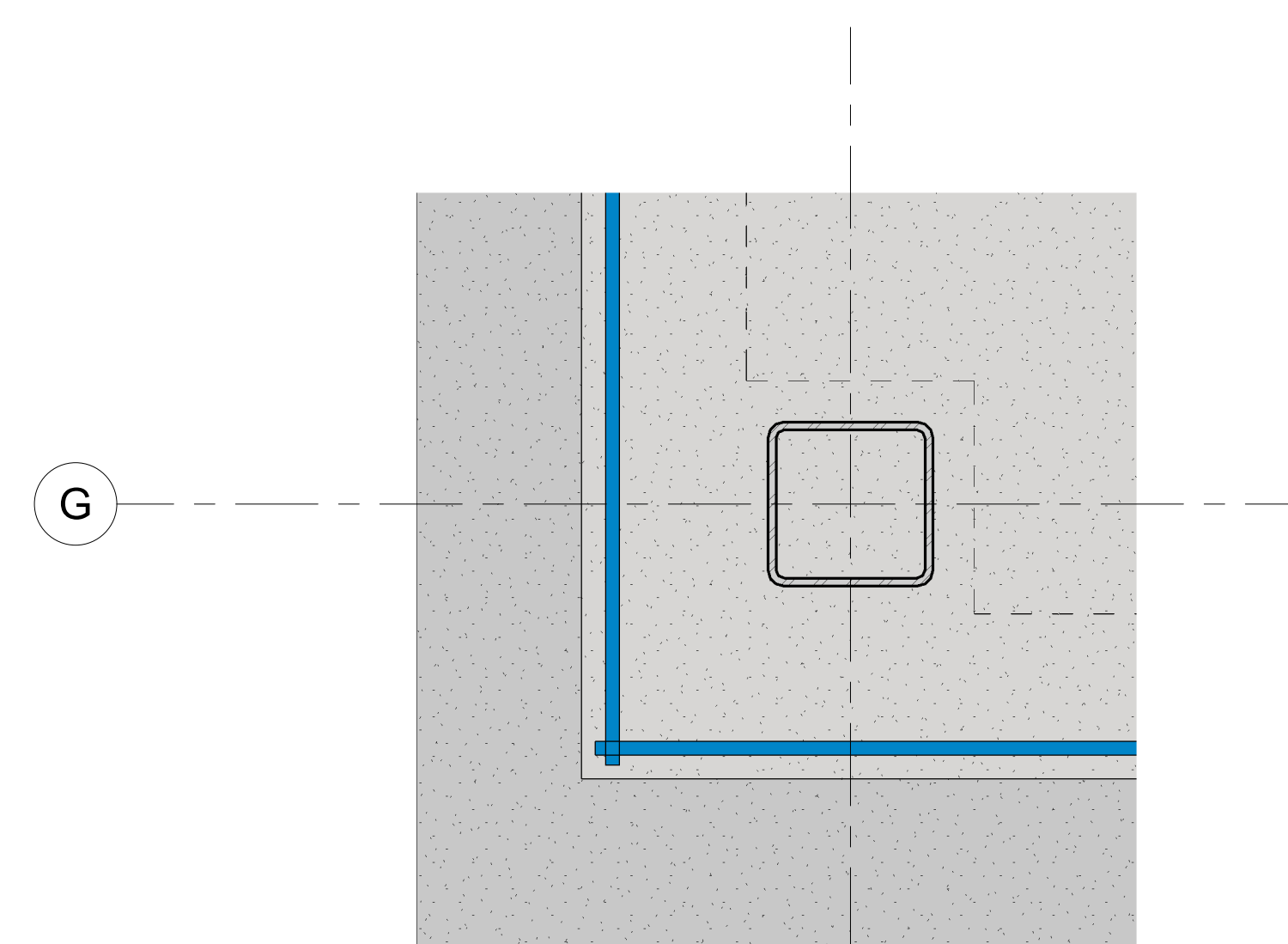
Section-Elevation Glass Curtain Wall - Callout 3
1" = 1'-0"



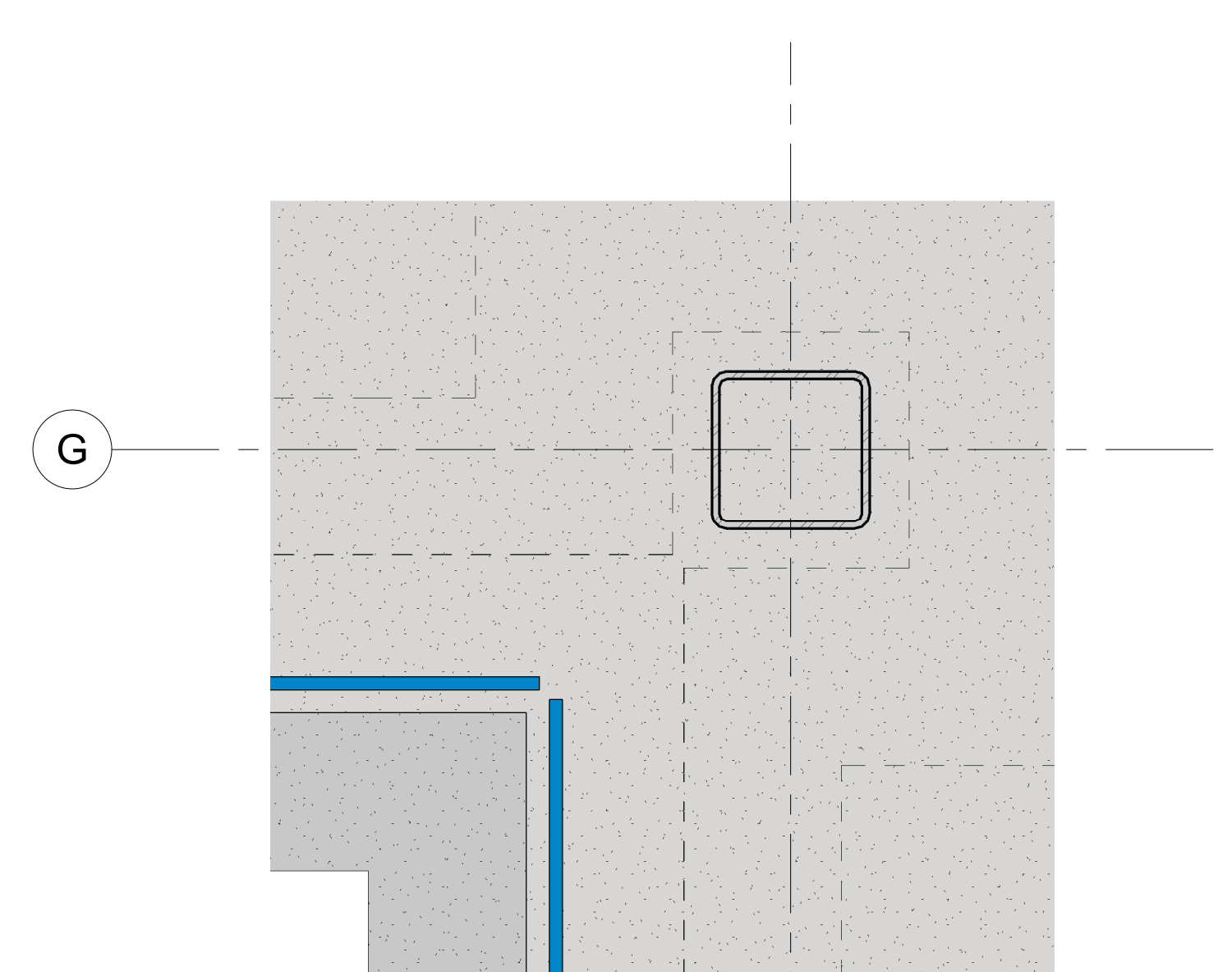
Section-Elevation Glass Curtain Wall - Callout 2
1" = 1'-0"



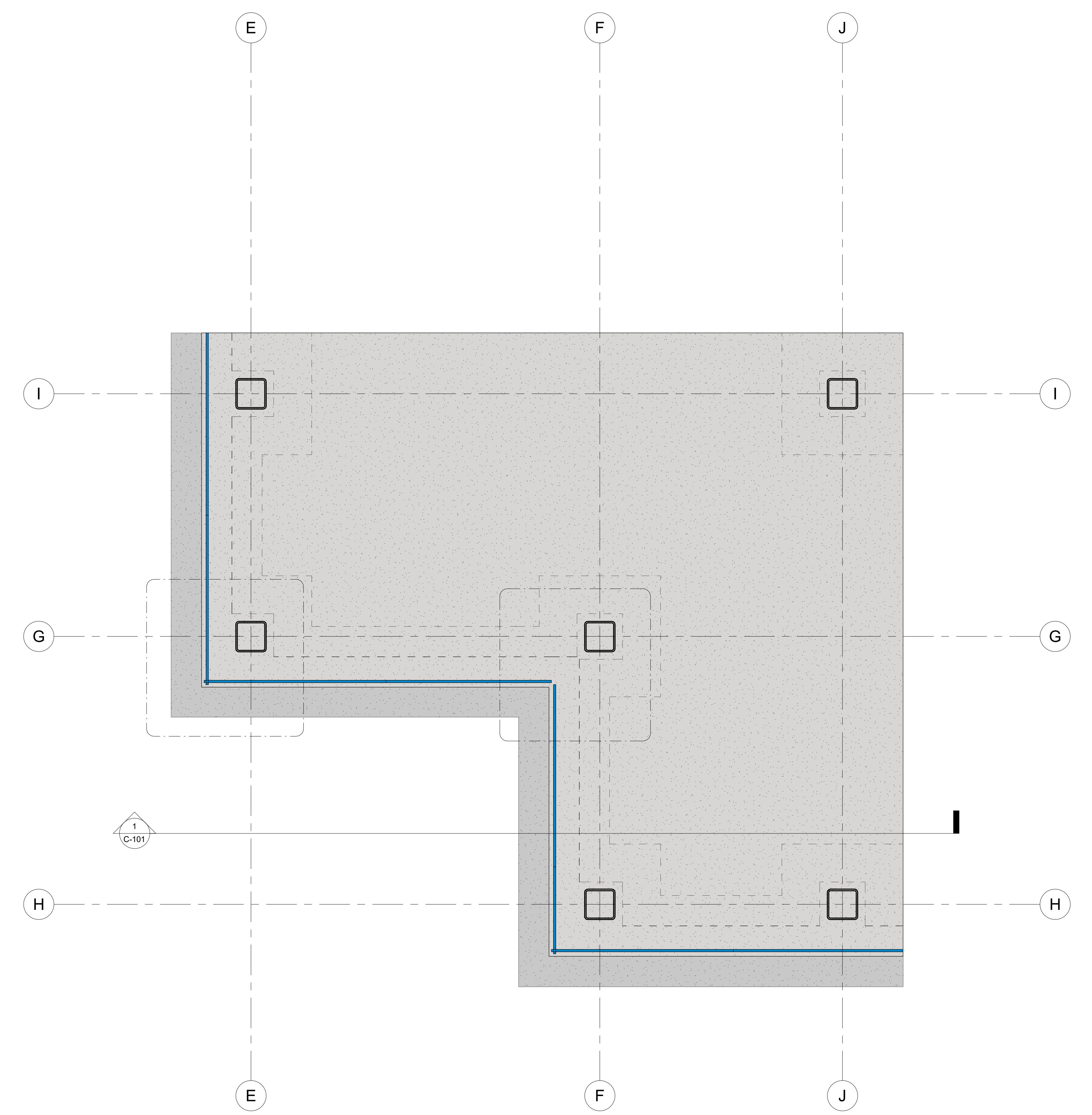
Section-Elevation Glass Curtain Wall - Callout 1
1" = 1'-0"



3 ENLARGED CALLOUT G-E
1" = 1'-0"



4 ENLARGED CALLOUT G-F
1" = 1'-0"



2 LEVEL 1 CURTAIN WALL
1/2" = 1'-0"