
Opaque Facade System/ Curtain wall System

Jovany Cumbe

Case Study Building

VINES ARCHITECTURE

PROJECTS

ON THE BOARDS

STUDIO

PEOPLE

HONORS

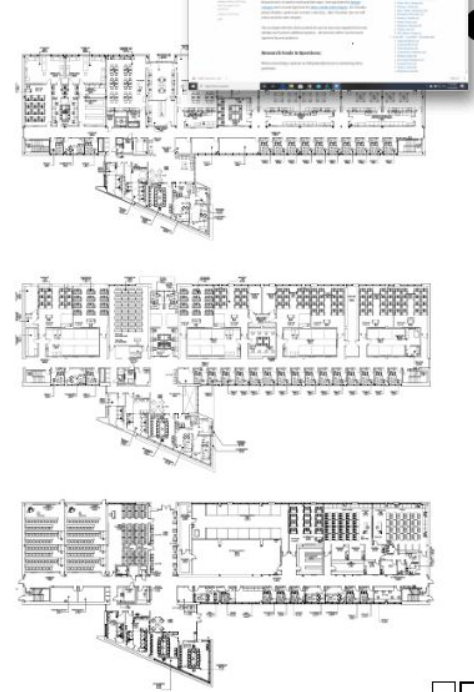
CONTACT

NEWS



STCC HEALTH TECHNOLOGIES CENTER

JAMESTOWN, NC



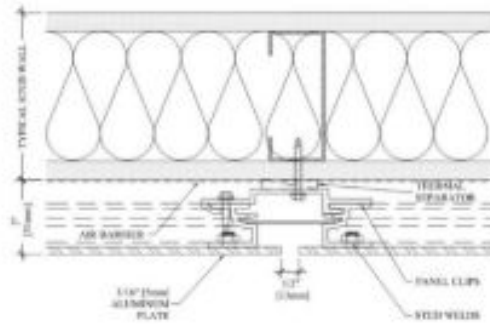
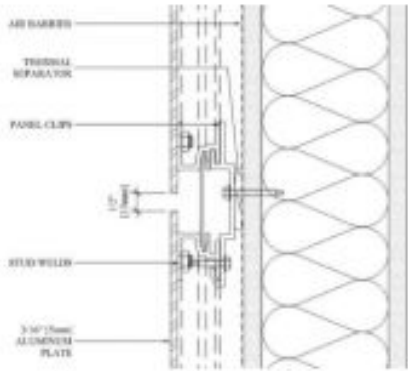
How does it function structurally? or how does it attach to the building? How does it function structurally? or how does it attach to the building?

How does it waterproof the building? To fully waterproof a building we must look at the roof, the facade & windows & the foundation – all sides of the building.

How does it waterproof the building? To fully waterproof a building we must look at the roof, the facade & windows & the foundation – all sides of the building.

Sobotec-Aluminum Plate SL-500P

Heavy Gauge solid plate PER system-The attachment system is custom engineered using welded studs to minimize heat transfer to the face of the panel.



System Characteristics & Testing

Material: 3/16" (~5mm) Aluminum Plate

Joint Type: Dry

Standard Joint Size: 1/2"

Testing: Full Scale Wall Test at ATI, York, PA;
Panel Load Tests at ITS, Toronto.
ON

Wall Design: Pressure Equalized Rainscreen System

Plate panel System

<https://www.sobotec.com/products/aluminum/>

<https://www.youtube.com/watch?v=sW9pM3kG8jQ>

Other Options

Americlad- <https://www.americlad.com/plate-panel-system>

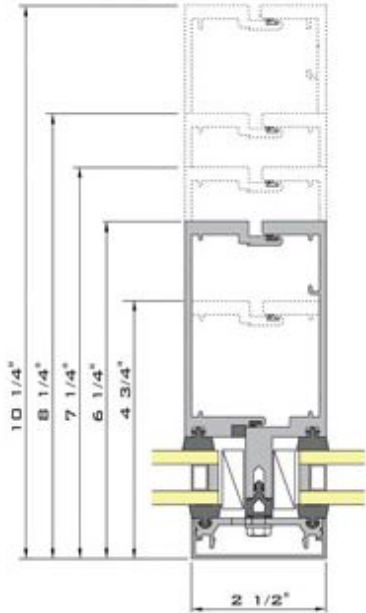
Protean- <https://protean.com/products/aluminum-plate-panel-systems/>

Zahner Facade Materials

<https://www.youtube.com/watch?v=tGqr0qCUnrM>

<https://www.azahner.com/materials/colored-stainless>

Wausau (SuperWall)



FEATURES:

- Wausau's flagship curtainwall product line
- 4 3/4", 6 1/4", 7 1/4", 8 1/4" or 10 1/4" frame depths
- Several frame depths including cladding for steel tubes
- 2 1/2" or 3" exterior sight line - Many accent covers available
- 3/8" thermal separation
- Proven pressure-plate system designed for field glazing
- Captured or two-side structural glazed
- Splayed mullions available for segmented radii

[VIEW ALL FEATURES](#)

[WATCH OUR CURTAINWALL BLAST TEST VIDEO \(INTERIOR\)](#)

[WATCH OUR CURTAINWALL BLAST TEST VIDEO \(EXTERIOR\)](#)

Options

High performance thermal curtain wall

Tubelite-<https://www.arcacat.com/arcacatcos/cos36/arc36153.html?qstr=084413&pids=174242>

<http://www.wausauwindow.com/index.cfm?pid=44&pageTitle=Product%20Detail&prID=25>

<https://www.youtube.com/watch?v=TYM9qKJRun4>

<http://www.wausauwindow.com/index.cfm?pid=27&project=25>

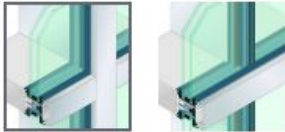
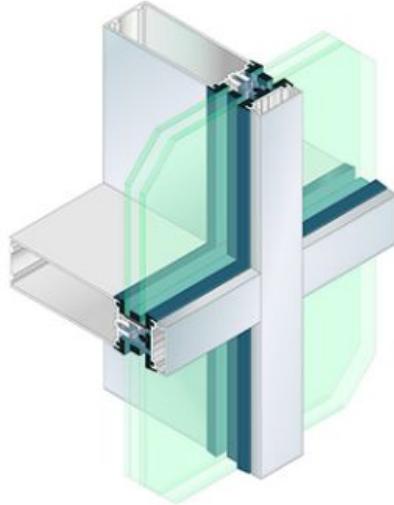
Kawneer

[+ ADD TO MY PRODUCT LIST](#)

[← SHARE](#)

1620UT/1620UT SSG Curtain Wall System

- 2" (50.8mm) sightline
- 6" (152.4mm) or 7-1/2" (190.5mm) depth
- Ultra thermal performance
- Low to mid rise application
- Structural silicone glazed (SSG) options



Product Features

https://www.kawneer.com/kawneer/north_america/en/product.asp?cat_id=1463&prod_id=4701&desc=thermal-ssg-curtain-wall-system

<https://www.youtube.com/watch?v=rq17EMz2xT0>
