

ARCH 2431. Building Technology III

Building Information Modeling with Revit

Steel Connections *#3 Bolts, Fasteners & Videos*

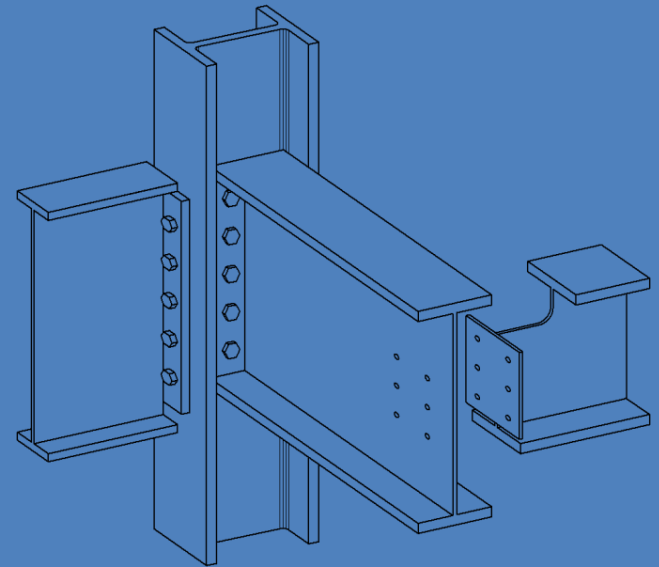


Professor Paul C. King, RA, AIA, ARA

Prof.Paul.King@Gmail.com

Pking@CityTech.Cuny.Edu

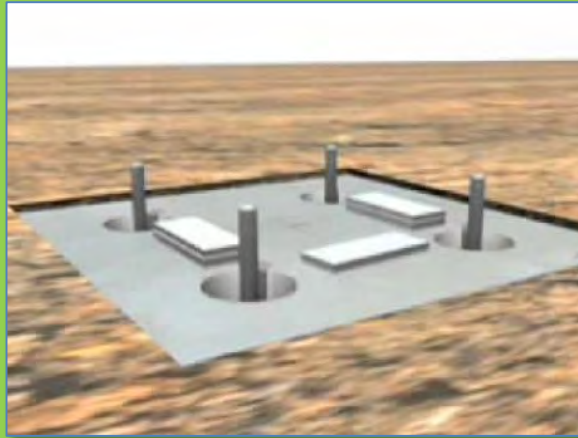
Steel Connections Bolts and Fasteners



Steel Column and Beam Connection Videos

Connection Details

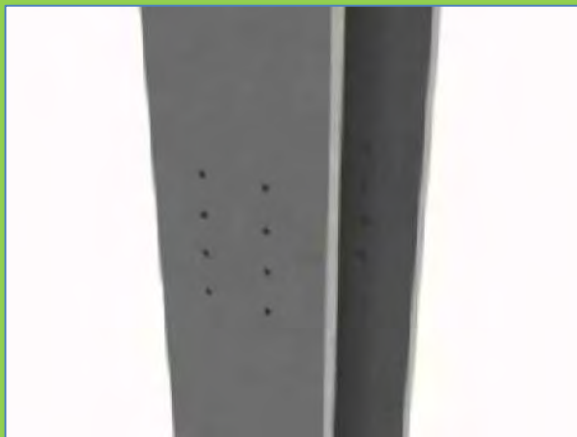
- Connections
- Videos
- Detail Drawings
- Photos
- Bolts & Screws



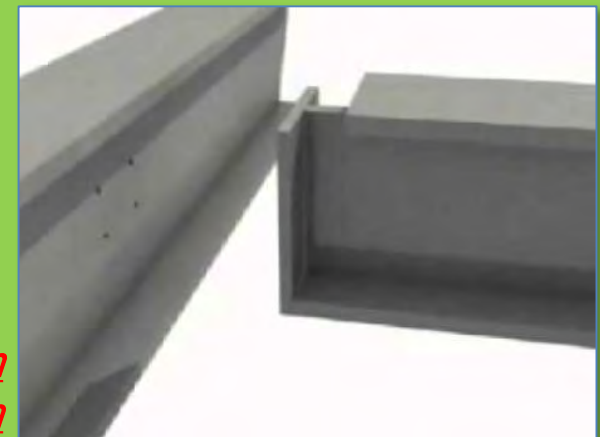
*Column Base
Plate to
Foundation*



*Beam to Column
Fin Plate
Connection*



*Beam to Column
Connection*

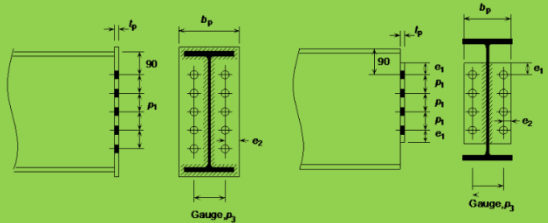


*Beam to Beam
Connection*

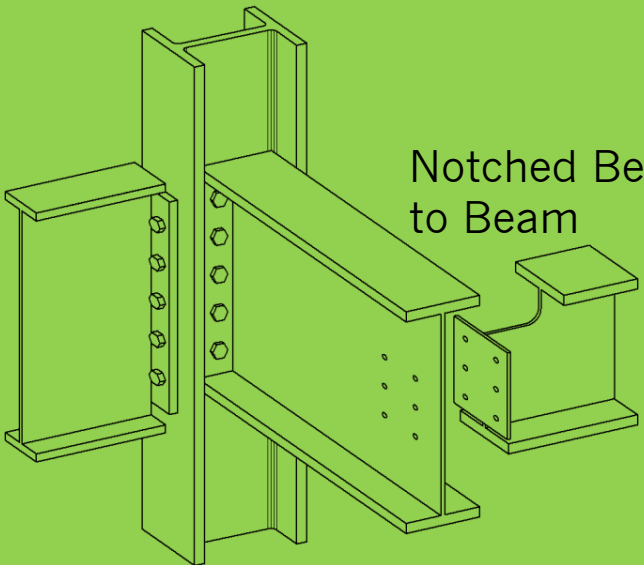
https://www.steelconstruction.info/Simple_connections#Joint_considerations

Steel Connection Drawings and Isometrics

- Connection Details
- Connections
- Videos
- Detail Drawings
- Photos
- Bolts & Screws



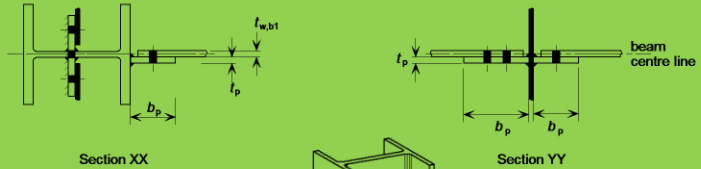
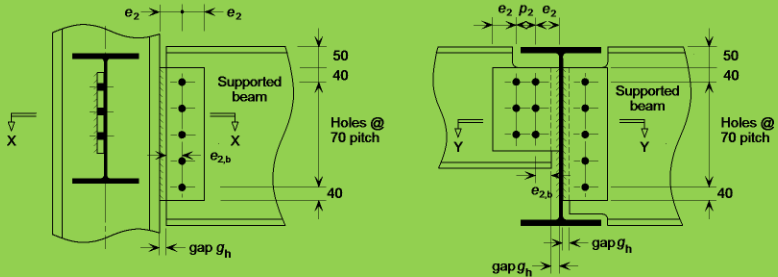
Beam with End Plate



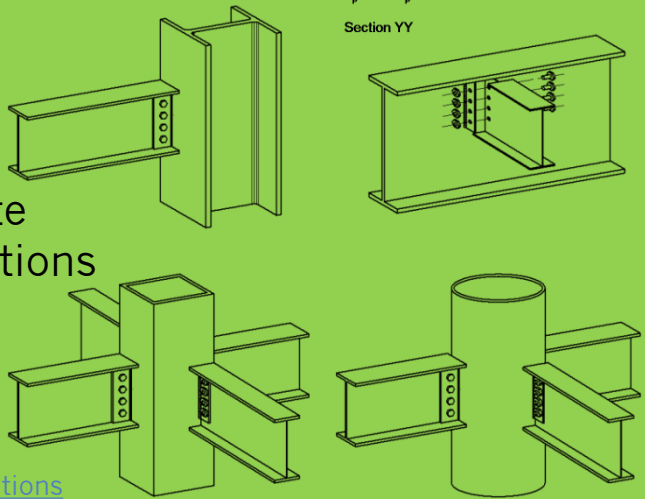
Notched Beam to Beam

Beam to Column

Fin Plate Connections

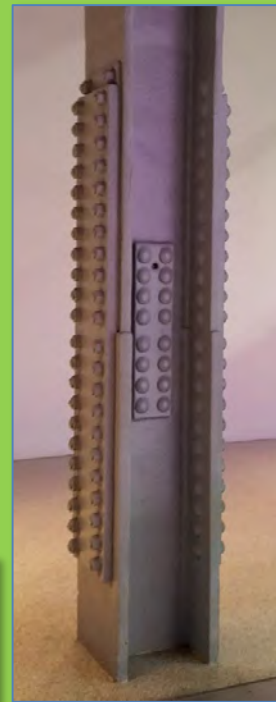


Fin Plate Connections



Connection Photographs

Photos by Paul King – NYC Seaport



Photos by Paul King – Corning Glass



<https://amtecdesigns.com/struct/>



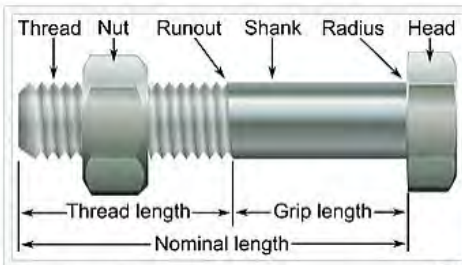
<https://civil-engg-world.blogspot.com/2011/05/base-plate-for-steel-column.html>



<https://skyciv.com/technical/bolts-vs-welds-vs-rivets-for-steel-connections/>



Nut and bolt



Parts and measurements.

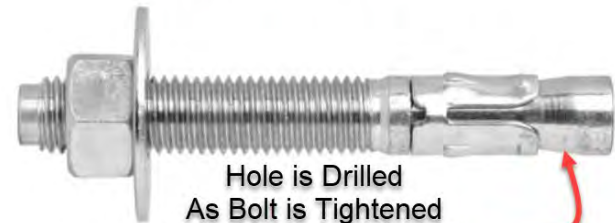
Bolts & Screws

[https://en.wikipedia.org/wiki/Bolt_\(fastener\)](https://en.wikipedia.org/wiki/Bolt_(fastener))

Metal Fasteners by Am-Tec Designs

FASTENERS

Masonry to Concrete Anchor



Hole is Drilled
As Bolt is Tightened
End will Expand to Hold

<https://amtecdesigns.com/struct/>

Metal Fasteners by Am-Tec Designs

FASTENERS

Threaded Inserts
Embedded into
Concrete



Metal Fasteners by Am-Tec Designs

FASTENERS

Flathead - Countersunk Phillips - Allen Bolt
Coated



<https://www.globalindustrial.com/p/fasteners/Self-Tapping-Screws/hex-head/self-tapping-screw-8-x-1-12-hex-head-pkg-of-280-itw-teks174-21308>

Self Taping Screw



A plain washer and a spring washer are placed on a bolt between the nut (on the threaded end) and the bolt head.



Assorted washers: flat, split, star and insulating



[https://en.wikipedia.org/wiki/Washer_\(hardware\)](https://en.wikipedia.org/wiki/Washer_(hardware))

ARCH 2431. Building Technology III
Building Information Modeling with Revit

Steel Connections
#3 Bolts, Fasteners & Videos



Professor Paul C. King, RA, AIA, ARA

Prof.Paul.King@Gmail.com

Pking@CityTech.Cuny.Edu