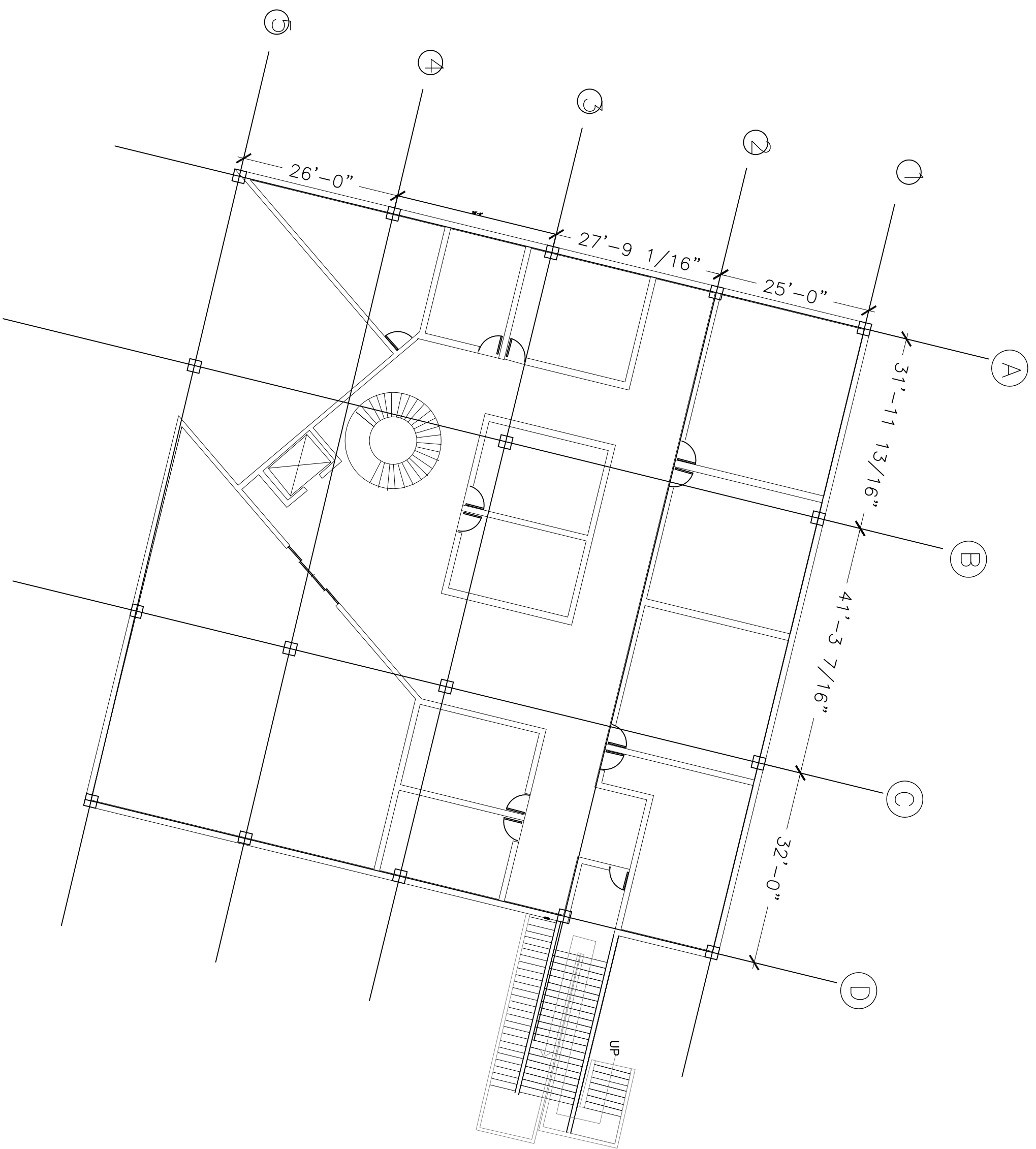


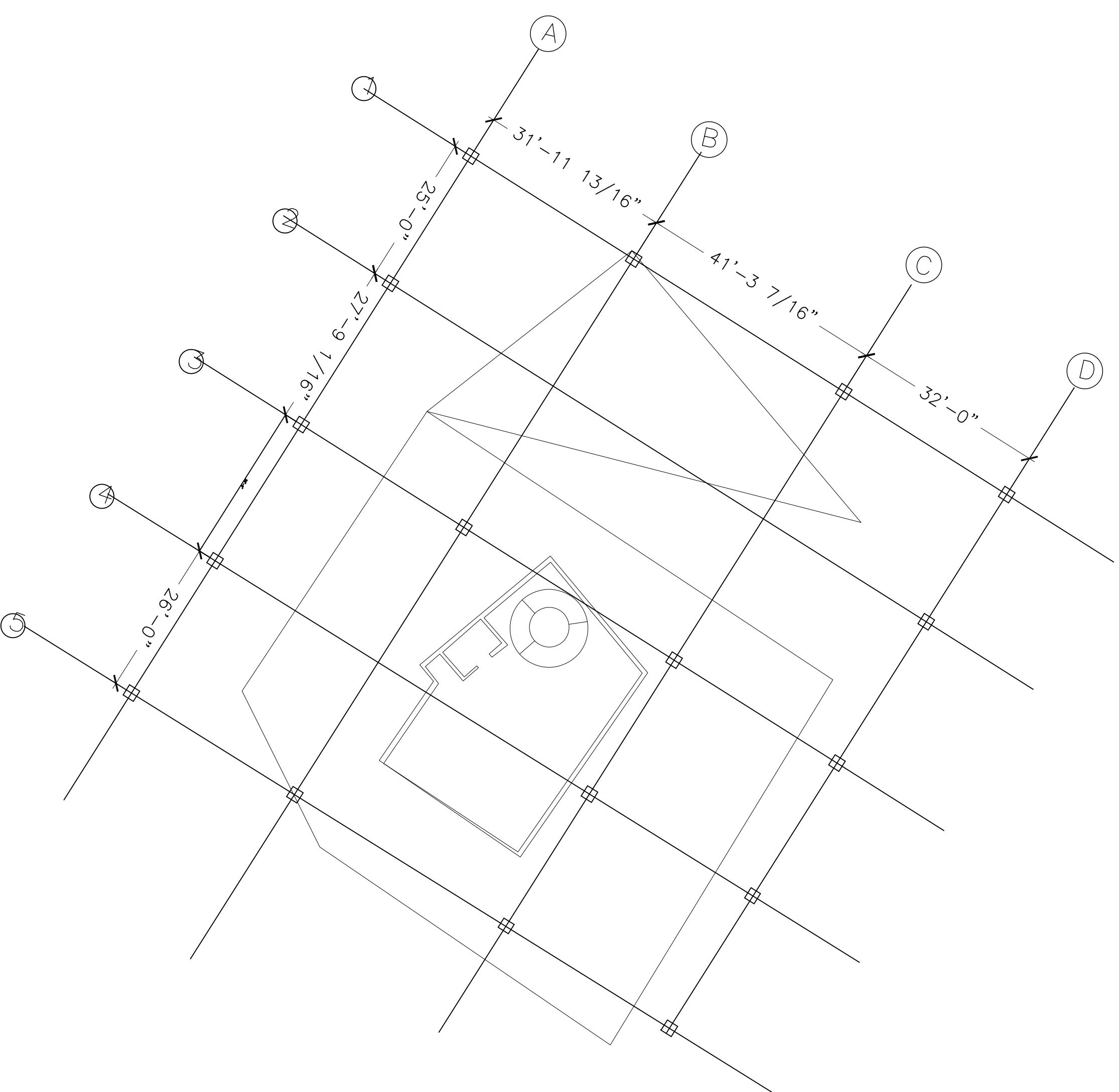
Structural Grid Plan

Address

Cathedral Pl, Brooklyn, NY, 11201



03 SECOND FLOOR STRUCTURAL GRID PLAN
A-100 1/16" = 1'-0"



04 THIRD FLOOR STRUCTURAL GRID PLAN
A-100 1/16" = 1'-0"

Date 03/03/2016
Drawn by Richa, Amy, Ali, Jose
Professor Name King

Scale 1" = 1'-0"