

TERRA COTTA RAIN SCREEN

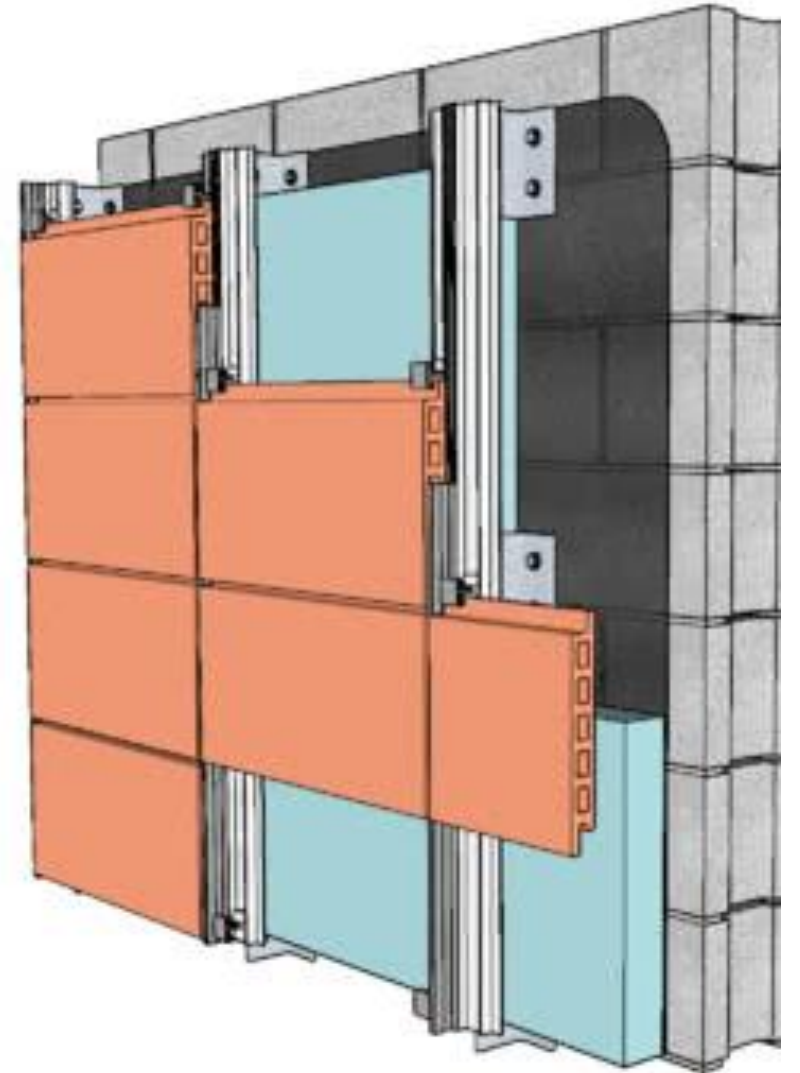
ALBERTO CRUZ

ARCH 2431

PROF. KING

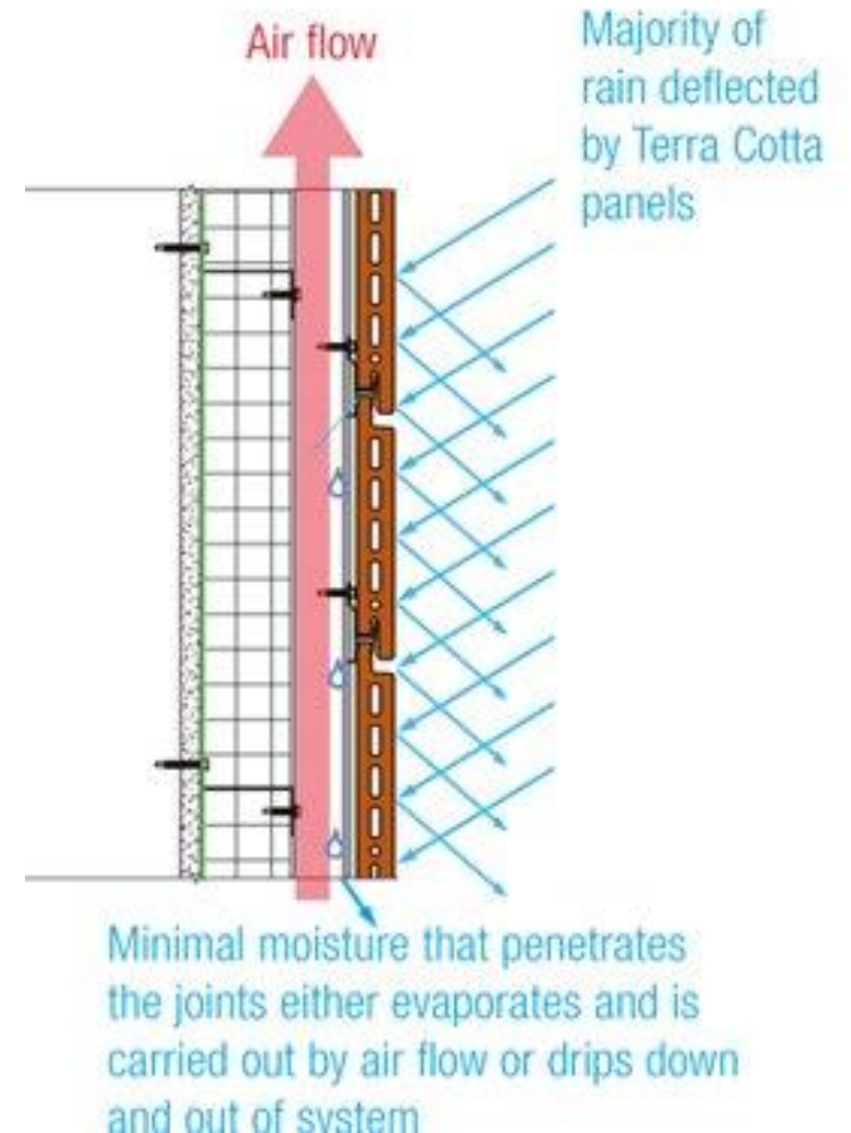
HOW ARE TERRA COTTA PANELS MADE?

- A terra cotta tile is made of clay that consist of water, aluminum, silica, carbonaceous material, magnesium, and other elements. Before the clay is ready it's screened for imperfections, shaped under pressure, extracted of all moisture, and then heated to high temperatures.

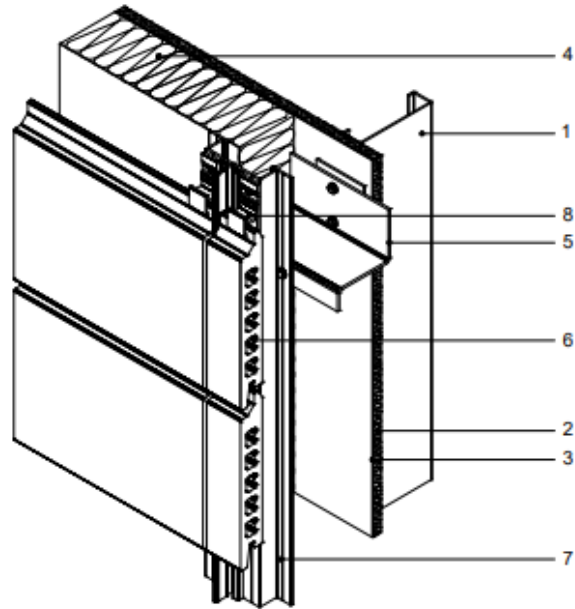


BENEFITS OF TERRA COTTA RAINSCREEN PANELS

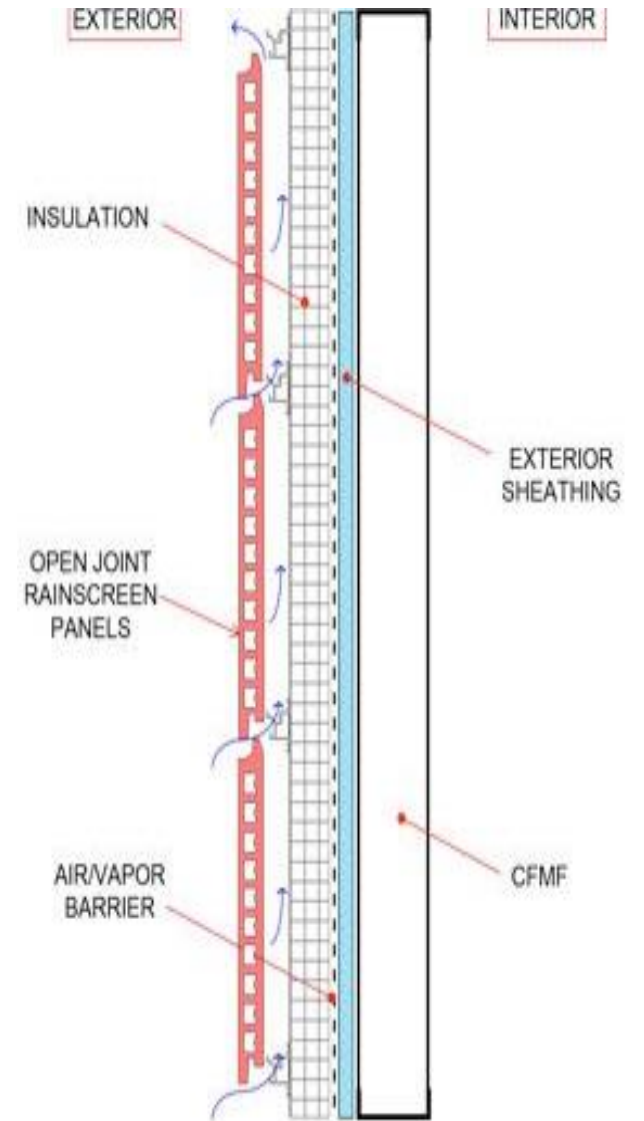
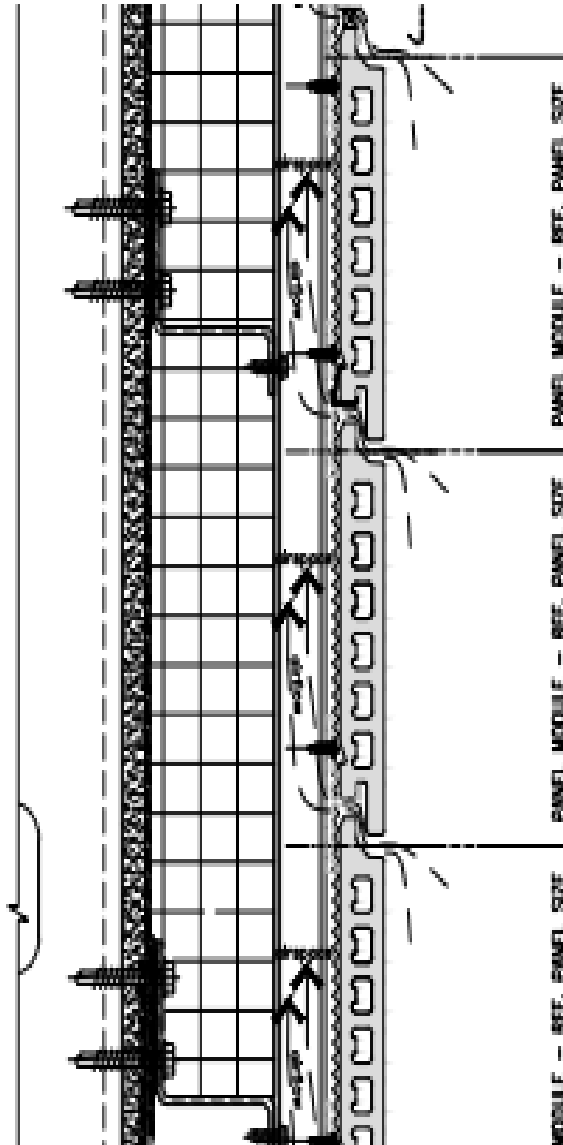
- The terracotta rainscreen system allows for air to move around behind the panels to provide pressure equalization. This prevents water from entering the building. Additionally, a vapor barrier on the outside face of the back-up wall acts as a final air and water barrier.
- Terracotta panels do not suffer from calcium leakage or efflorescence effect, and can be cleaned with just water, which requires little to no maintenance
- Because of natural air circulation condensation isn't trapped inside the wall, therefore preventing the forming mildew and mold on the façade.



ASSEMBLY INFORMATION



1. Metal studs
2. Substrate
3. Moisture barrier
4. Mineral wool type insulation (thickness per spec.)
5. Aluminum horizontal Z-girts (or Double L angles)
6. ALPHATON® terra cotta PANEL
7. Vertical support aluminum extrusion / M2-MP
8. Terra cotta PANEL middle/bottom Aluminum clip



CITATIONS

- <http://www.shildan.com/advantage/>
- <http://www.terreal.us/solutions/terra-cotta-performance/>