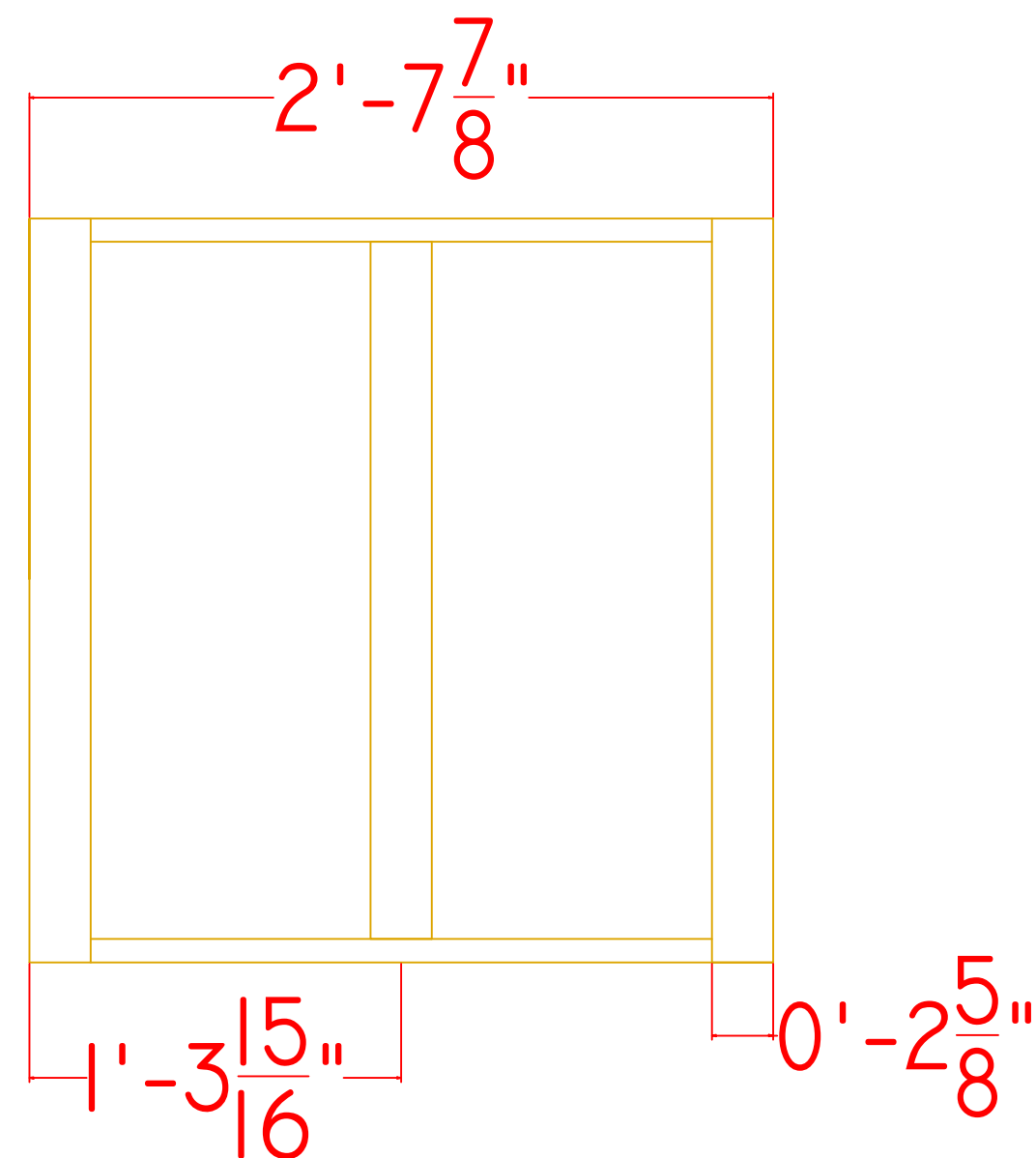
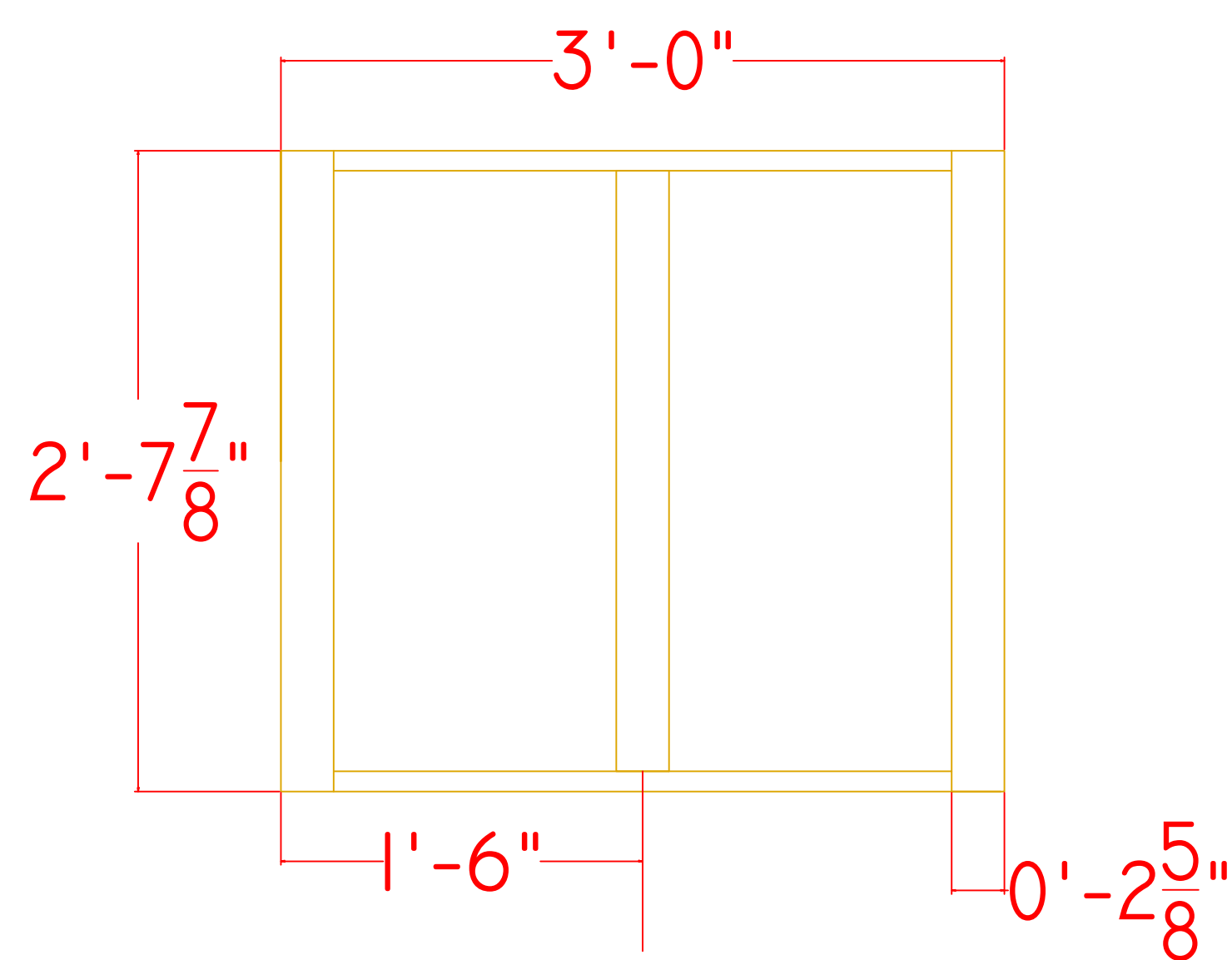


C	C	C	C	C	C	c
A	A	A	A	A	A	B
A	A	A	A	A	A	B
A	A	A	A	A	A	B
A	A	A	A	A	A	B
A	A	A	A	A	A	B
A	A	A	A	A	A	B

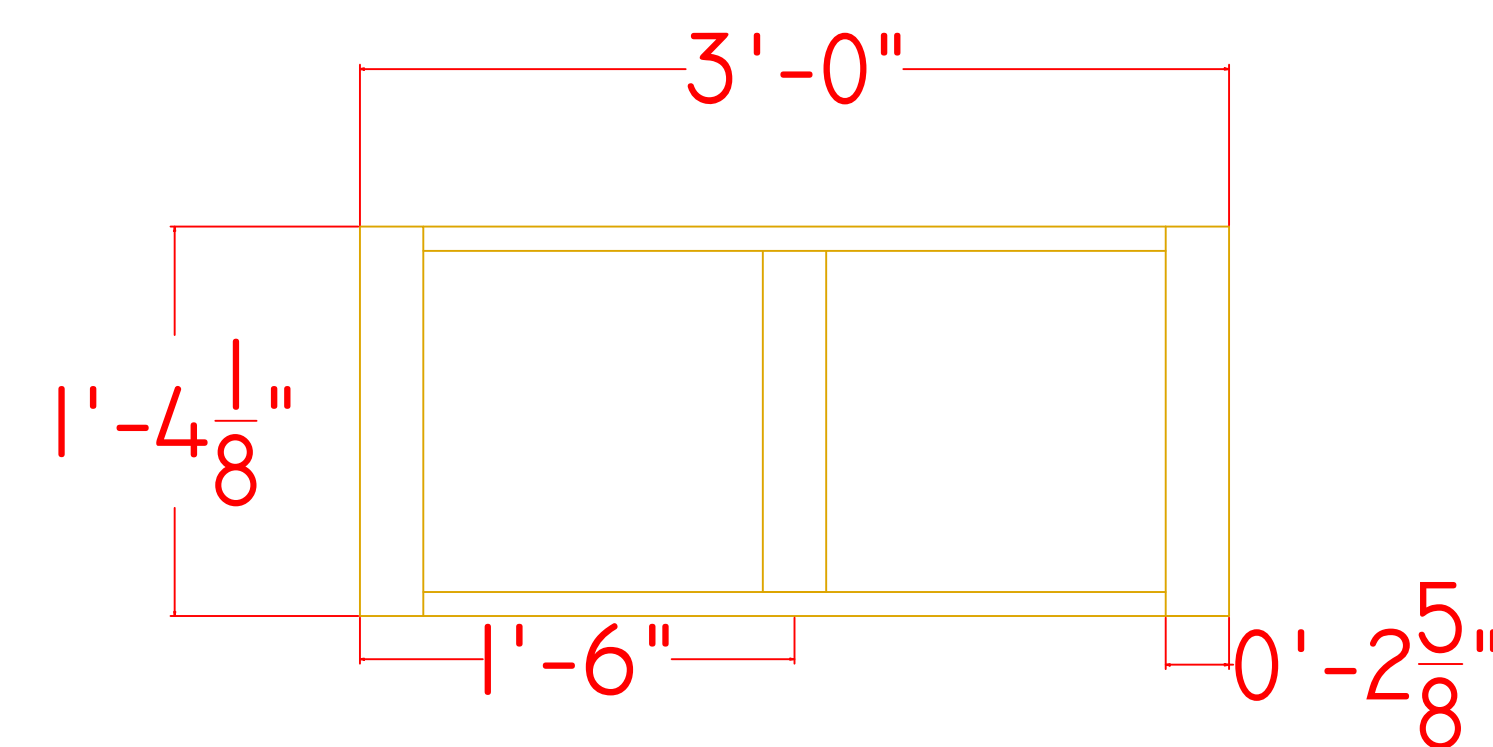
NEW YORK CITY COLLEGE OF TECHNOLOGY
DEPARTMENT 4410 THEATRICAL DRAFTING
PROBLEM #2
2/24/2014
SHANNON WHITE
INSTALLATION PLAN 1



1 Triscuit A  
Build 36



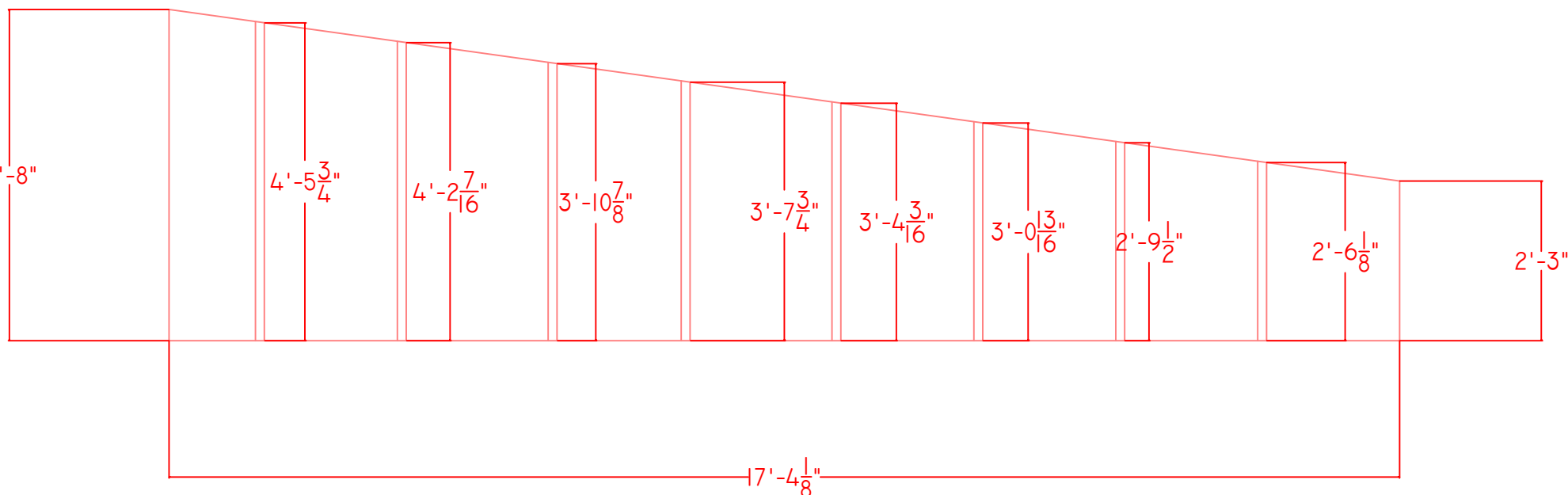
1 Triscuit B  
Build 6



1 Triscuit C  
Build 7

**NOTES:**  
**BUILD OUT OF 5/4X 6 PINE**  
**STAPLE LIDS 4" ON CENT.**  
**COVER WITH 5/8" PLY**

**NEW YORK CITY COLLEGE OF TECHNOLOGY**  
**ENT 4410 THEATRICAL DRAFTING**  
**PROBLEM # 2**  
**2/24/2014**  
**SHANNON WHITE**  
**TRISCUITS 1**



**1 Studwalls  
Build 8**

NEW YORK CITY COLLEGE OF TECHNOLOGY
ENT 4410 THEATRICAL DRAFTING
PROBLEM #2
2/24/2014
SHANNON WHITE
Studwall