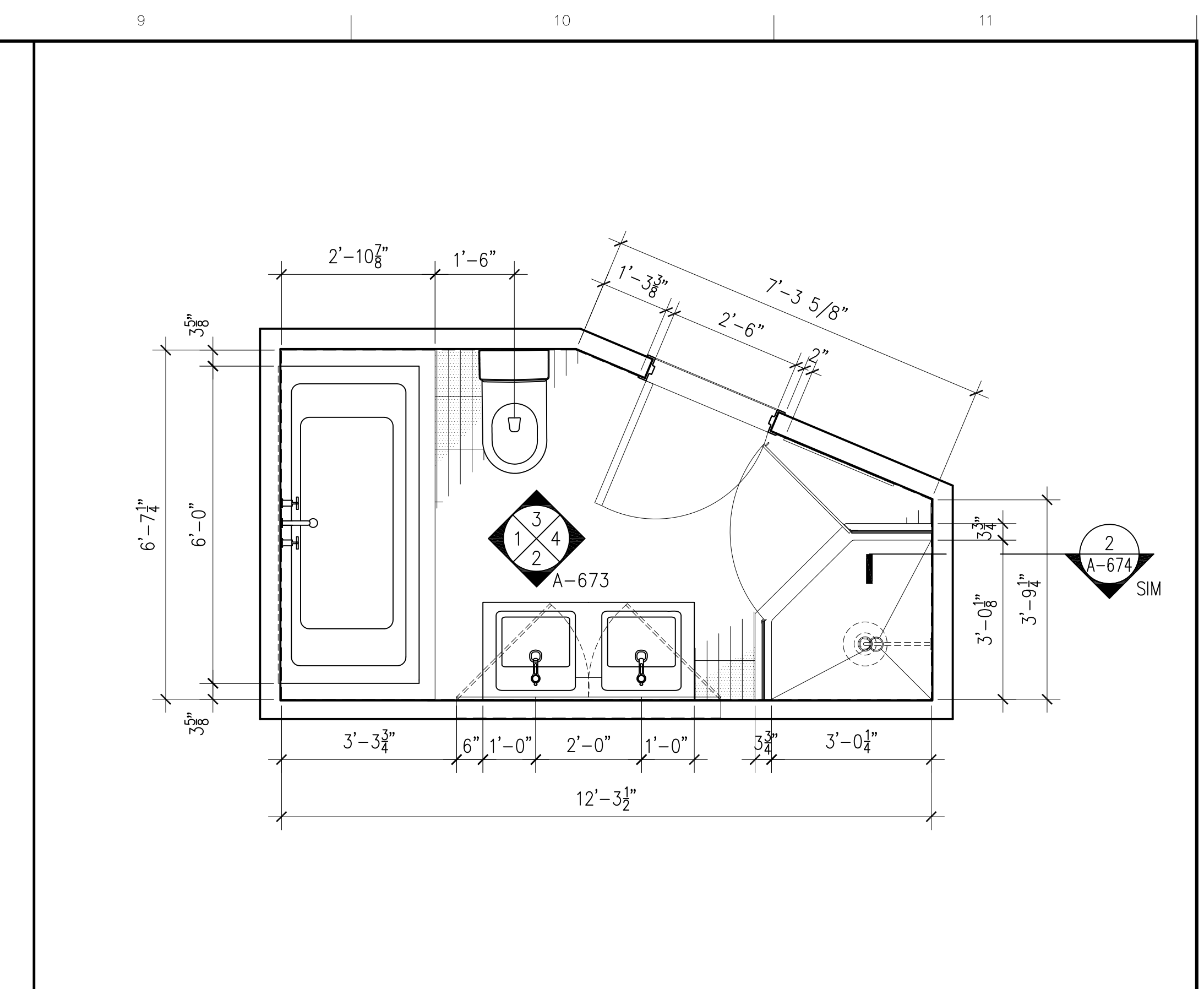
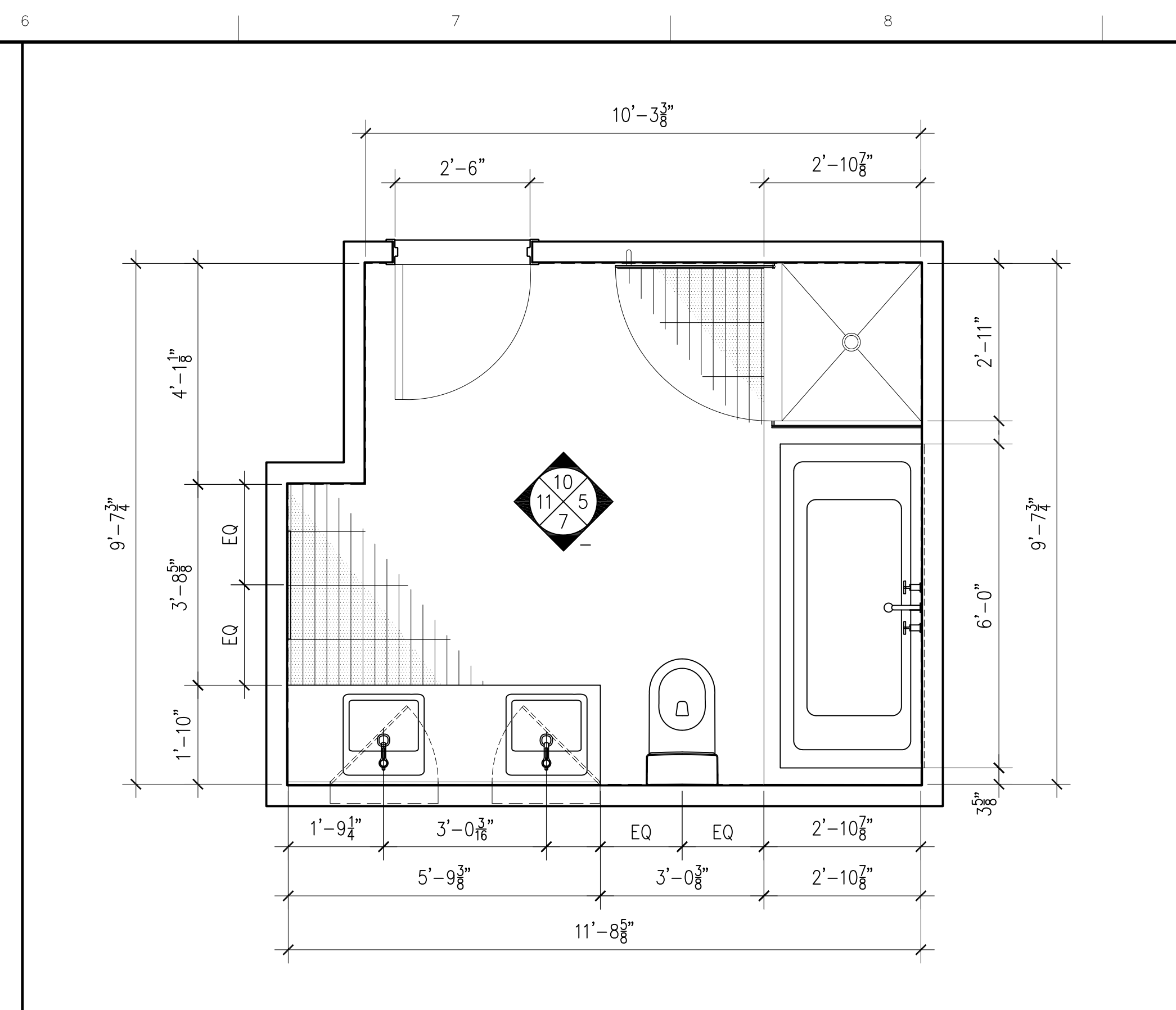
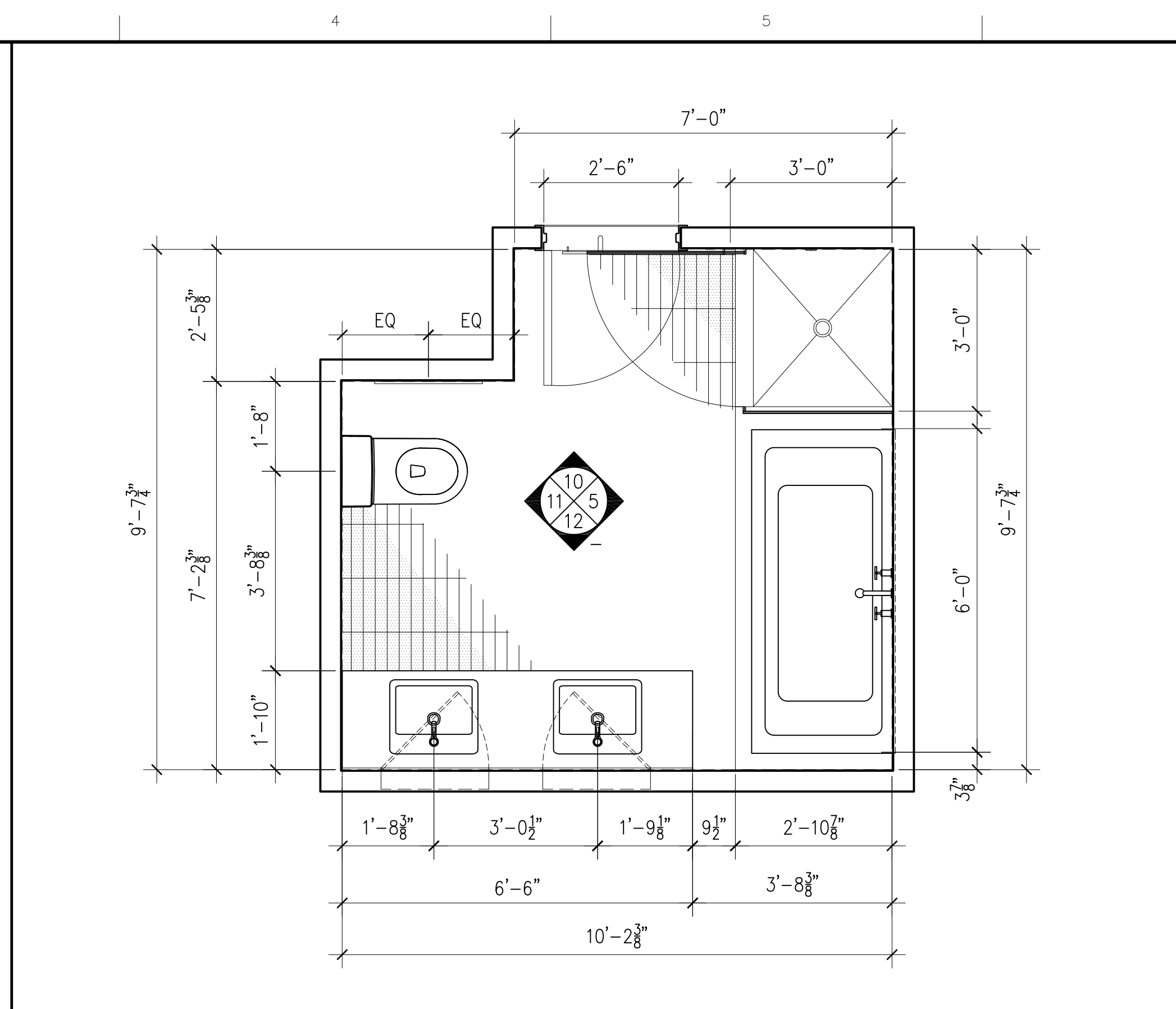


NOTES:
 1. REFER TO SCHEDULE ON SHEET A-673 FOR FIXTURE TYPES
 2. DETAIL TARGETS ARE TYPICAL FOR ALL TOILET TYPES UNLESS OTHERWISE NOTED.

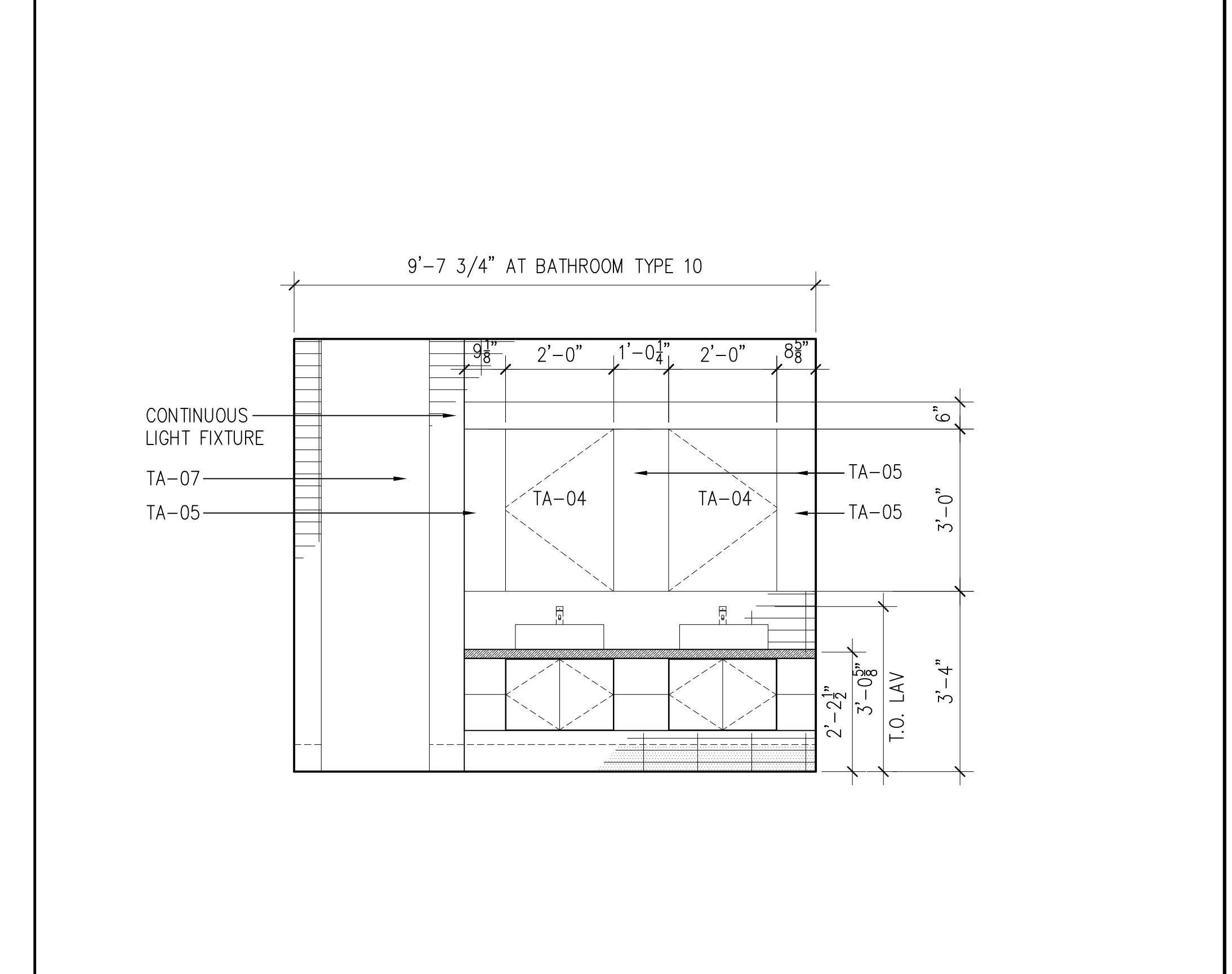
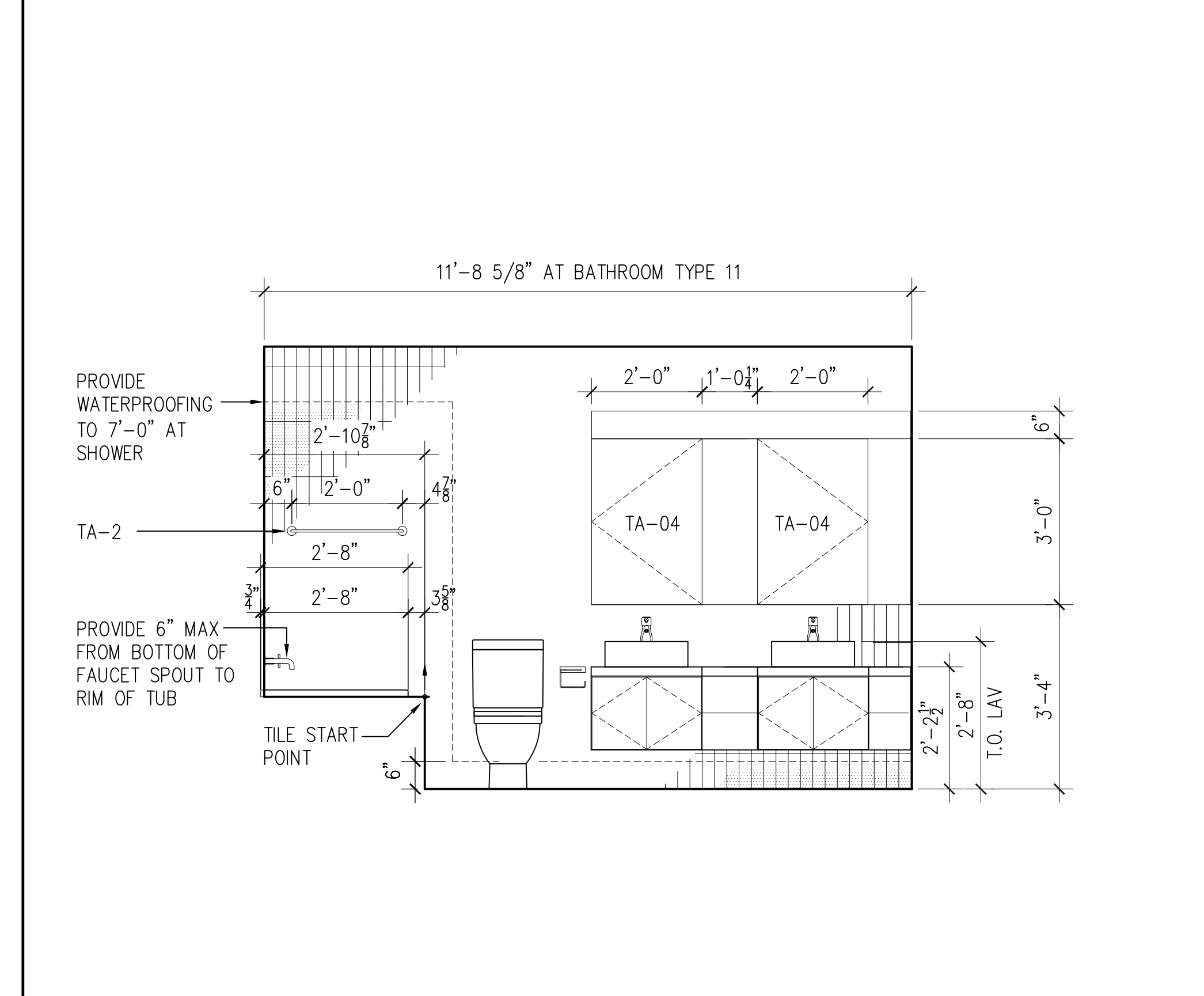
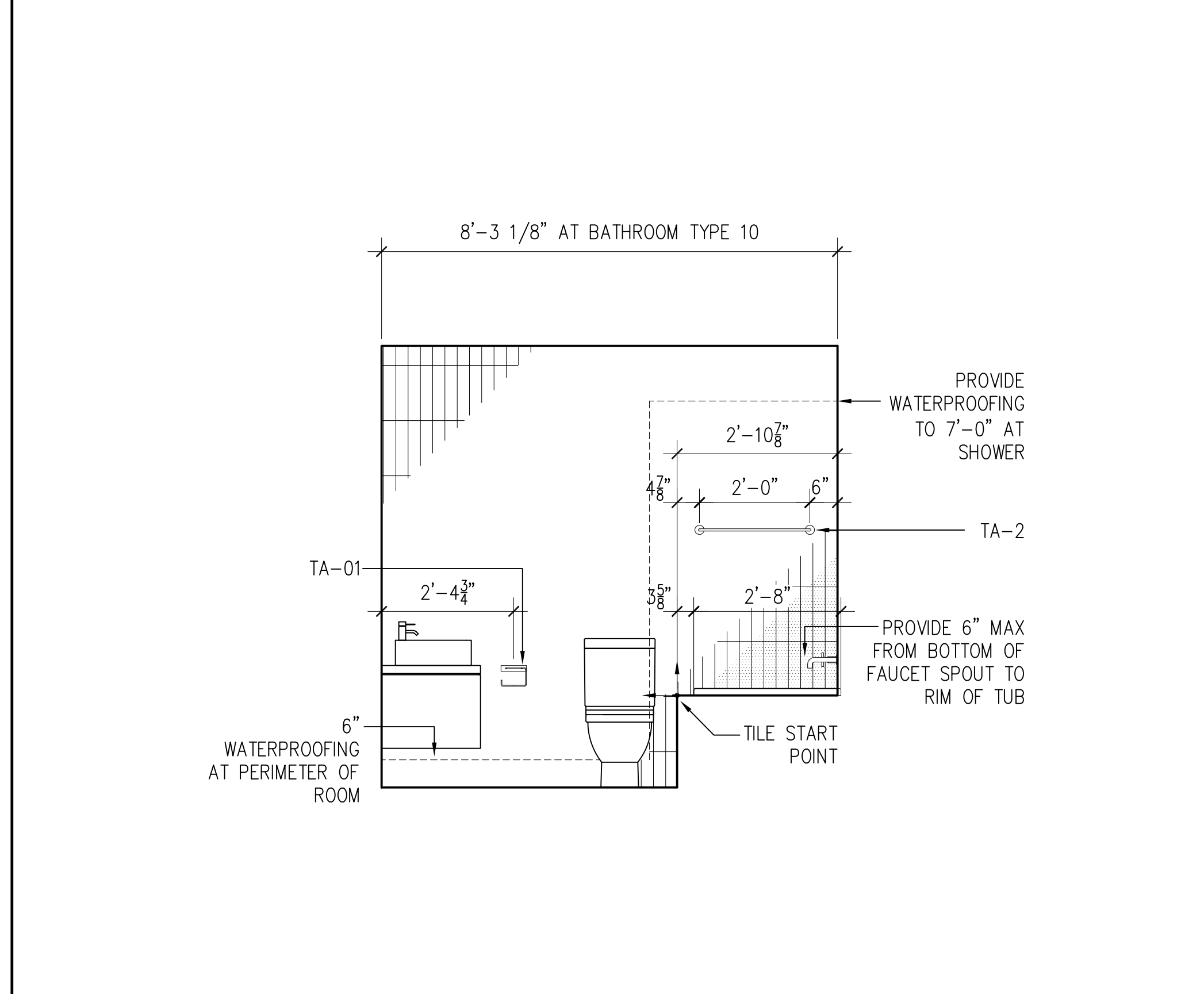
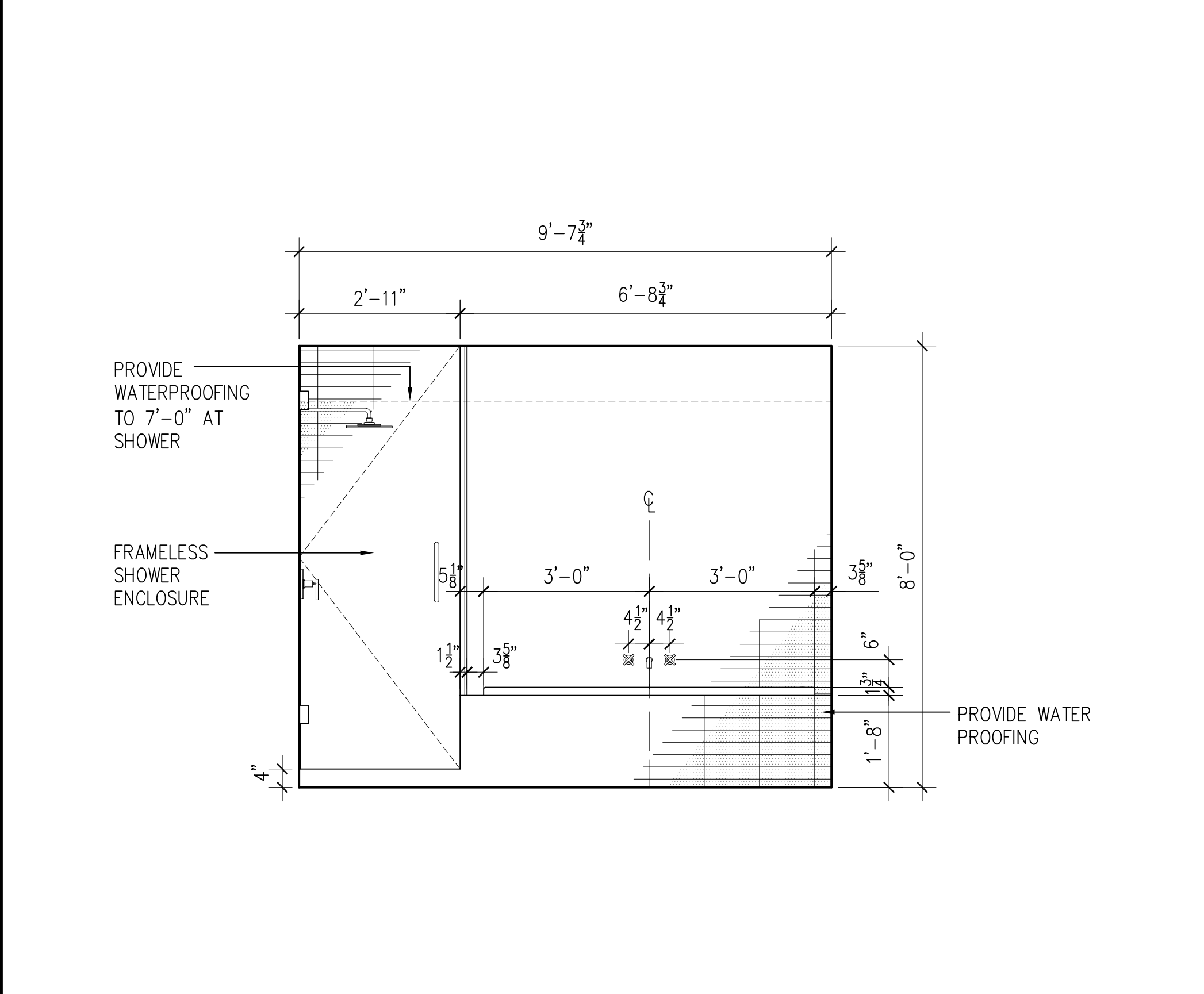


1 ENLARGED BATHROOM PLAN TYPE 10
 SCALE: (C) 1/2" = 1"

2 ENLARGED BATHROOM PLAN TYPE 9
 SCALE: (C) 1/2" = 1"

3 ENLARGED BATHROOM PLAN TYPE 11
 SCALE: (C) 1/2" = 1"

4 ENLARGED BATHROOM PLAN TYPE 12
 SCALE: (C) 1/2" = 1"

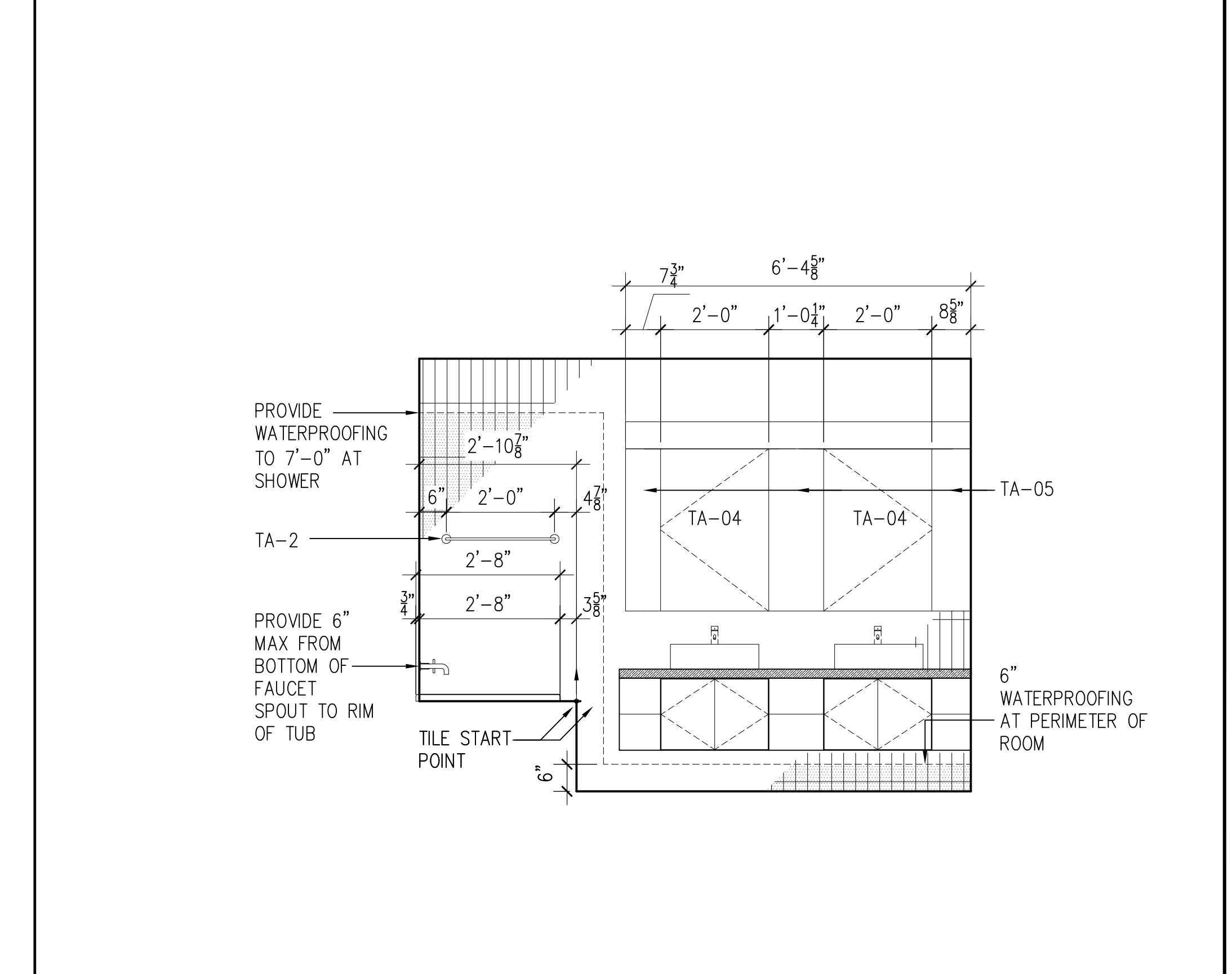
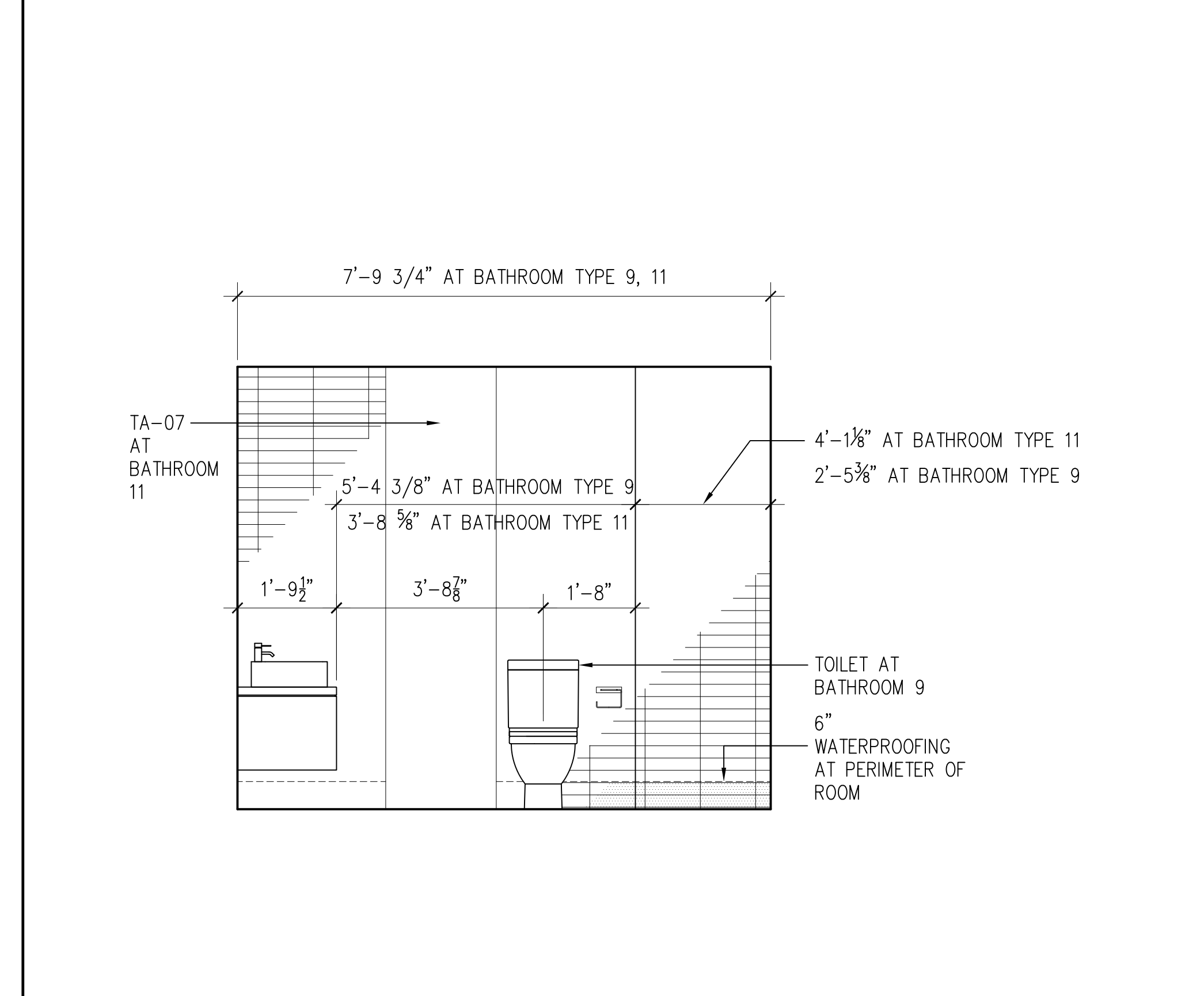
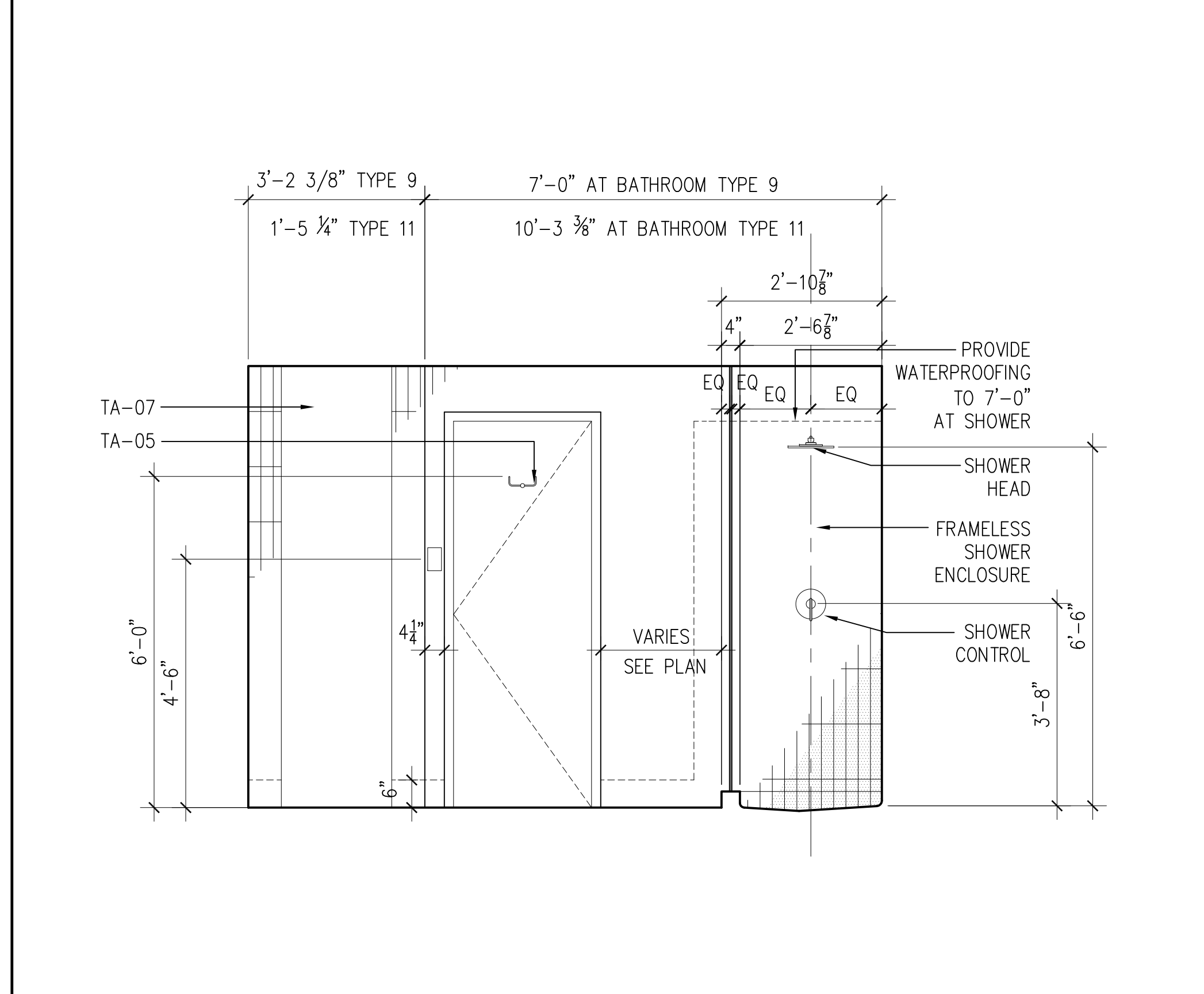
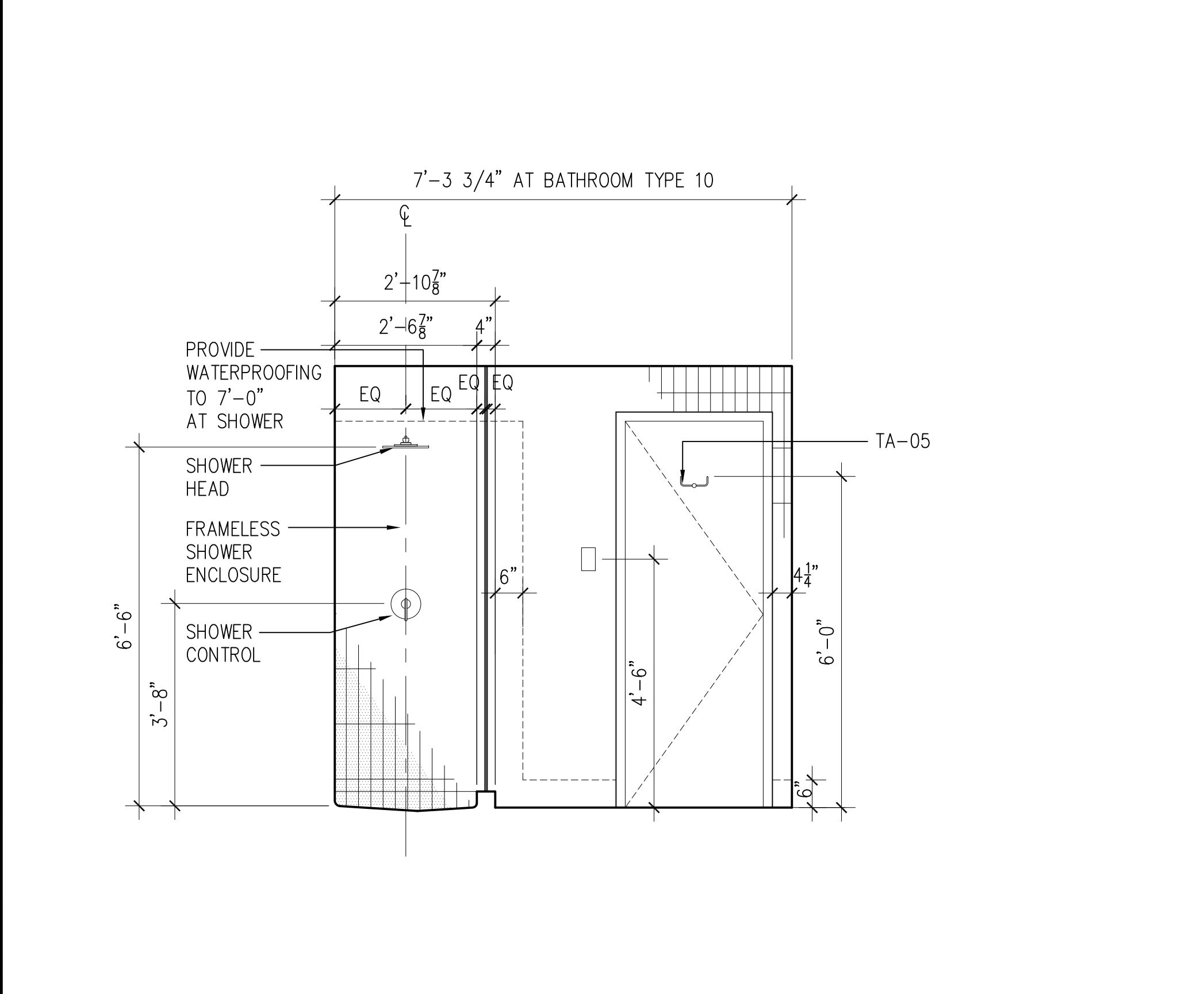


5 BATHROOM ELEVATION
 SCALE: (C) 1/2" = 1"

6 BATHROOM ELEVATION
 SCALE: (C) 1/2" = 1"

7 BATHROOM ELEVATION
 SCALE: (C) 1/2" = 1"

8 BATHROOM ELEVATION
 SCALE: (C) 1/2" = 1"



9 BATHROOM ELEVATION
 SCALE: (C) 1/2" = 1"

10 BATHROOM ELEVATION
 SCALE: (C) 1/2" = 1"

11 BATHROOM ELEVATION
 SCALE: (C) 1/2" = 1"

12 BATHROOM ELEVATION
 SCALE: (C) 1/2" = 1"

NOTES:

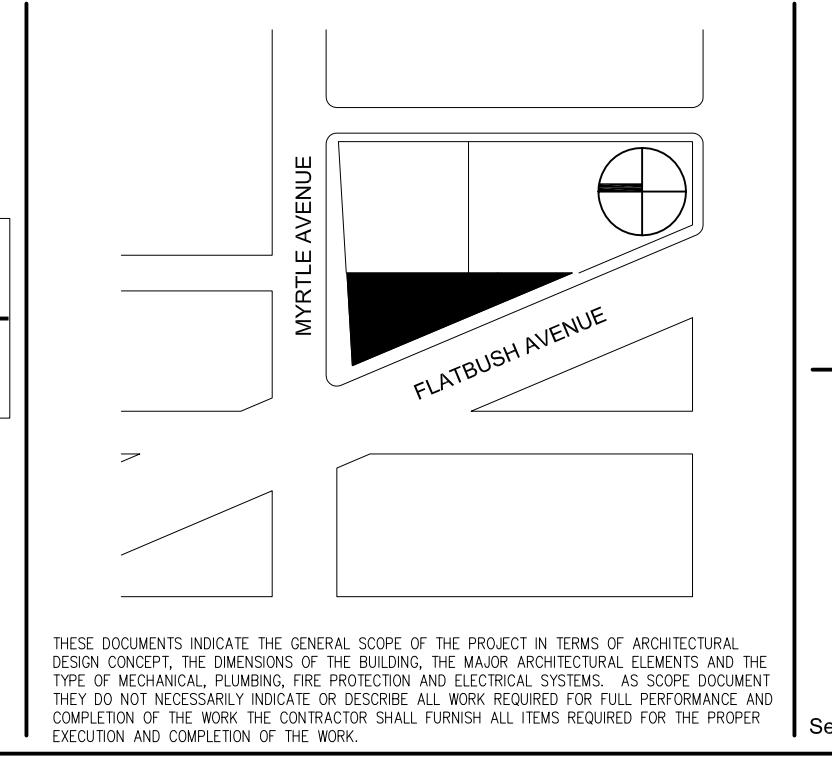
Structural Engineer:
Severud Associates CONSULTING ENGINEERS P.C.
 469 Seventh Avenue
 New York, N.Y. 10018

Mechanical Engineer:
ENERGY CONCEPTS
 25 Chapel Street, Suite 902
 Brooklyn, NY, 11201

Architect:
SOM
 SKIDMORE, OWINGS & MERRILL LLP
 1510 N Las Palmas Avenue, Suite 7
 Hollywood, California 90028



Client:
BFC Partners
 2226 First Avenue
 New York, New York 10029



1	03 APR 07	ADDENDUM #1	Issue
2	SEP 08	RECORD SET	

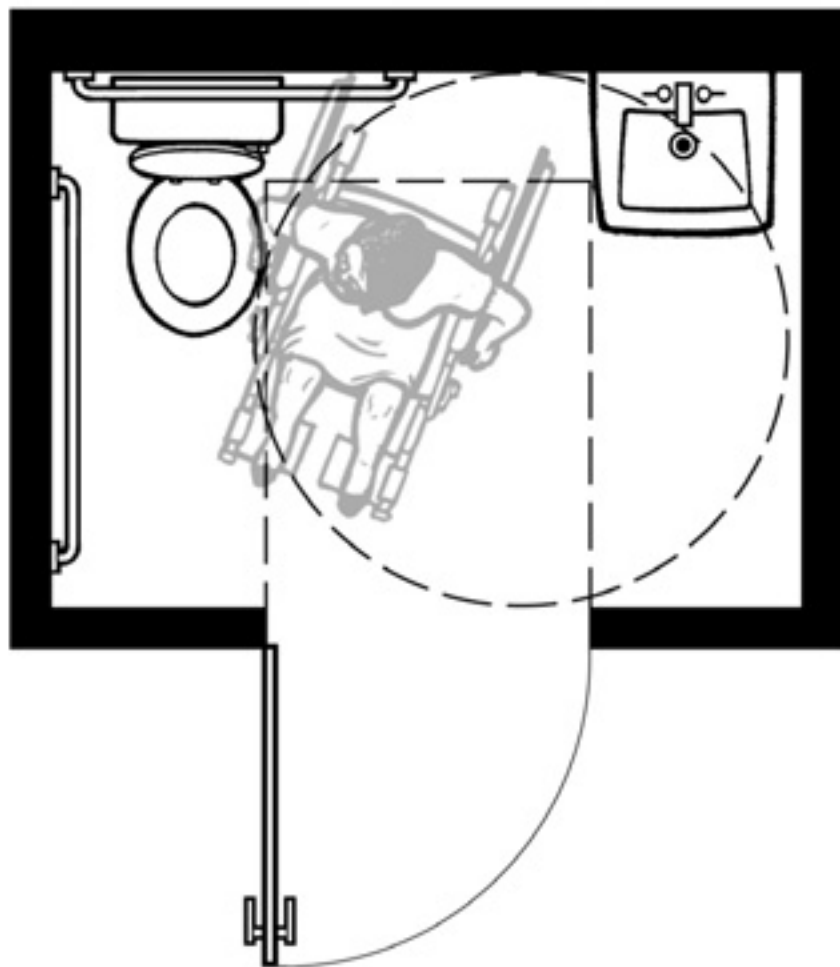
Sheet Name:
BATHROOM ELEVATIONS

Scale (ARCHITECTS):
 1/2" = 1'-0"

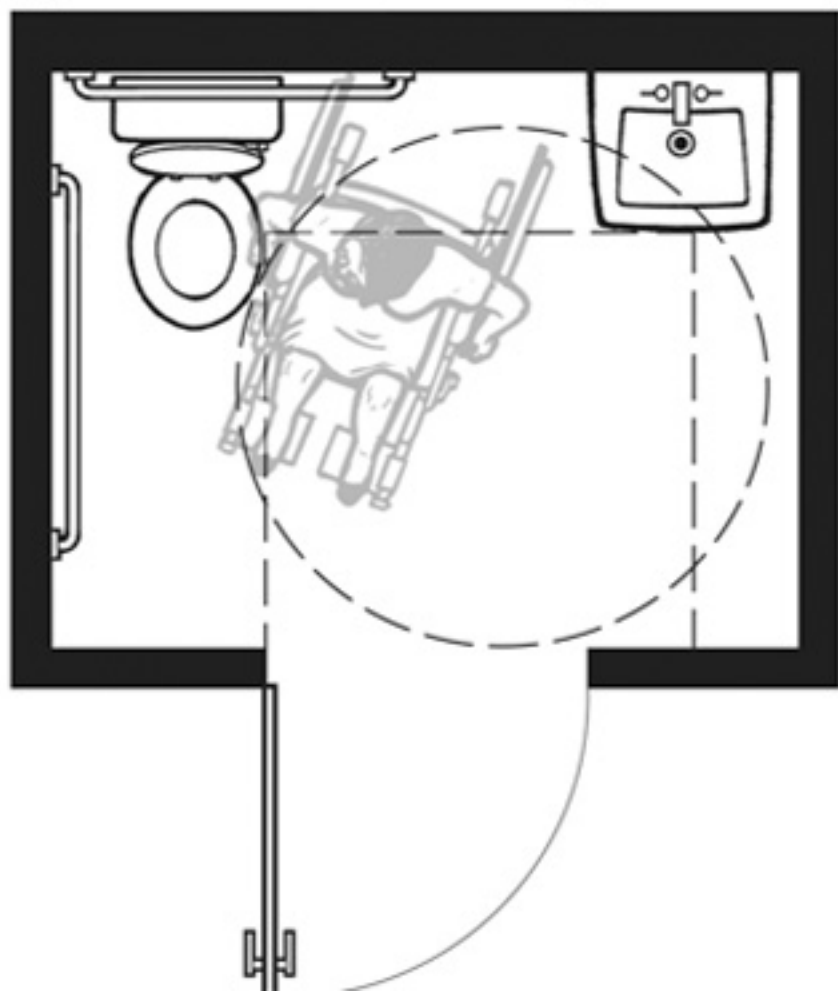
Sheet No.:
A-672

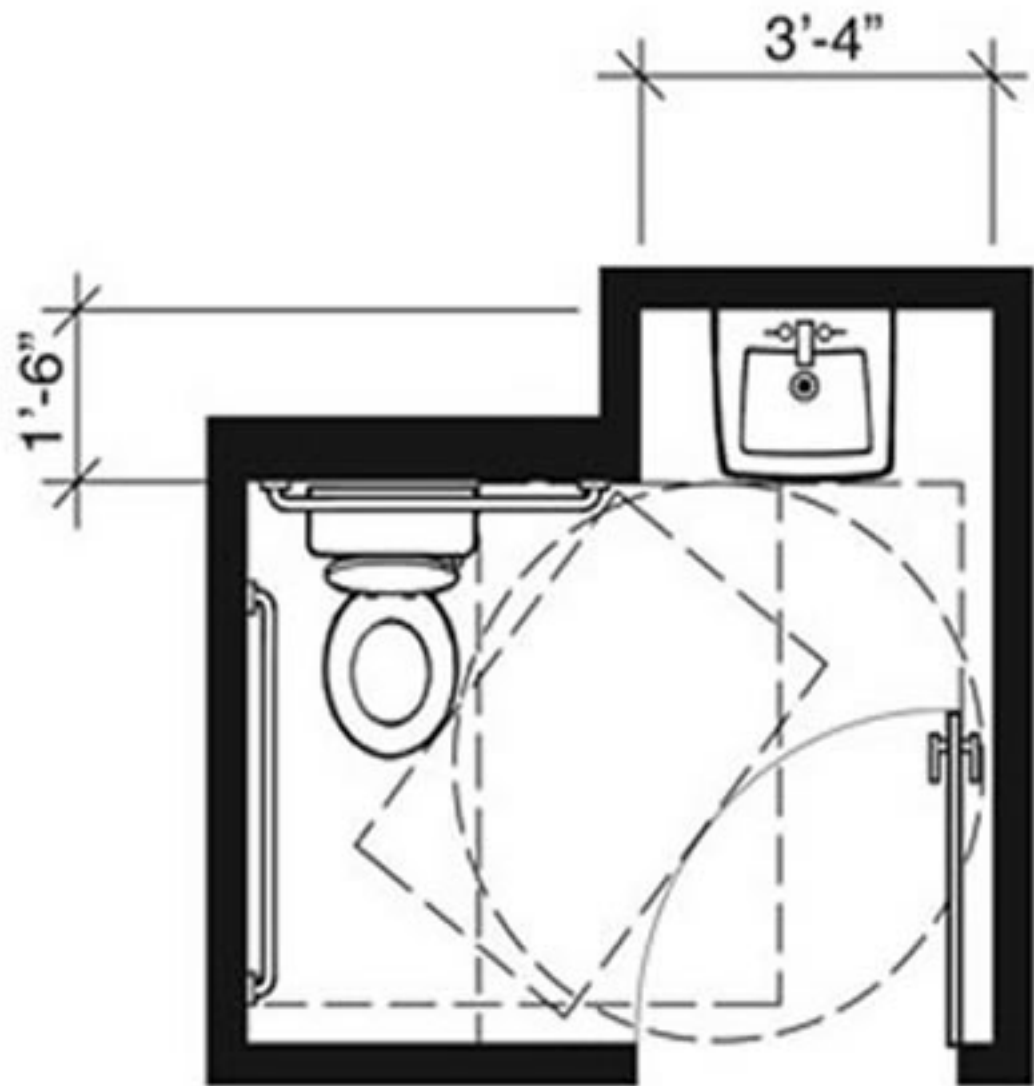
DATE: 03/07
 USER: JACOB
 PROJECT: 200144
 SHEET: A-672

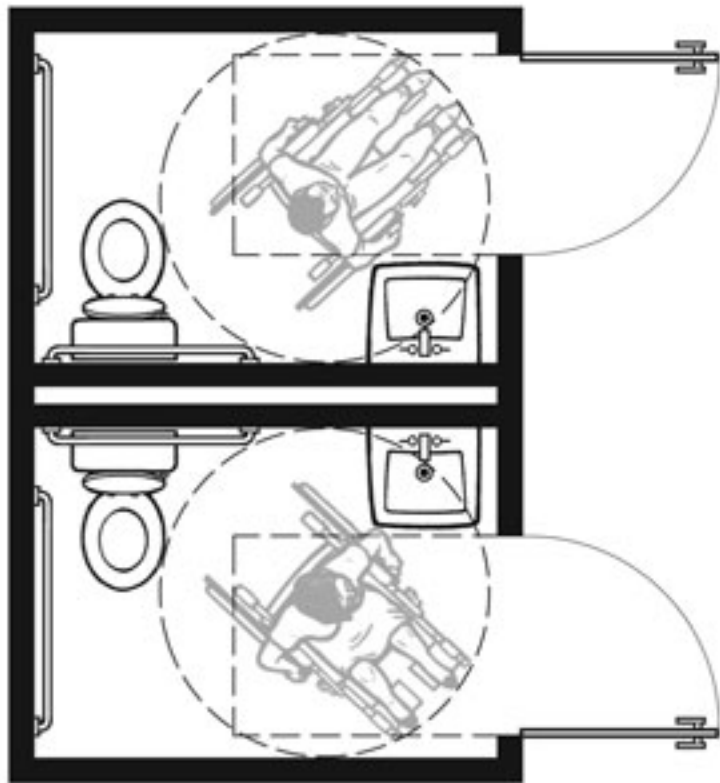
5'-0" min

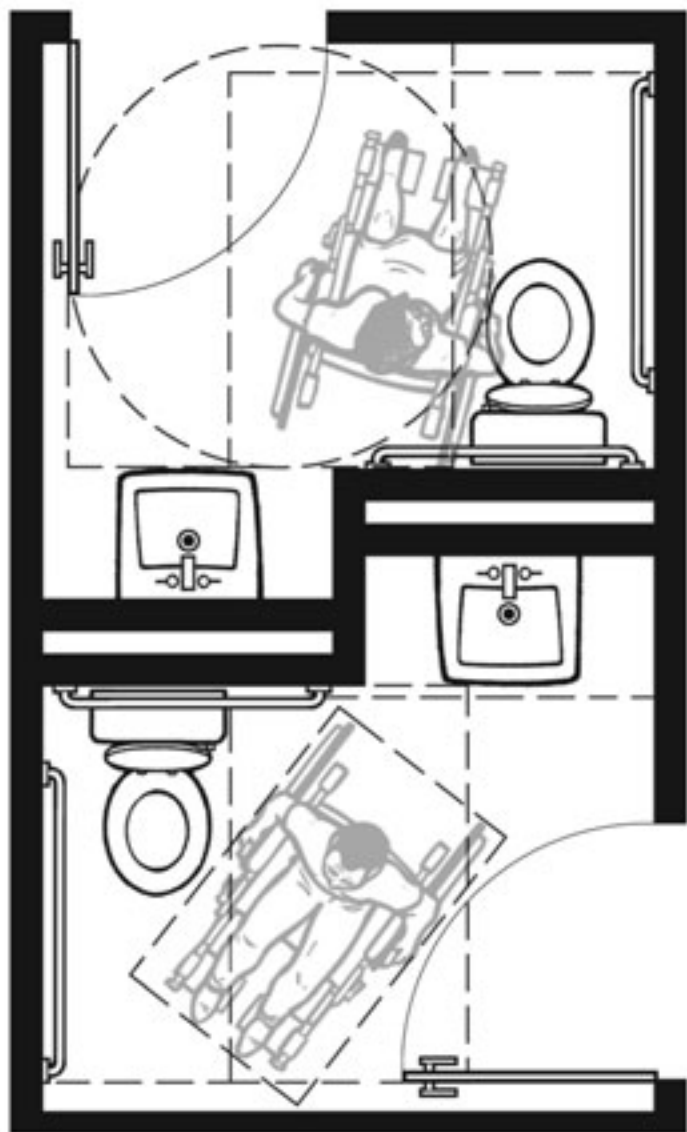


5'-0" min









UNDERCOUNTER SINK K-2330

ADA

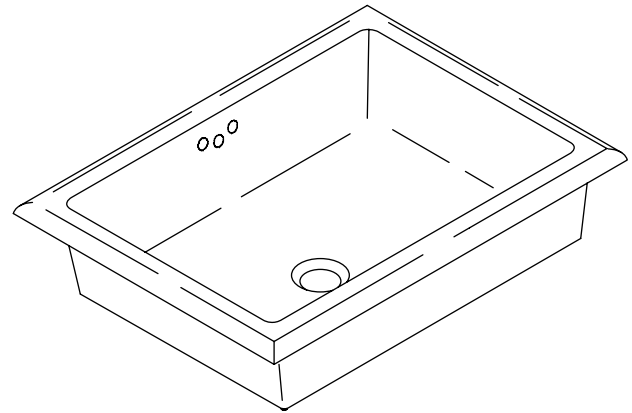
Features

- Vitreous china
- Undercounter
- With overflow
- Includes 52047 clamp assembly
- 17" (43.2 cm) x 13" (33 cm)

Codes/Standards Applicable

Specified model meets or exceeds the following:

- ADA
- ASME A112.19.2/CSA B45.1
- ICC/ANSI A117.1



Colors/Finishes

- 0: White
- Other: Refer to Price Book for additional colors/finishes

Specified Model

Model	Description	Colors/Finishes	
K-2330	Undercounter sink less glazed underside	<input type="checkbox"/> 0	<input type="checkbox"/> Other _____
K-2330-G	Undercounter sink with glazed underside	<input type="checkbox"/> 0	<input type="checkbox"/> Other _____

Product Specification

The undercounter sink shall be made of vitreous china. Sink shall be 17" (43.2 cm) in length and 13" (33 cm) in width. Sink shall be available with overflow. Sink shall include 52047 clamp assembly. Sink shall be Kohler Model K-_____-____.

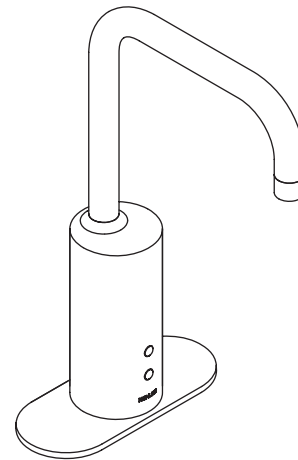
Features

- Brass construction
- Vandal-resistant mixing handle or plug button
- Vandal-resistant aerator
- Electronic infrared sensor with TriPoint™ technology for accurate activation
- Sensor shield included for easy cleaning
- 6" (15.2 cm) spout
- 22" (55.9 cm) flexible supply hoses for easy installation
- Above-counter valve allows for easy installation and maintenance
- Alternate aerator options available (refer to the Kohler Price Book)
- DC models feature an above-counter battery allowing easy changeability
- 0.5 gallons (1.9 L) per minute flow rate
- 6 V lithium-ion battery for DC power supply or 120 V, 60 Hz, 15 W for AC power supply

**ELECTRONIC FAUCET
K-10952**

ALSO K-10953, K-10954, K-10955

ADA



Codes/Standards Applicable

Specified model meets or exceeds the following:

- ASME A112.18.1/CSA B125.1
- Energy Policy Act of 1992
- IAPMO/UPC
- ADA
- CSA International
- Underwriter's Laboratories (UL) (AC Model)

Colors/Finishes

- CP: Polished Chrome
- G: Brushed Chrome
- NA: None applicable

Specified Model:

Model	Description	Colors/Finishes	
K-10952-4	DC manual water adjustment, above-counter battery changeability, single-hole mount	<input type="checkbox"/> CP	<input type="checkbox"/> G
K-10953-4	AC manual water adjustment, single-hole mount	<input type="checkbox"/> CP	<input type="checkbox"/> G
K-10954-4	DC manual water adjustment, above-deck battery changeability, three-hole mount with 4" (10.2 cm) escutcheon	<input type="checkbox"/> CP	<input type="checkbox"/> G
K-10955-4	AC manual water adjustment, three-hole mount with 4" (10.2 cm) escutcheon	<input type="checkbox"/> CP	<input type="checkbox"/> G
K-10982	Plug-in adapter (required for AC)	<input type="checkbox"/> NA	

Product Specification

Electronic faucet shall be of brass construction. The faucet shall feature an electronic infrared sensor with Tripoint technology and requires a plug-in power supply. The faucet shall have a flow rate of 0.5 gpm (1.9 lpm). The faucet shall have alternate flow aerator options. The faucet shall feature vandal-resistant mixing handle or plug button. The faucet shall include 6" (15.2 cm) spout, vandal-resistant aerator, sensor shield for easy cleaning, and 22" (55.9 cm) flexible supply hoses. The faucet shall have above-counter battery and valve for easy installation and maintenance. The faucet shall use a 6 V lithium-ion battery for DC power supply or 120 V, 60 Hz, 15 W for AC power supply. The faucet shall be Kohler Model K-____-____-____ and plug-in power supply shall be Kohler Model K-10982-NA.

Installation Notes

Install this product according to the installation guide.

One-stud configuration - 1-1/16" (2.7 cm) D. Min to 1-1/4" (3.2 cm) D. Max mounting hole.

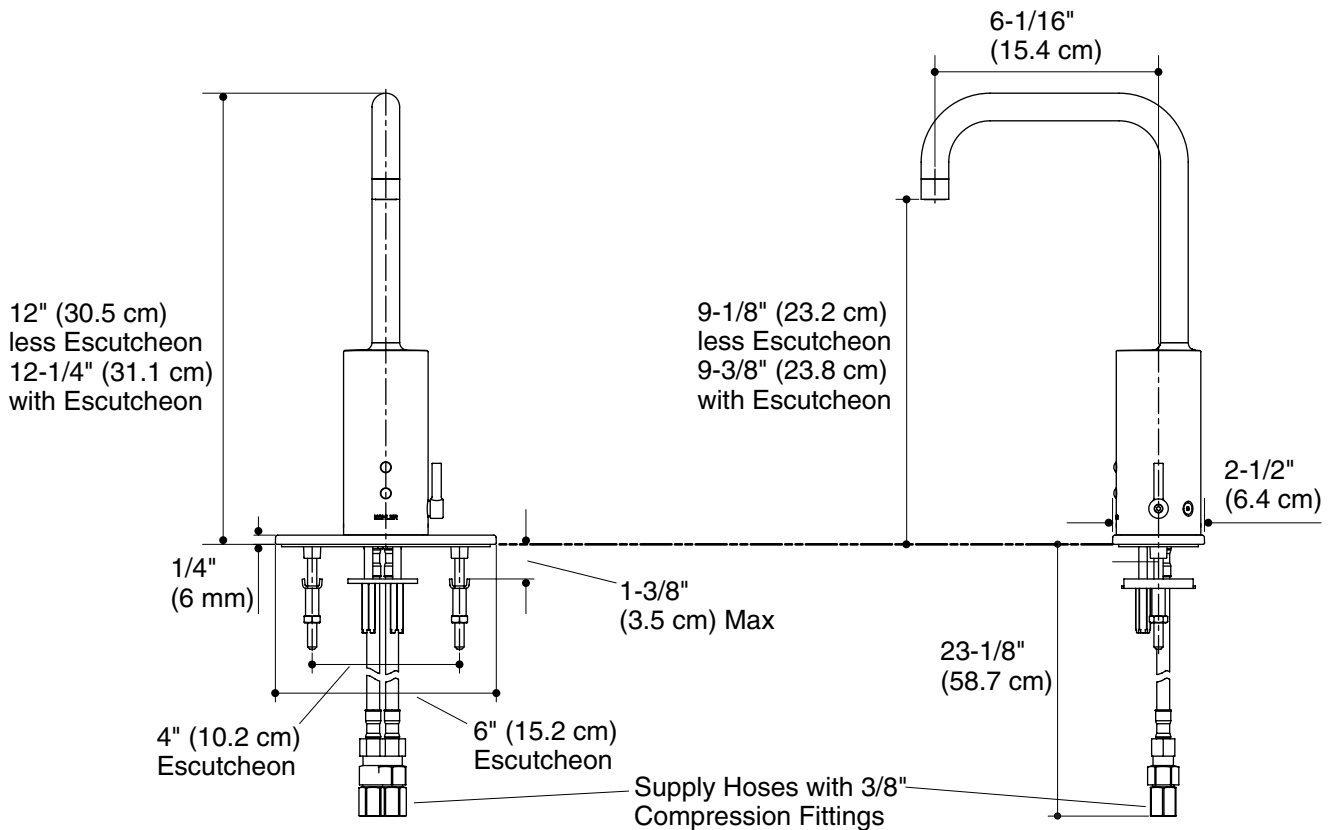
Two-stud configuration - 1-1/4" (3.2 cm) D. Min to 2-1/2" (6.4 cm) D. Max mounting hole.

Allow 1-3/4" (4.4 cm) clearance between back of the spout and wall for setscrew access.

The distance from lavatory basin edge to base of the spout should be 1-1/8" (2.9 cm) Max.

The lip basin height should be 1" (2.5 cm) Max.

Product uses a 6 V lithium-ion battery for the DC version or 120 V, 60 Hz, 15 W for the AC version.



Product Diagram

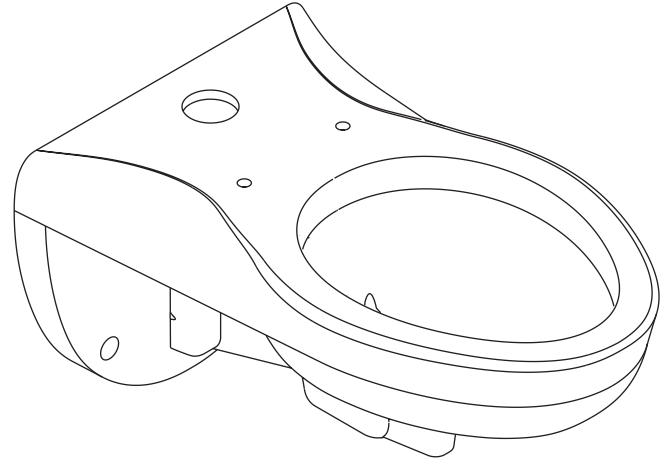
Features

- Vitreous china
- Elongated bowl
- Siphon jet
- Wall-mount
- With bedpan lugs (-L)
- 1-1/2" top spud
- 1.28 gpf (4.8 lpf)
- 10-1/2" (26.7 cm) x 9" (22.9 cm) water area
- 26-1/2" (67.3 cm) x 16-1/2" (41.9 cm) x 13-1/4" (33.7 cm)

BOWL K-4325

ADA

TAS



Codes/Standards Applicable

Specified model meets or exceeds the following:

- ADA
- TAS
- ICC/ANSI A117.1
- ASME A112.19.2/CSA B45.1
- Energy Policy Act of 1992

Colors/Finishes

- 0: White
- Other: Refer to Price Book for additional colors/finishes

Accessories

- 0: White
- CP: Polished Chrome
- Other: Refer to Price Book for additional colors/finishes

Specified Model

Model	Description	Colors/Finishes	
K-4325	Elongated bowl	<input type="checkbox"/> 0	<input type="checkbox"/> Other_____
K-4325-L	Elongated bowl with bedpan lugs	<input type="checkbox"/> 0	<input type="checkbox"/> Other_____

Recommended Accessories			
K-10956	1.28 gpf (4.8 lpf) Touchless™ DC toilet flushometer	<input type="checkbox"/> CP	
K-4731-C	Stronghold® open-front elongated seat	<input type="checkbox"/> 0	<input type="checkbox"/> Other_____
K-4731-SC	Stronghold® open-front elongated seat with integrated handle	<input type="checkbox"/> 0	<input type="checkbox"/> Other_____
K-4731-GC	Stronghold® Quiet-Close™ open-front elongated seat	<input type="checkbox"/> 0	<input type="checkbox"/> Other_____

Product Specification

The elongated bowl shall be made of vitreous china. Bowl shall be 26-1/2" (67.3 cm) in length, 16-1/2" (41.9 cm) in width, and 13-1/4" (33.7 cm) in height. The bowl shall be wall-mount with a 1-1/2" top spud. Bowl shall have siphon jet. Bowl shall have 20% water savings over standard 1.6 (6 lpf) models. Bowl shall have bedpan lugs (-L). Bowl shall be 1.28 gpf (4.8 lpf). Bowl shall have 10-1/2" (26.7 cm) x 9" (22.9 cm) water area. Bowl shall be Kohler Model K-4325-_____.

Technical Information

Fixture:	
Configuration	top spud, elongated
Water per flush	1.28 gal (4.85 L)*
Spud size	1-1/2"
Passageway	2-1/8" (5.4 cm)
Water area	10-1/2" (26.7 cm) x 9" (22.9 cm)
Water depth from rim	5-1/4" (13.3 cm)
Seat post hole centers	5-1/2" (14 cm)
* Designed to flush with 1.28 gal (4.8 L) of water when installed with a 1.28 gal (4.8 L) flush valve.	
Included components:	
Spud	18357
Flush valve requirements: Refer to manufacturer and local codes.	

Installation Notes

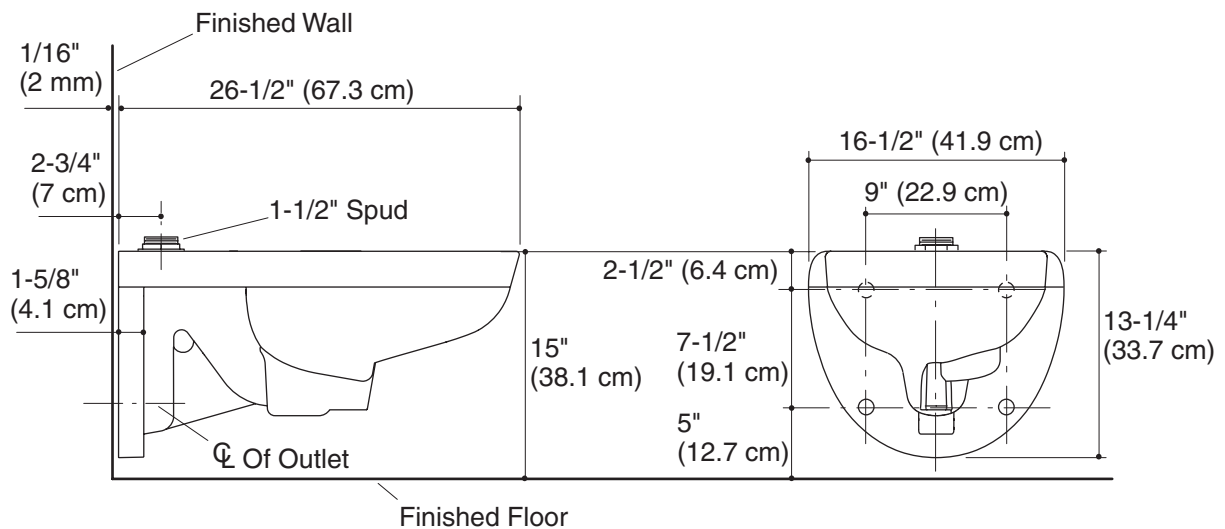
Install this product according to the installation guide.

Will comply with the American Disabilities Act (ADA) when installed per the requirements of the Accessibility Guidelines, Section 604 Water Closets, of the Act. The Model Plumbing Codes require the installation of elongated open-front toilet seats in public bathrooms.

For TAS compliance the required seating height with the toilet seat installed is:

Adults – 17" (43.2 cm) to 19" (48.3 cm)

Children (Elementary Grade Levels 6 through 8 or 9) – 15" (38.1 cm) to 17" (43.2 cm)



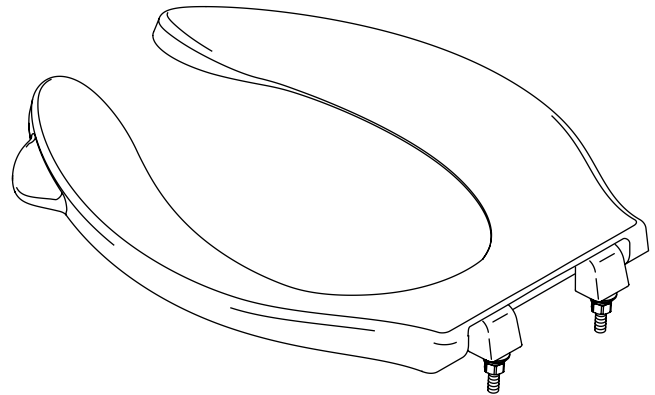
Product Diagram

COMMERCIAL TOILET SEAT K-4731

ADA

Features

- Solid polypropylene plastic
- Elongated open-front
- Ergonomic contour adds additional comfort
- Integrated handle allows user to easily raise and lower the ring
- Stainless steel hinge arms and hardware
- Less cover
- ADA compliant when installed with an ADA compliant toilet
- Anti-microbial agent inhibits growth of odor-causing bacteria, mold, and mildew [-CA, -GA, -SA]
- Check hinge stops seat from leaning back and applying pressure on tank/flushometer [-C, -CA]
- Self-sustaining check hinge prevents slamming with check hinge functionality [-SC, -SA]
- Quiet-Close™ check hinge will slowly close with check hinge functionality [-GC, -GA]



Codes/Standards Applicable

Specified model meets or exceeds the following:

- ADA
- ANSI Z124.5

Colors/Finishes

- 0: White
- 7: Black Black™
- Other: Refer to Price Book for additional colors/finishes

Specified Model

Model	Description	Colors/Finishes		
K-4731-C	Elongated open-front seat – check hinge	<input type="checkbox"/> 0	<input type="checkbox"/> 7	<input type="checkbox"/> Other_____
K-4731-CA	Elongated open-front seat – check hinge and anti-microbial agent	<input type="checkbox"/> 0		
K-4731-GC	Elongated open-front seat – Quiet-Close™ check hinge	<input type="checkbox"/> 0	<input type="checkbox"/> 7	<input type="checkbox"/> Other_____
K-4731-GA	Elongated open-front seat – Quiet-Close™ check hinge and anti-microbial agent	<input type="checkbox"/> 0		
K-4731-SC	Elongated open-front seat – self-sustaining check hinge	<input type="checkbox"/> 0	<input type="checkbox"/> 7	<input type="checkbox"/> Other_____
K-4731-SA	Elongated open-front seat – self-sustaining check hinge and anti-microbial agent	<input type="checkbox"/> 0		

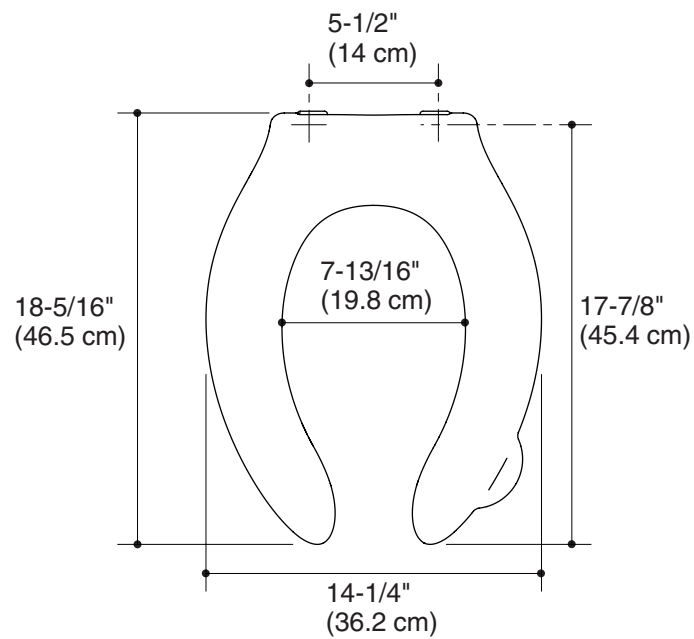
Product Specification

The elongated open-front toilet seat shall be made of solid polypropylene plastic. Product shall be less cover. Product shall have stainless steel hinge arms and hardware. Product shall feature an ergonomic contour which adds additional comfort. Product shall feature an integrated handle which allows the user to easily raise and lower the ring. Product shall feature an anti-microbial agent which inhibits growth of odor-causing bacteria, mold, and mildew [-CA, -GA, -SA]. Product shall feature a check hinge which stops the seat from leaning back and applying pressure on the tank/flushometer [-C, -CA]. Product shall feature a self-sustaining check hinge which prevents slamming with check hinge functionality [-SC, -SA]. Product shall feature a Quiet-Close™ check hinge which will slowly close with check hinge functionality [-GC, -GA]. Product shall be ADA compliant when installed with an ADA compliant toilet. Toilet seat shall be Kohler Model K-4731-____-____.

STRONGHOLD®

Installation Notes

Install this product according to the installation guide.



Product Diagram

Features

- Brass construction
- Fixture-mount design
- Includes four 1.5 V AA batteries
- Electronic infrared sensor with TriPoint™ technology for accurate activation
- Intended for toilet installations with 1-1/2" spud coupling connection
- Retrofit models require a control stop and vacuum breaker
- 1.28 gpf (4.85 lpf) flush flow rate for low water consumption (K-10956 and K-10669)
- 1.6 gpf (6 lpf) flush flow rate (K-10957 and K-10962)

Codes/Standards Applicable

Specified model meets or exceeds the following:

- ASSE 1037
- CSA B64
- ADA
- FCC 47, Part 15
- CAN/CSA-CEI/IEC CISPR 22:02
- EN 55022
- ICC/ANSI A117.1
- CSA B125.3

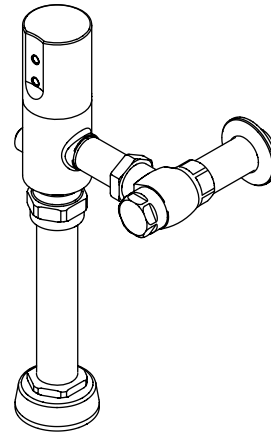
Specified Model:

Model	Description	Colors/Finishes
k-10669	1.28 gpf (4.85 lpf) exposed flush valve retrofit	<input type="checkbox"/> CP
K-10956	1.28 gpf (4.85 lpf) exposed flush valve	<input type="checkbox"/> CP
K-10957	1.6 gpf (6 lpf) exposed flush valve	<input type="checkbox"/> CP
K-10962	1.6 gpf (6 lpf) exposed flush valve retrofit	<input type="checkbox"/> CP

**EXPOSED FLUSH VALVE
K-10956**

ALSO K-10957, K-10962, K-10669

ADA



Colors/Finishes

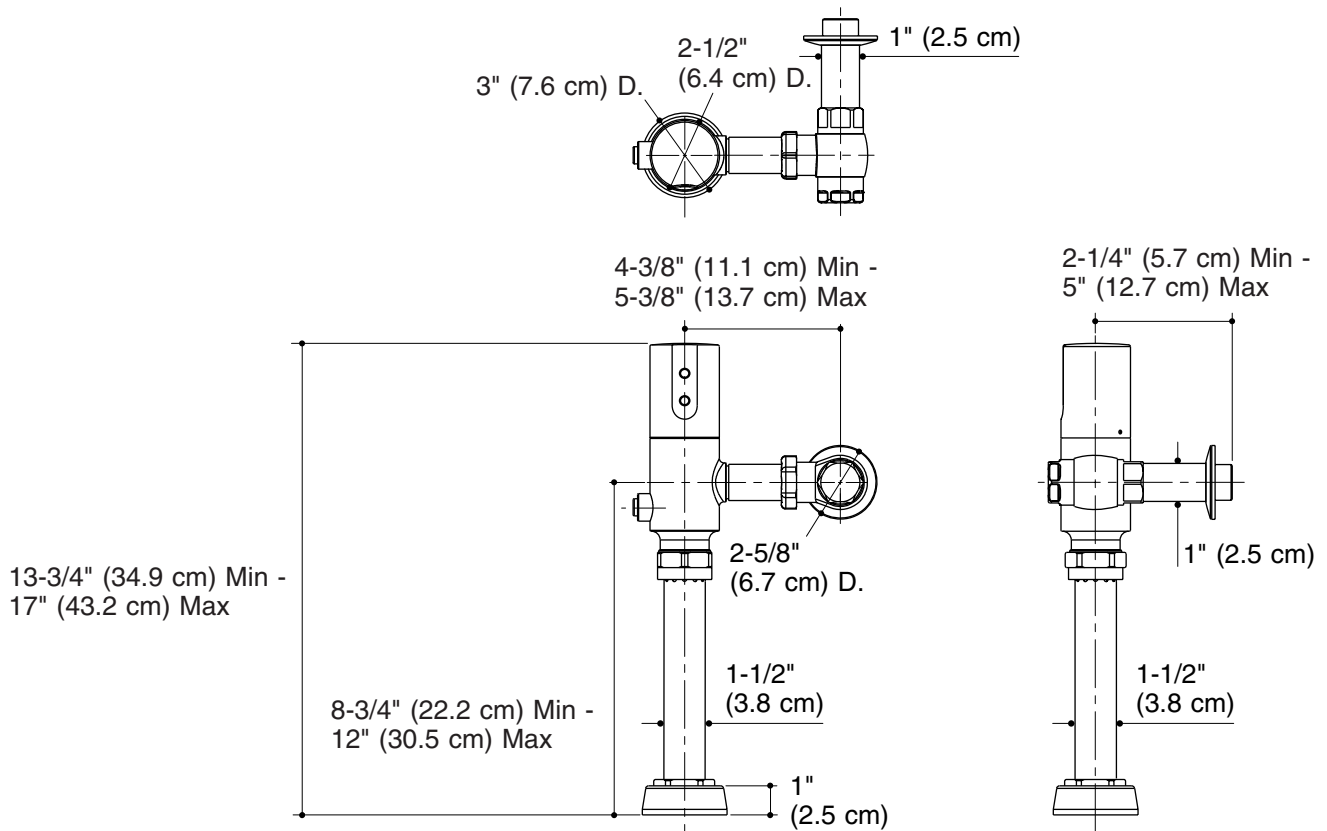
- CP: Polished Chrome

PRODUCT SPECIFICATION

Electronic flush valve shall be of brass construction. Valve shall feature electronic infrared sensor with TriPoint technology for accurate activation. Valve shall be of a fixture-mount design. Product is intended for toilet installations with a 1-1/2" spud coupling connection and retrofit models require a control stop and vacuum breaker. Valve shall have a 1.28 gpf (4.85 lpf) flow rate for low water consumption or 1.6 gpf (6 lpf) flow rate. Valve includes four 1.5 V AA batteries. Product shall be Kohler Model K-_____-CP.

Installation Notes

Install this product according to the installation guide.



Product Diagram