

ARCH 1230
BUILDING TECHNOLOGY II

Professor Friedman
Fall 2012



SUBJECT

sitecast concrete framing systems

chapter 14

DATE

Fall 2012

PROFESSOR

Friedman



sitecast concrete

professor Friedman

ARCH 1230



SITECAST CONCRETE

Professor Friedman

ARCH 1230



SITECAST CONCRETE

Professor Friedman

ARCH 1230

this week

objective:

understand the characteristics of sitecast concrete framing systems and the optional approaches available

- * slab on grade
- * concrete walls + columns
- * one-way floor/roof framing systems
- * two-way floor/roof framing systems
- * concrete stairs
- * Post-tensioned framing systems
- * selecting a sitecast concrete framing system





SLAB ON GRADE

Professor Friedman

excavation and compaction

ARCH 1230



SLAB ON GRADE

Professor Friedman

formwork

arch 1230



SLAB ON GRADE

Professor Friedman

formwork

arch 1230



SLAB ON GRADE

Professor Friedman

installing the reinforcement

arch 1230



TYPICAL DESIGNATION:

6 X 6-W1.4 X W1.4:

6" SPACING IN EACH
DIRECTION

0.135" WIRE DIAMETER



SLAB ON GRADE

Professor Friedman

welded wire reinforcement

arch 1230



REINFORCEMENT OF
SLABS TO PROTECT
AGAINST CRACKING
CAUSED BY:

- CONCRETE SHRINKAGE
- TEMPERATURE STRESSES
- CONCENTRATED LOADS
- FROST HEAVING
- SETTLEMENT

SLAB ON GRADE

Professor Friedman

role of reinforcement

arch 1230

PLACEMENT OF REINFORCEMENT IN THE SLAB:

LOCATED IN BEST POSITION TO RESIST TENSILE FORCES (DEPENDS ON DESIGN)

TOWARDS BOTTOM FOR FOOTINGS

TOWARDS MIDDLE OF TYPICAL SLAB ON GRADE

MUST MAINTAIN MINIMAL COVER



SLAB ON GRADE

Professor Friedman

placement of reinforcement

arch 1230

PLACEMENT OF REINFORCEMENT IN THE SLAB:

- REINFORCEMENT CAN BE PLACED ON CHAIRS OR BOLSTERS
- WELDED WIRE MESH - OFTEN PLACED ON GROUND AND LIFTED INTO POSITION DURING THE POUR



SLAB ON GRADE

Professor Friedman

placement of reinforcement

arch 1230



CONCRETE

Professor Friedman

positioning / supporting the reinforcement

Arch 1230



SLAB ON GRADE

Professor Friedman

placement of concrete

arch 1230



SITE CAST CONCRETE

Professor Friedman

cylinder test samples + slump test

arch 1230

builderbill



COMPRESSED AIR VIBRATES THE CONCRETE TO ELIMINATE AIR POCKETS

SLAB ON GRADE

Professor Friedman

consolidating the concrete

arch 1230



SLAB ON GRADE

Professor Friedman

screeding and floating the slab

arch 1230



SLAB ON GRADE

Professor Friedman

finishing the slab

arch 1230



SLAB ON GRADE

Professor Friedman

curing under controlled conditions

arch 1230

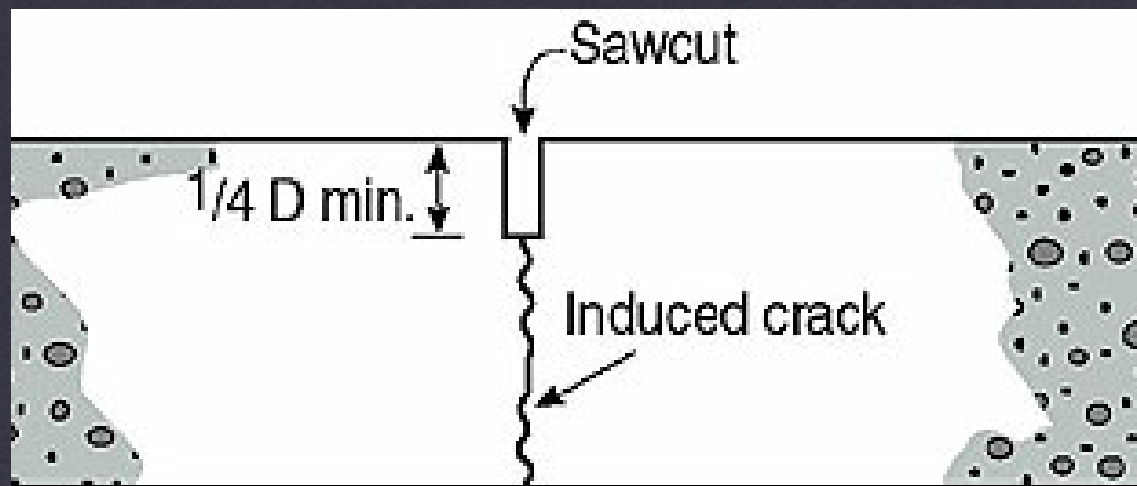


SLAB ON GRADE

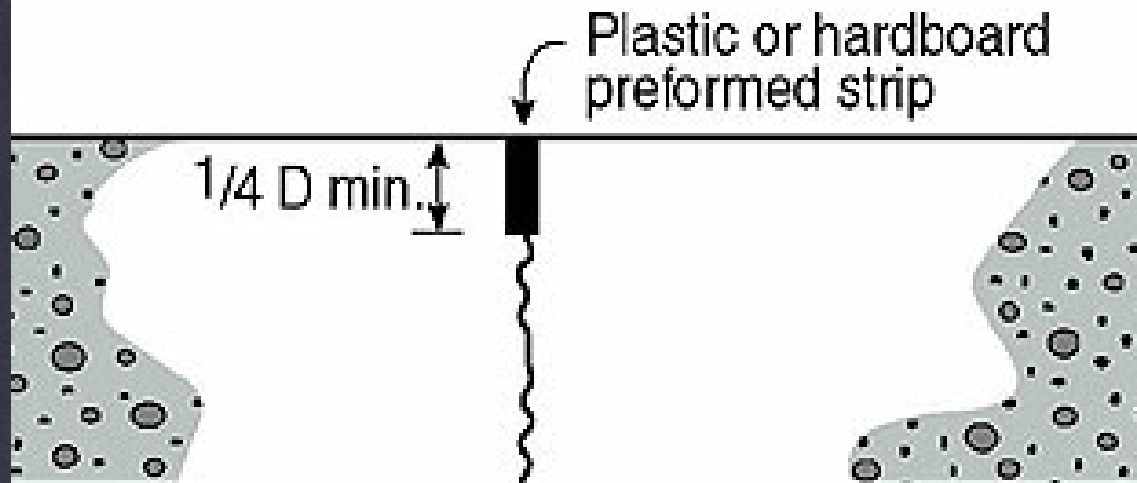
Professor Friedman

control joints

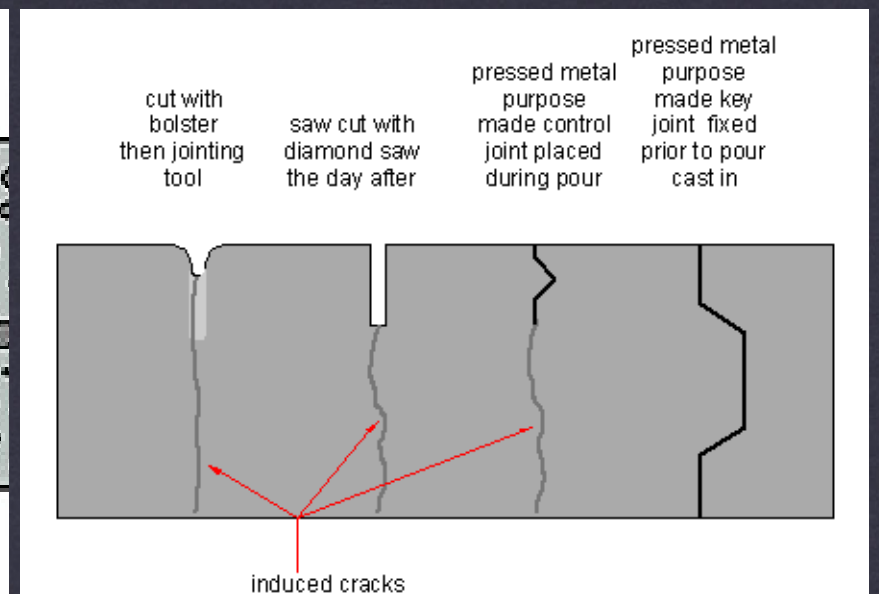
arch 1230



Sawed contraction joint



Premolded insert contraction joint



CONTROL JOINTS:

INTENTIONALLY WEAKENED SECTIONS THROUGH A CONCRETE SLAB

RELIEVE STRESSES WITHOUT DISFIGURING THE SLAB

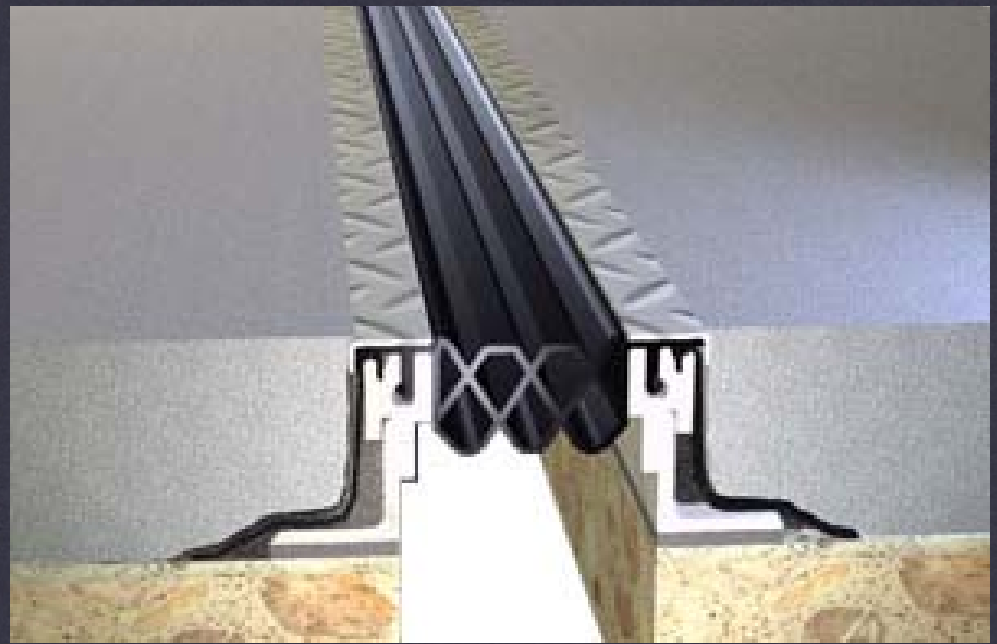
TYP. SPACING: 11'-6" TO 17'-6"
DIVIDE INTO SQUARE PANELS

SLAB ON GRADE

Professor Friedman

control joints

arch 1230



SLAB ON GRADE

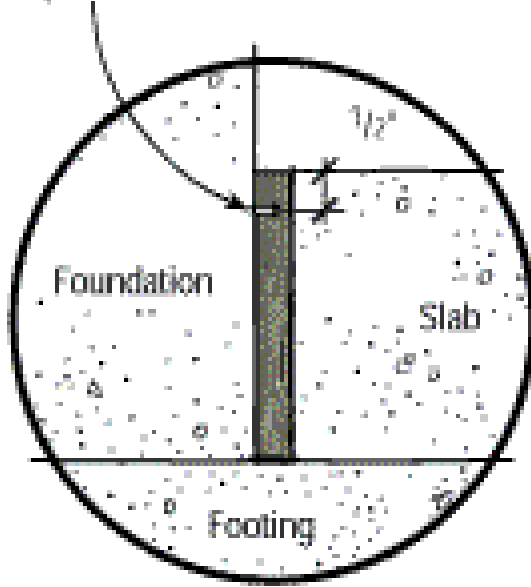
Professor Friedman

isolation / expansion joints

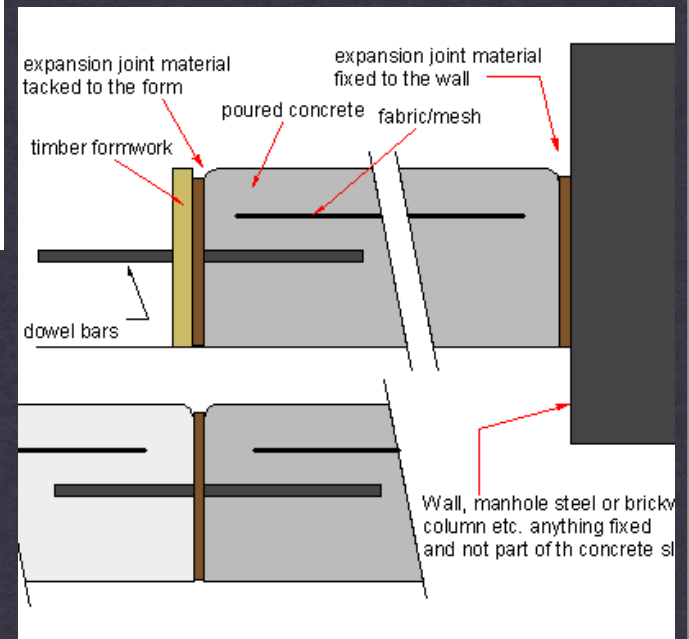
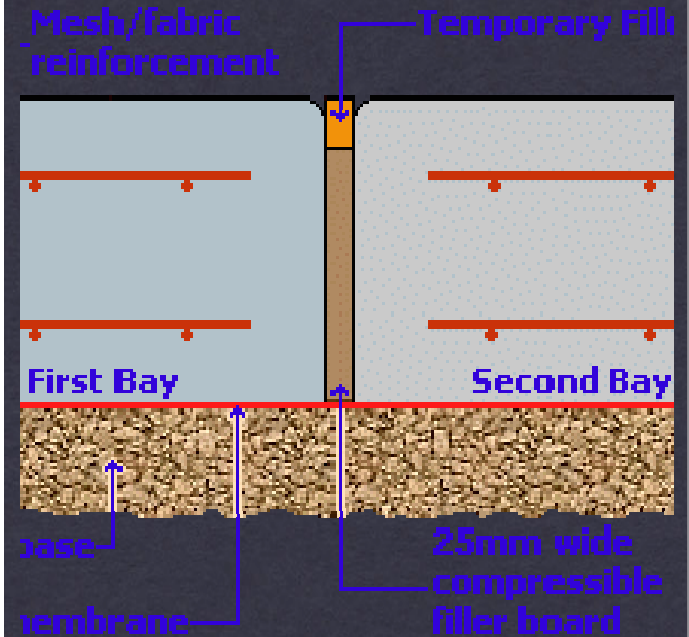
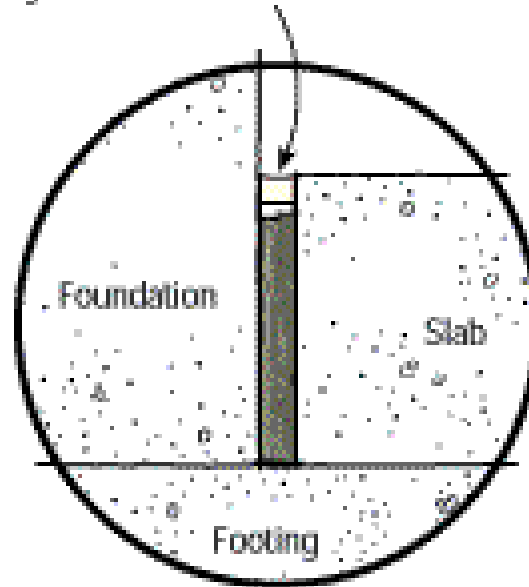
arch 1230

Finished Expansion Joint

A. Fiberboard expansion joint, scored prior to installation



B. Remove scored fiberboard, finish joint with sealant



EXPANSION JOINTS:

FULL DEPTH SEPARATION OF SLAB PANELS

PANELS CAN MOVE INDEPENDENTLY

TYP: 3/8" TO 3/4" WIDE

SLAB ON GRADE

Professor Friedman

isolation / expansion joints

arch 1230



REDUCING CRACKING DUE TO SHRINKAGE:

- CHEMICAL ADMIXTURES
- SUPPLEMENTARY MATERIALS ADDED TO MIX (FLY ASH)
- LOWER WATER-CEMENT RATIO
- ADDITIONAL REINFORCING
- DAMP CURE PROCESS
- POST TENSIONING

SLAB ON GRADE

methods to reduce shrinkage cracking



CAST IN PLACE WALL

Professor Friedman

formwork for footings

arch 1230

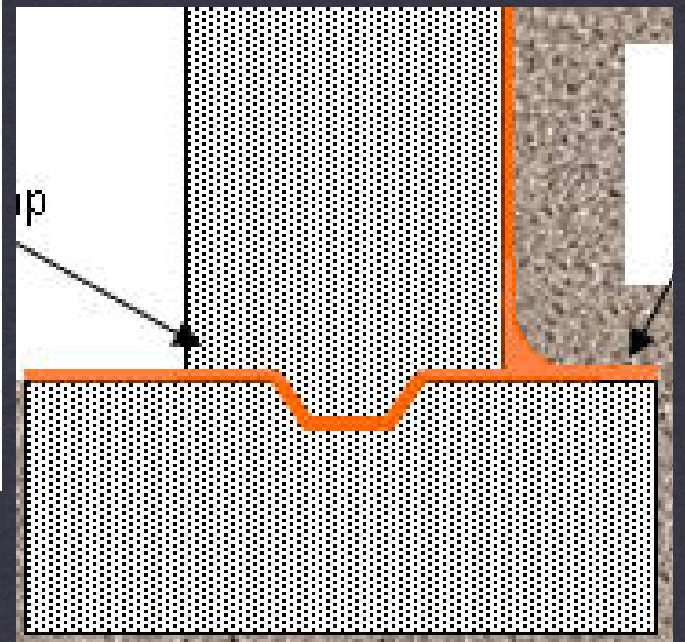
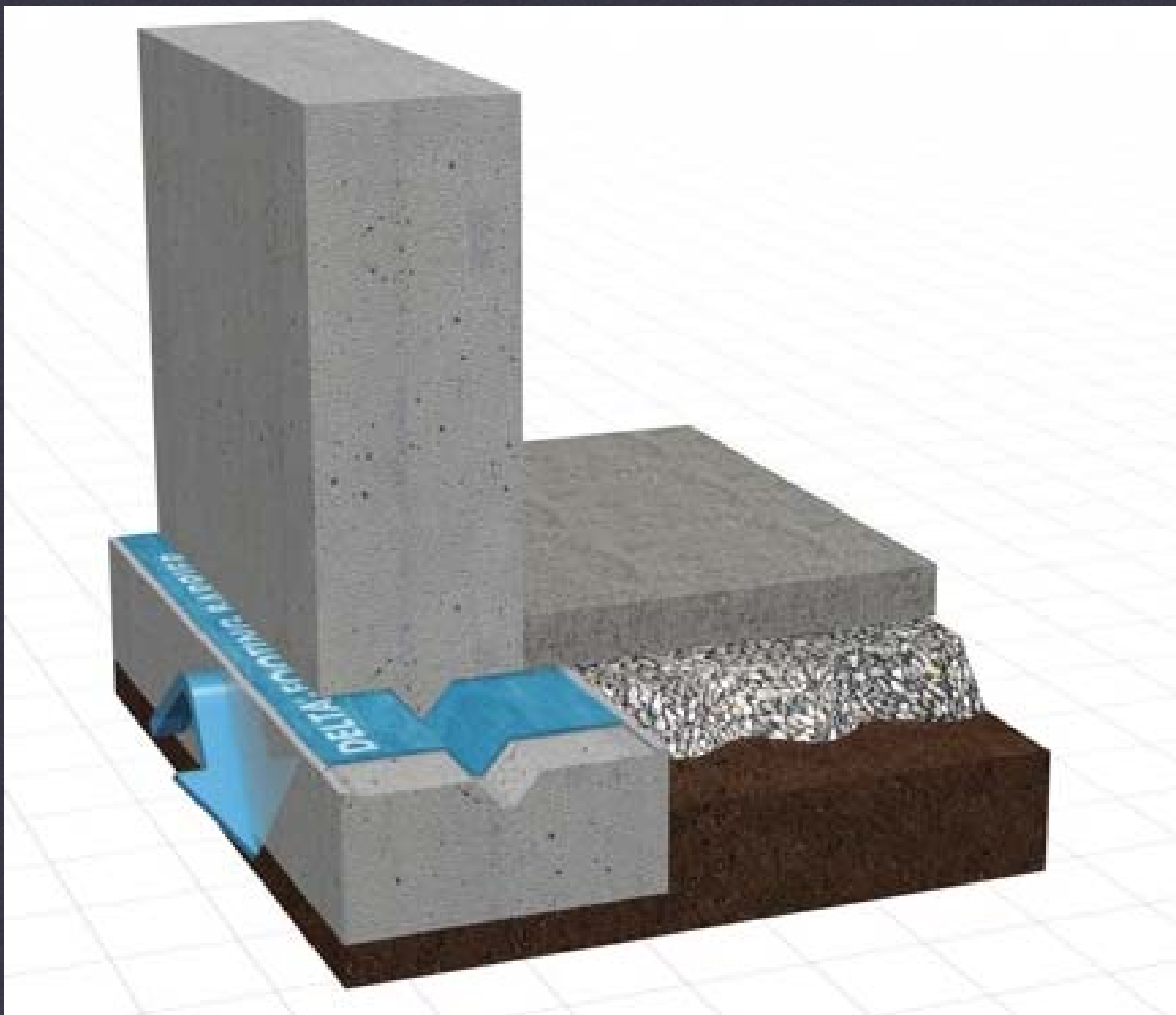


CAST IN PLACE WALL

Professor Friedman

footing w/ dowels and key

arch 1230



KEY PROVIDES mechanical CONNECTION

CAST IN PLACE WALL

Professor Friedman

key at footing/wall joint

arch 1230



DOWEL PROVIDES CONTINUITY FOR REINFORCING

CAST IN PLACE WALL

Professor Friedman

dowel reinforcing bars

arch 1230



CAST IN PLACE WALL

Professor Friedman

formwork for walls

arch 1230

QuickTime™ and a
decompressor
are needed to see this picture.

CAST IN PLACE WALL

Professor Friedman

formwork for walls

arch 1230

QuickTime™ and a
H.264 decompressor
are needed to see this picture.

CAST IN PLACE WALL

Professor Friedman

placing the reinforcement

arch 1230

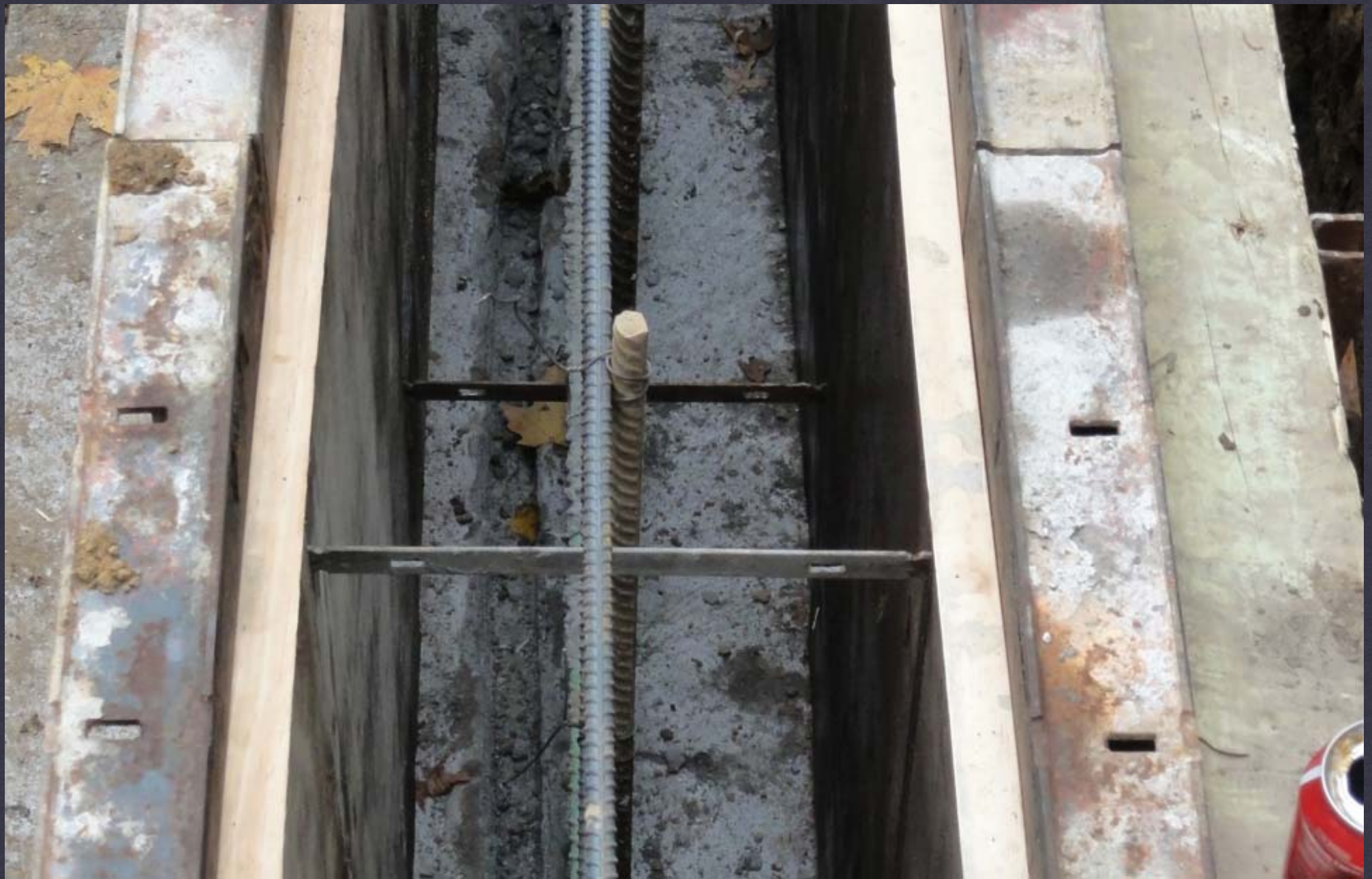


CAST IN PLACE WALL

Professor Friedman

formwork for walls

arch 1230



CAST IN PLACE WALL

Professor Friedman

formwork w/ rebar in place

arch 1230



CAST IN PLACE WALL

Professor Friedman

formwork w/ rebar in place

arch 1230



CONCRETE

Professor Friedman

formwork

Arch 1230



CONCRETE

Professor Friedman

formwork

Arch 1230



CONCRETE

Professor Friedman

formwork

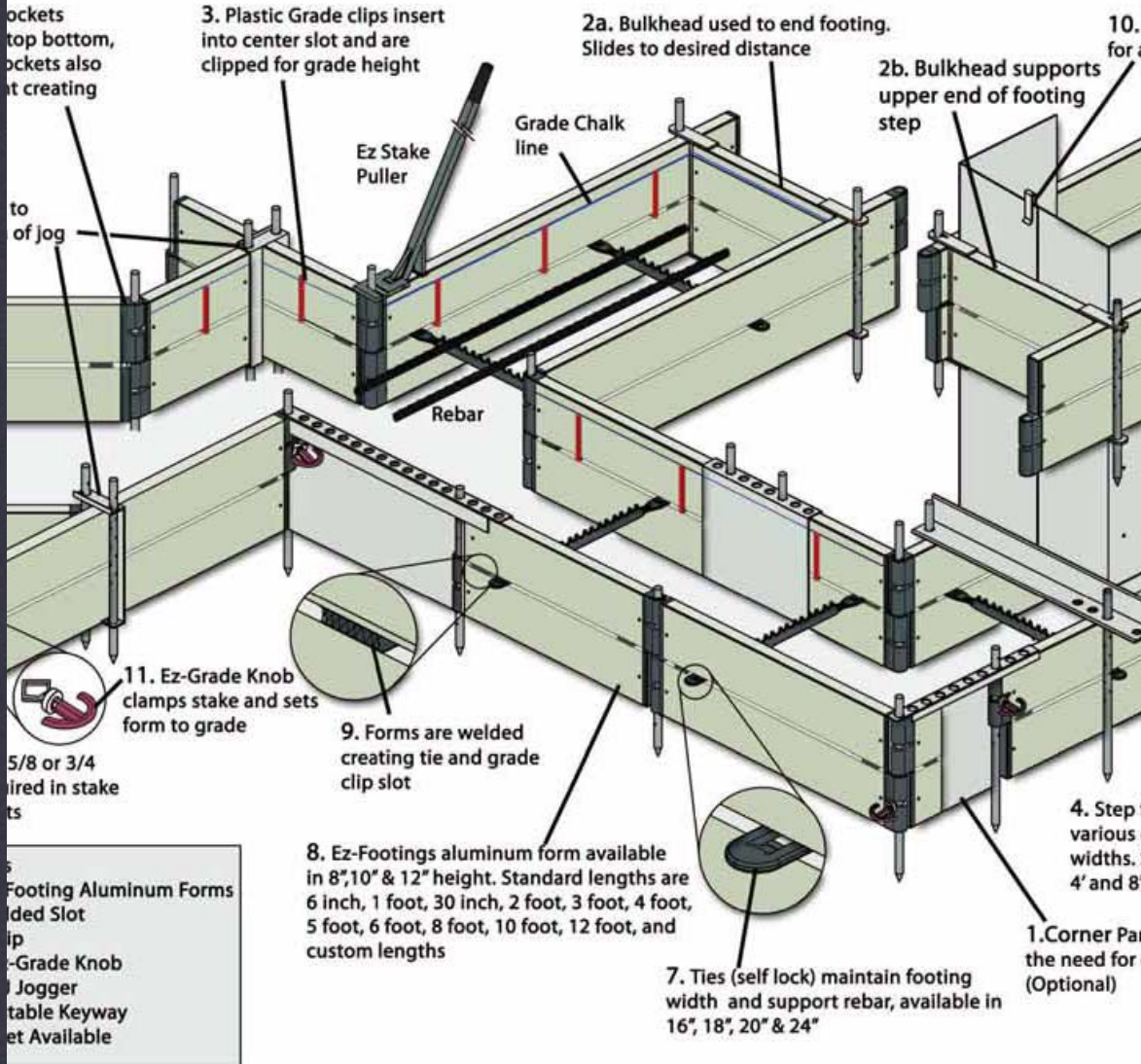
Arch 1230

de on how to use Ez-FOOTINGS Aluminum Forms

0.6992
OTINGS.com

Concrete Forms Se

Ez-Footings Ez-Tilt-Up



CONCRETE
Professor Friedman

formwork
Arch 1230

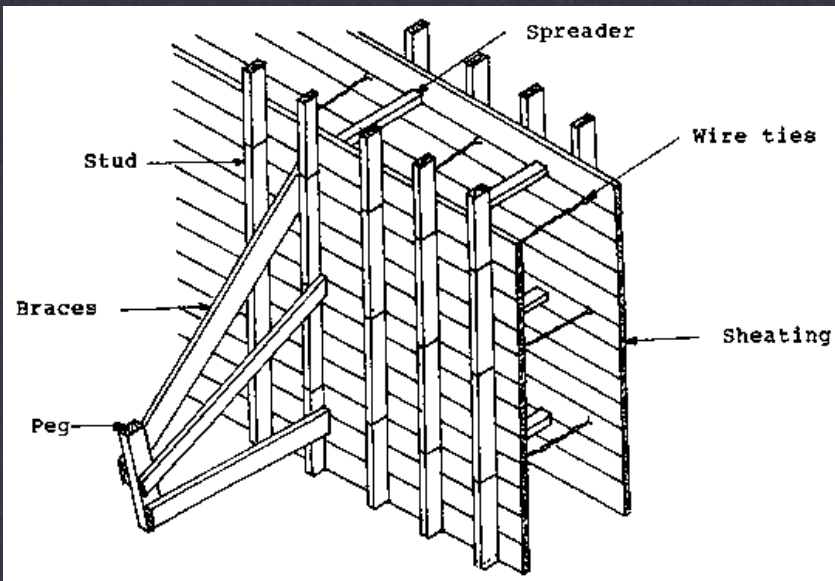


CONCRETE

Professor Friedman

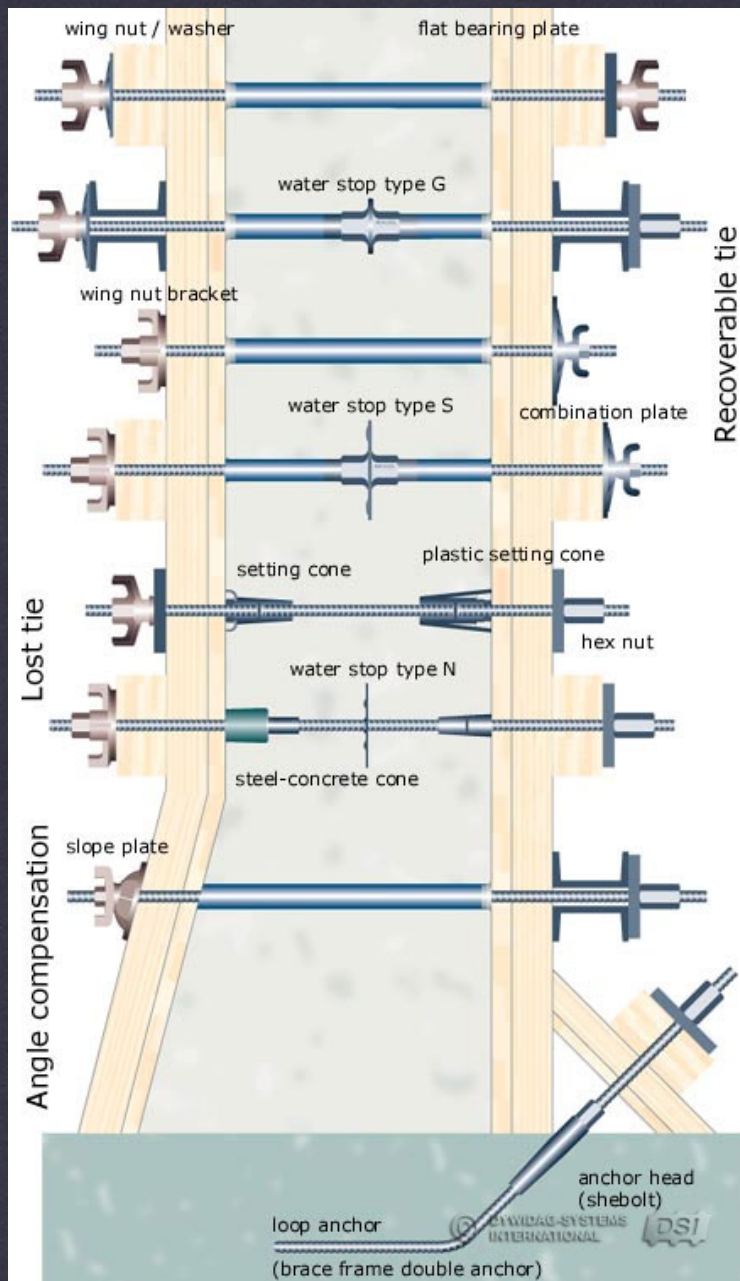
Formwork

Arch 1230



CONCRETE
Professor Friedman

Formwork
Arch 1230

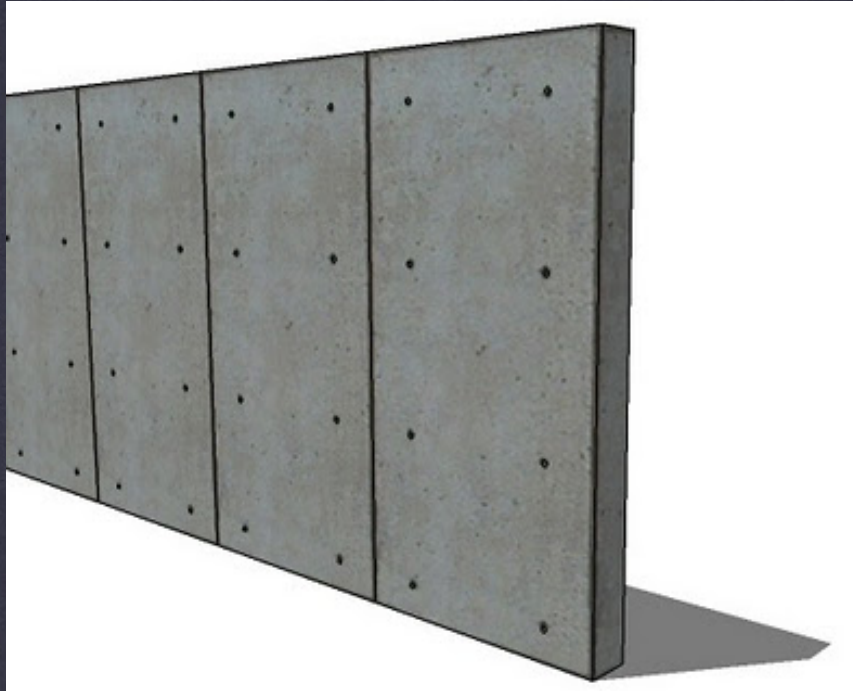


CAST IN PLACE WALL

Professor Friedman

Form Ties

arch 1230



CAST IN PLACE WALL

Professor Friedman

Form Ties Exposed

arch 1230



CAST IN PLACE WALL

Professor Friedman

Form Ties Exposed

arch 1230



CAST IN PLACE WALL

Professor Friedman

Form Ties Exposed

arch 1230



CAST IN PLACE WALL

Professor Friedman



Form Ties Exposed

arch 1230

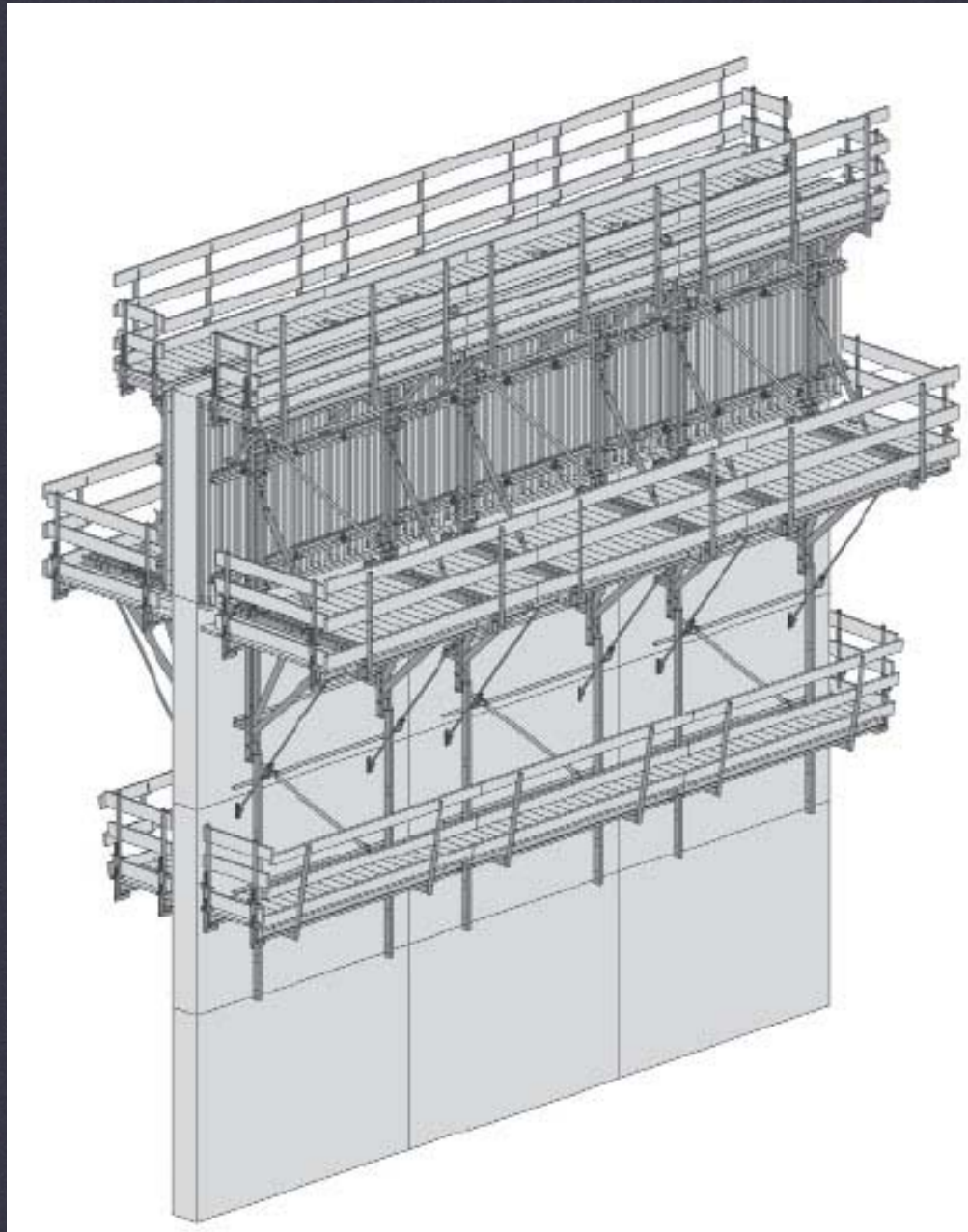


CAST IN PLACE WALL

Professor Friedman

bracing formwork for walls

arch 1230



CAST IN PLACE WALL

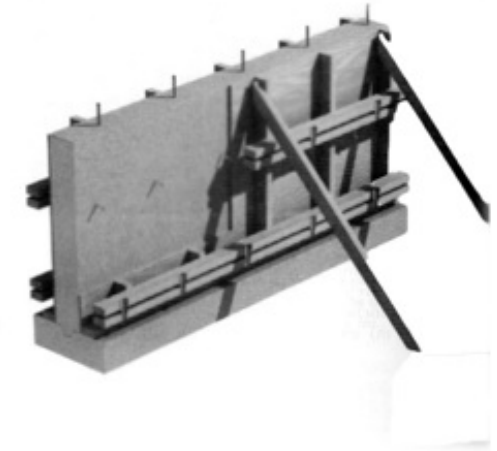
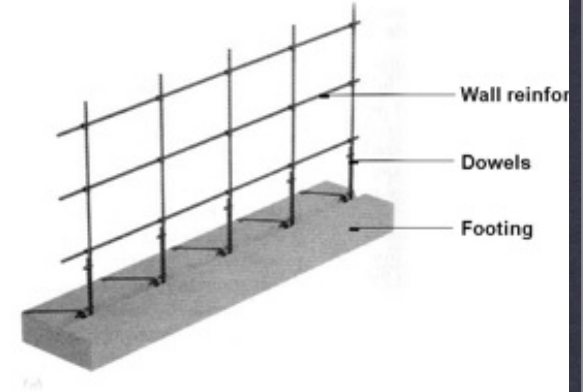
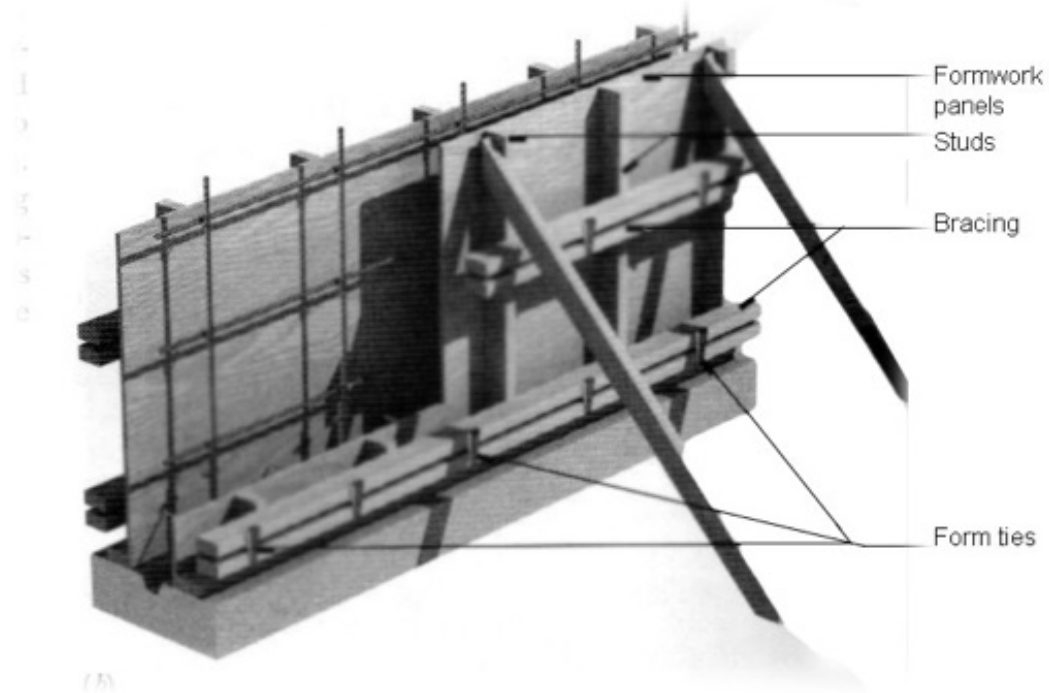
Professor Friedman



Climbing Formwork for Skyscrapers

arch 1230

REINFORCING → FORMWORK → POUR



[Concrete Formwork and Reinforcing video](#)

CAST IN PLACE WALL

Professor Friedman

sequence of construction

arch 1230



New Concrete wall April 2005

WALL REINFORCEMENT EXTENDS TO TIE TO
NEXT STAGE OF CONSTRUCTION

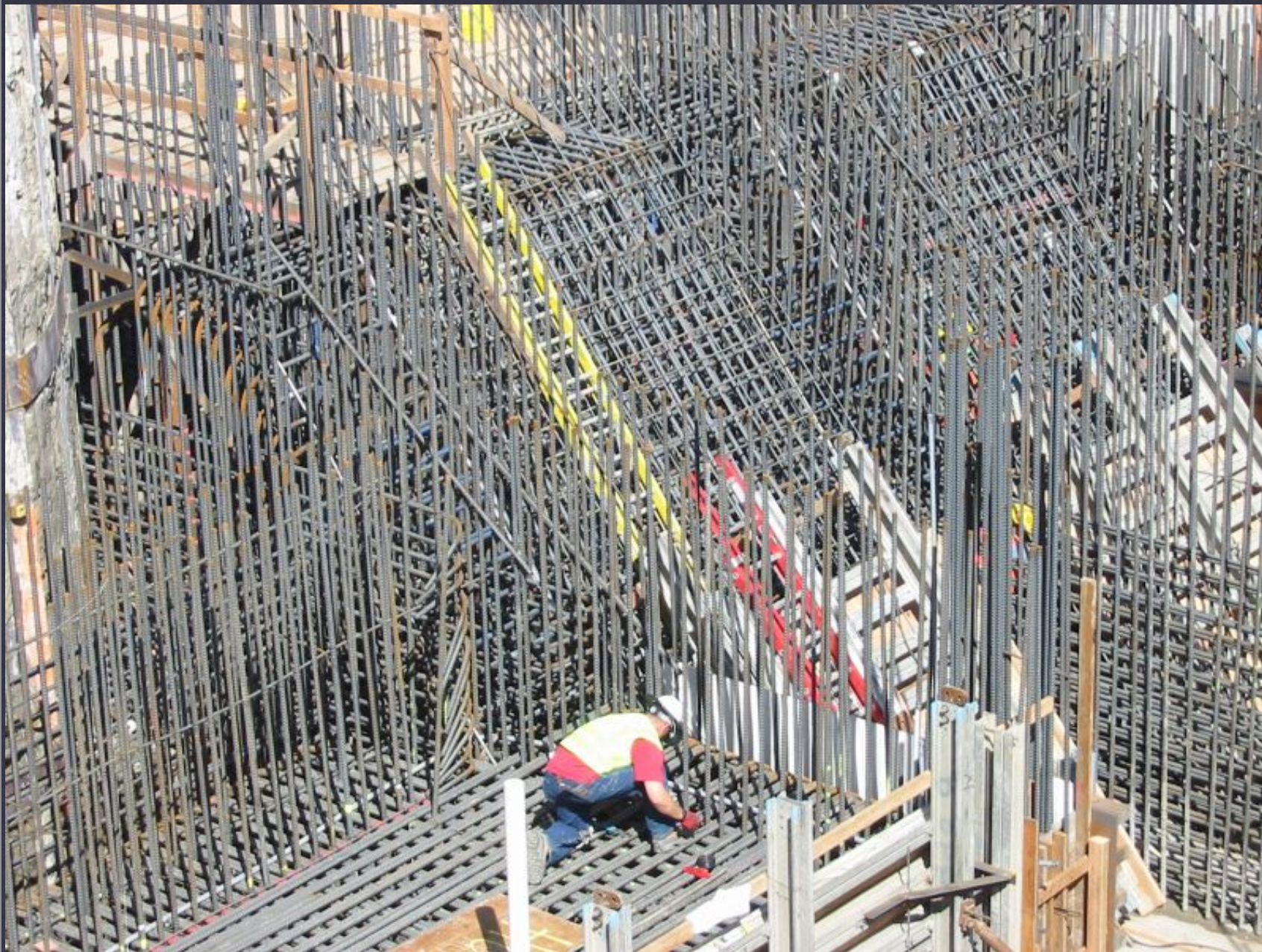


CAST IN PLACE WALL

Professor Friedman

sequence of construction

arch 1230



CAST IN PLACE WALL

Professor Friedman

sequence of construction

arch 1230



FOOTING IS USUALLY ISOLATED FOR EACH COLUMN. REINFORCING IS OFTEN PREASSEMBLED AND TIED TO DOWELS

CAST IN PLACE COLUMN

Professor Friedman



column footing + reinforcing

arch 1230



CAST IN PLACE WALL

Professor Friedman

sequence of construction

arch 1230



REINFORCING IN COLUMNS PROVIDES BOTH COMPRESSIVE AND TENSILE FORCE RESISTANCE TO THE CONCRETE, ALLOWING COLUMN DIMENSION TO BE REDUCED.



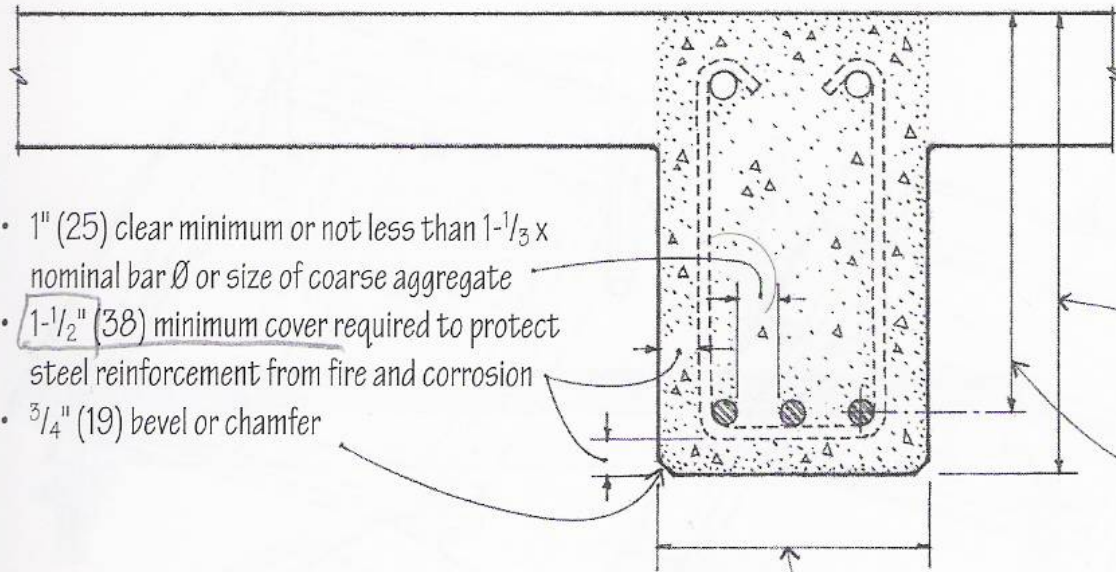
CAST IN PLACE COLUMN

Professor Friedman

column shape and size

arch 1230

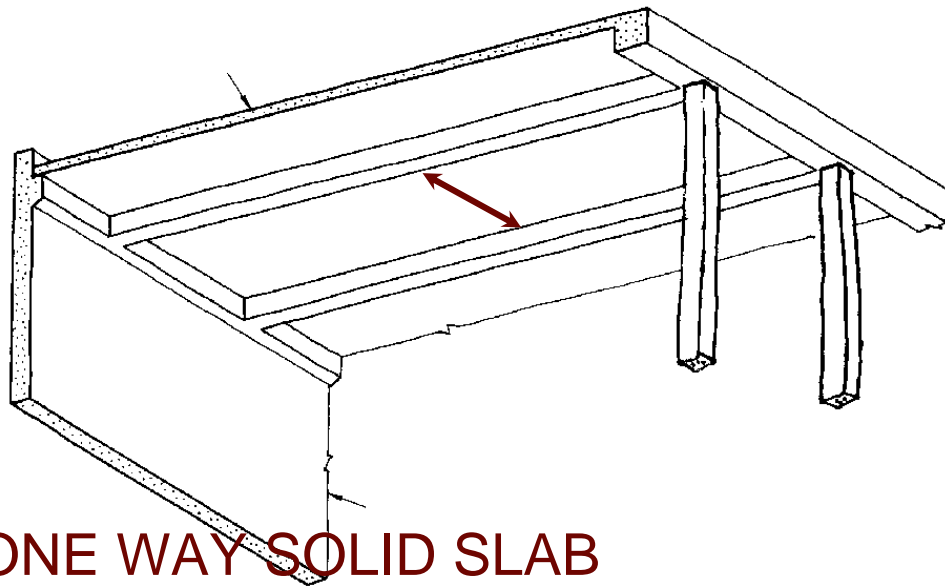
4.04 CONCRETE BEAMS



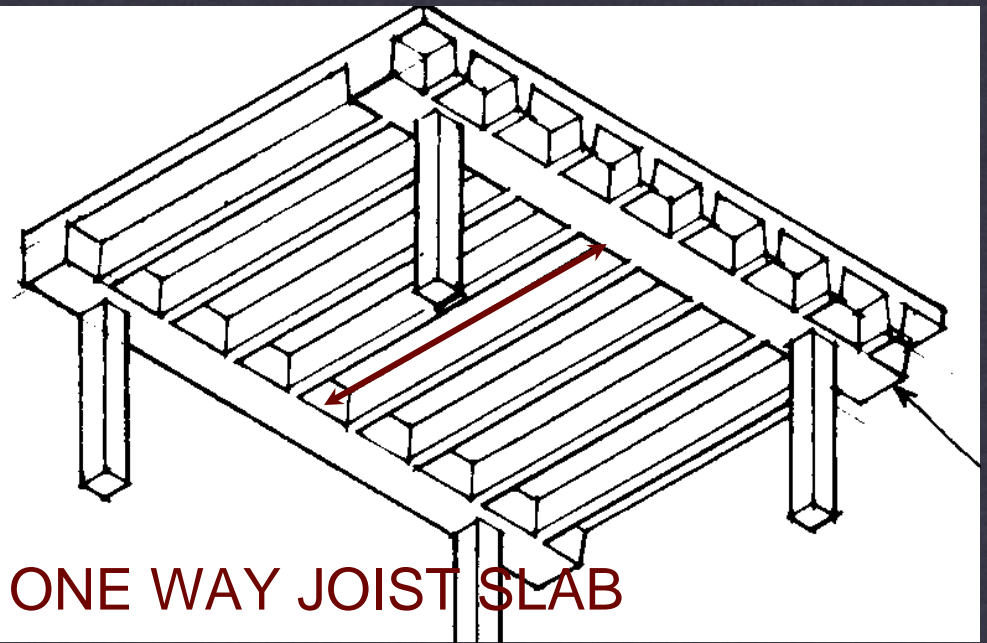
- 1" (25) clear minimum or not less than $1\frac{1}{3}$ x nominal bar \varnothing or size of coarse aggregate
- $1\frac{1}{2}$ " (38) minimum cover required to protect steel reinforcement from fire and corrosion
- $\frac{3}{4}$ " (19) bevel or chamfer
- Reinforcing bars extend into and down column support for structural continuity and to develop the required embedment length for anchorage.

Reinforced concrete beams are designed to act together with longitudinal and web reinforcement in resisting applied forces. Cast-in-place concrete beams are almost always formed and placed along with the slab they support. Because a portion of the slab acts as an integral part of the beam, the depth of the beam is measured to the top of the slab.

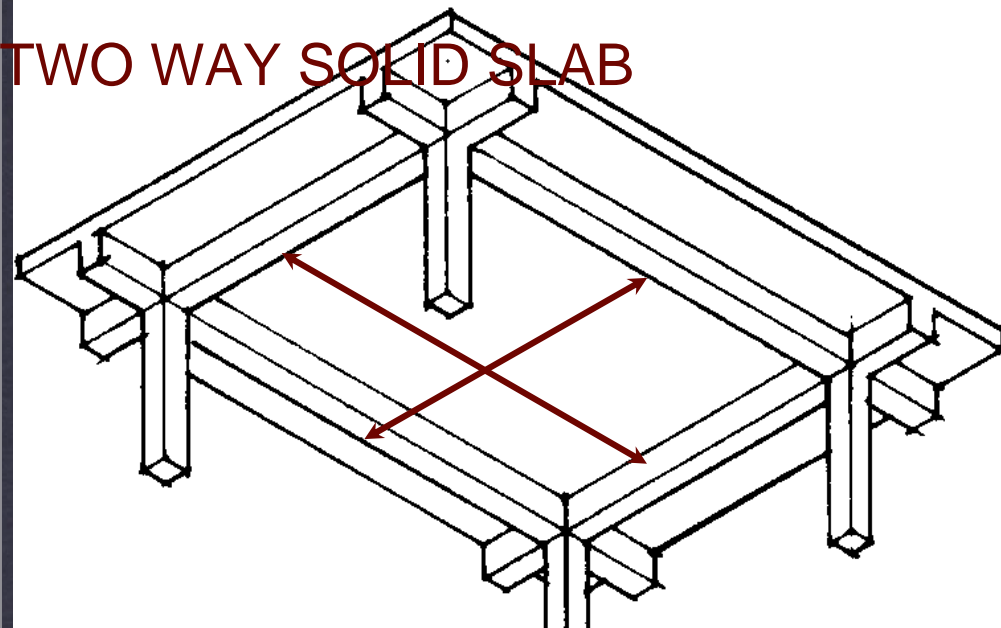
- Beam depth in 2" (51) increments
- Rule of thumb for estimating depth of a concrete beam: $\text{span}/16$ *
- Effective depth is measured from the compression face to the centroid of tension reinforcement.
- Beam width is $\frac{1}{3}$ to $\frac{1}{2}$ of beam depth in 2" or 3" (50 or 75) multiples.
- Beam width should be equal to or greater than width of supporting column.
- Whenever possible, vary required steel reinforcement rather than beam size.



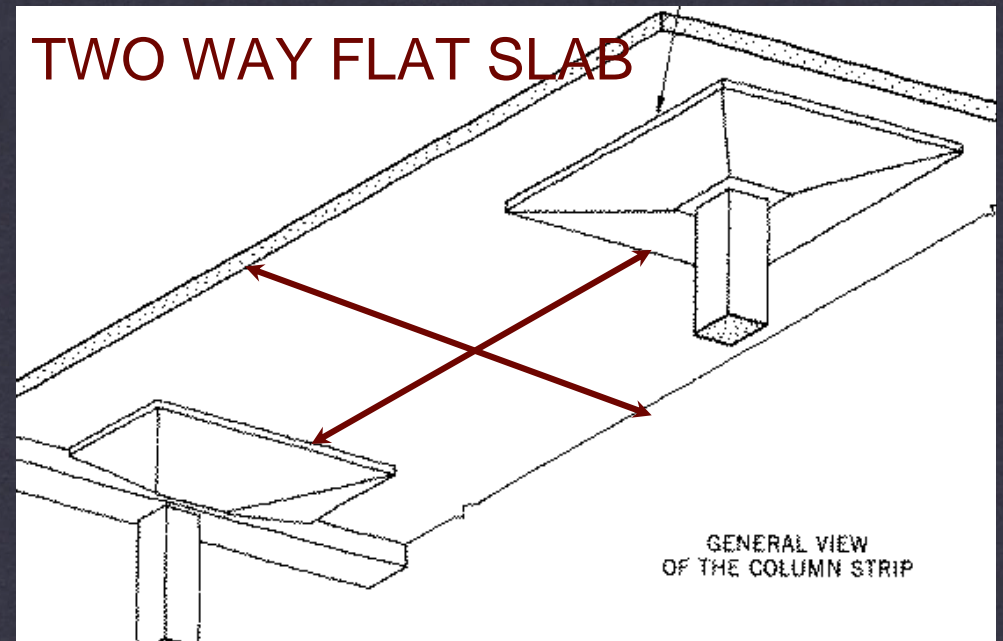
ONE WAY SOLID SLAB



ONE WAY JOIST SLAB



TWO WAY SOLID SLAB



GENERAL VIEW
OF THE COLUMN STRIP

CONCRETE FRAMING SYSTEMS

one-way and two-way

Professor Friedman

arch 1230

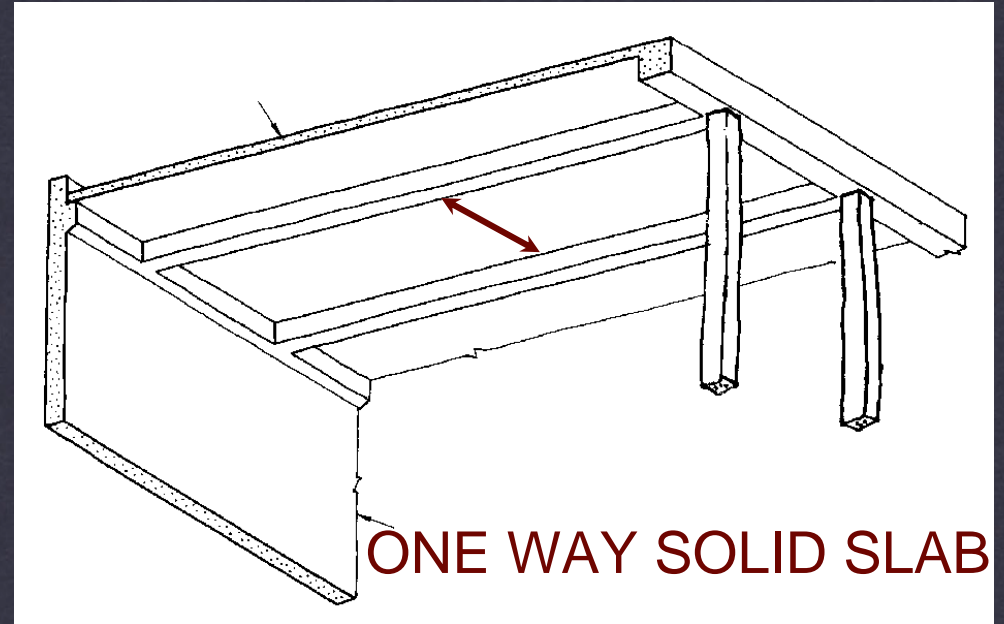
ONE-WAY SOLID SLAB:

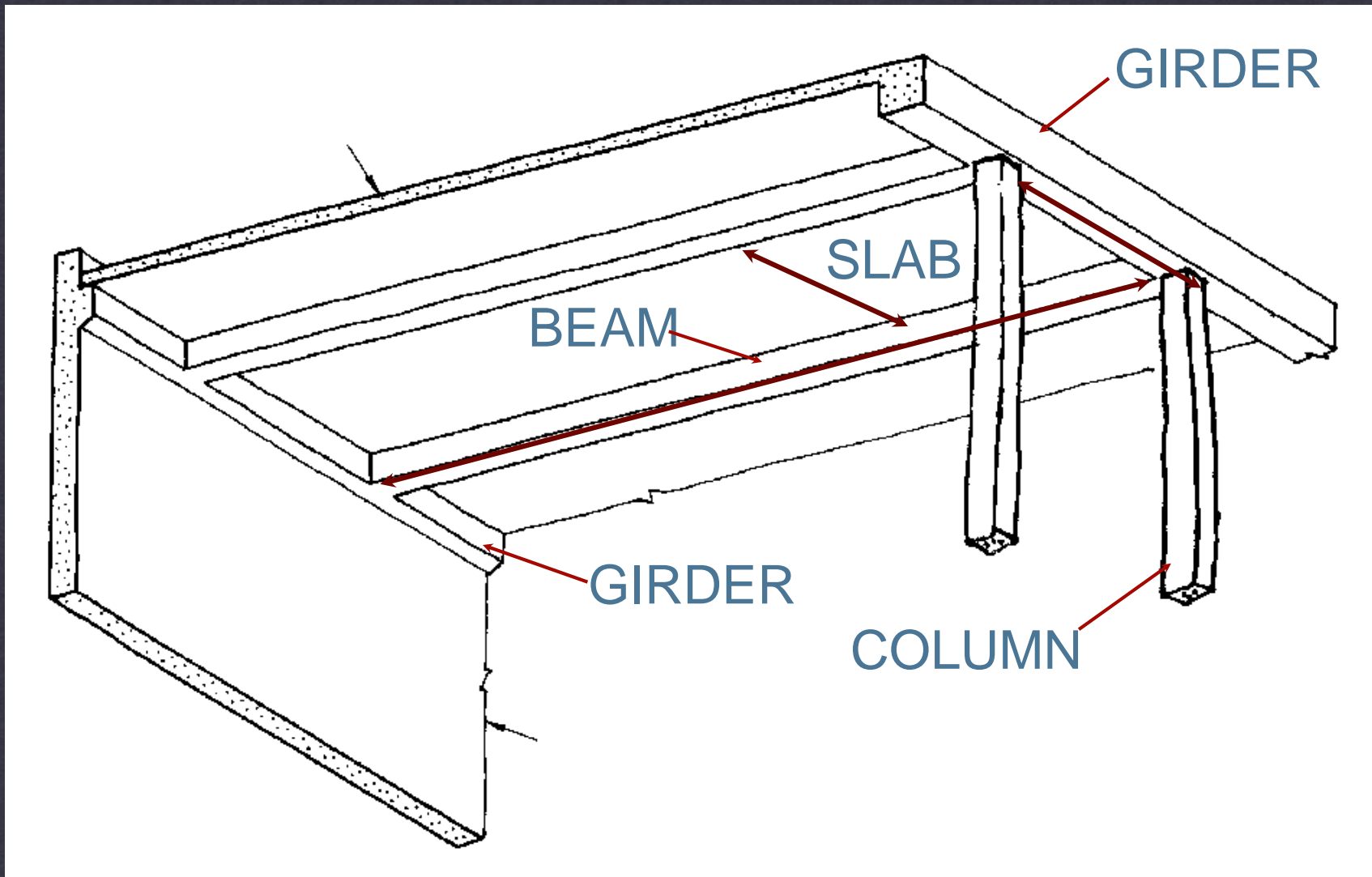
WALLS AND COLUMNS TO SUPPORT SLAB ARE ERECTED FIRST

GIRDERS AND BEAMS ARE USUALLY POURED SIMULTANEOUSLY WITH THE SLAB TO FORM ONE CONTINUOUS STRUCTURAL UNIT

THE FORMWORK MUST BE SUPPORTED UNTIL THE CONCRETE CURES AND ACQUIRES ITS STRUCTURAL STRENGTH

THE CONCRETE IS SHORED AFTER REMOVING THE FORMWORK UNTIL IT REACHES FULL STRENGTH





TYPICAL SLAB THICKNESS: 4" - 10"

CONCRETE FRAMING SYSTEMS

Professor Friedman

one-way framing

arch 1230



CONCRETE FRAMING SYSTEMS

Professor Friedman

one-way framing

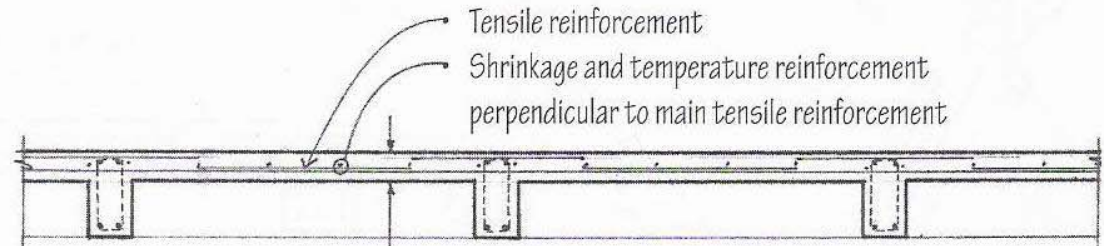
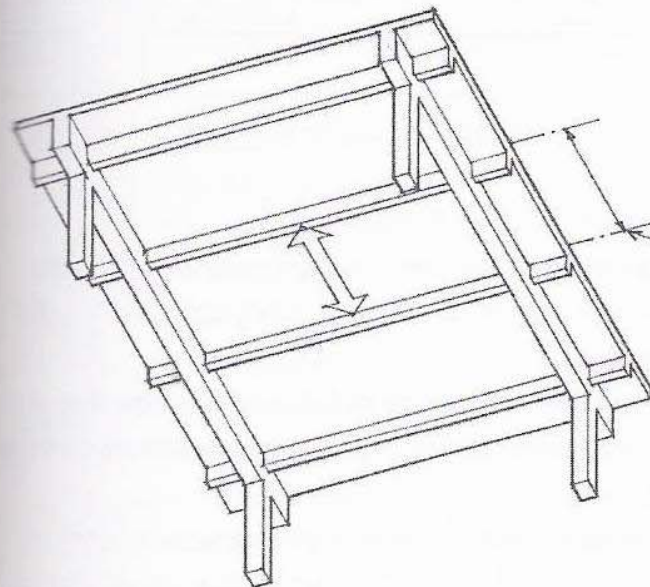
arch 1230

Concrete slabs are plate structures that are reinforced to span either one or both directions of a structural bay. Consult a structural engineer and the building code for the required size, spacing, and placement of all reinforcement.

One-Way Slab

A one-way slab is uniformly thick, reinforced in one direction, and cast integrally with parallel supporting beams.

CSI 03200 Concrete Reinforcement
 CSI 03300 Cast-in-Place Concrete
 CSI 03310 Structural Concrete



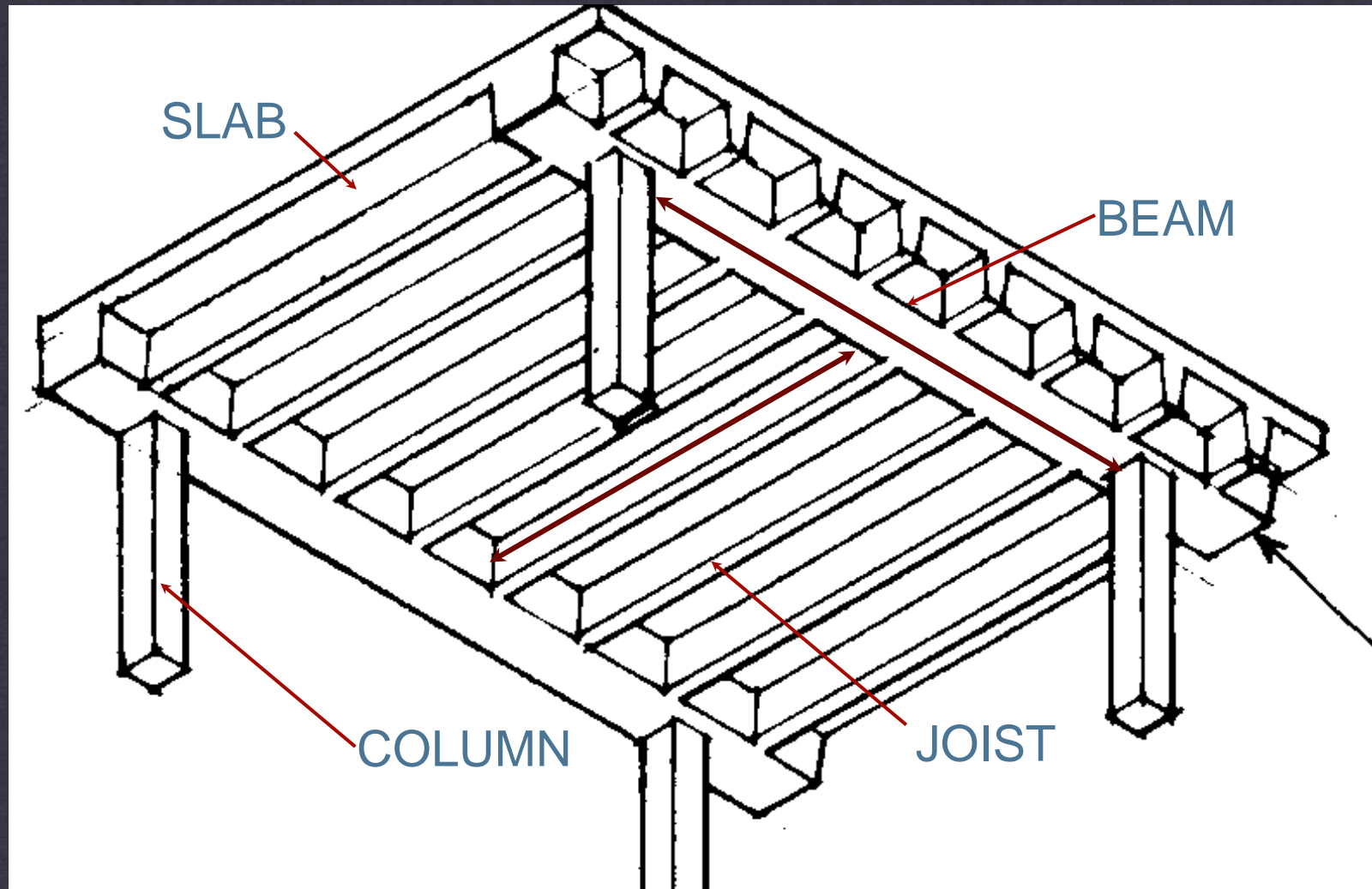
Rule of thumb for estimating thickness:

* $\frac{\text{span}}{30}$ for floor slabs; 4" (100) minimum
 $\frac{\text{span}}{36}$ for roof slabs

- Suitable for light to moderate loads over relatively short spans of 6' to 18' (1830 to 5490)
- Slab is supported on two sides by beams or loadbearing walls; beams, in turn, may be supported by girders or columns.

THK $\rightarrow \frac{L}{30}$

6' \rightarrow 18' SPANS



REQUIRED FOR LONGER SPANS WHERE SLAB THICKNESS IN ONE-WAY SYSTEM BECOMES PROHIBITIVE. SLAB BECOMES "RIBBED" SLAB. MORE EFFICIENT THAN ONE-WAY SOLID SLAB FRAMING

CONCRETE FRAMING SYSTEMS

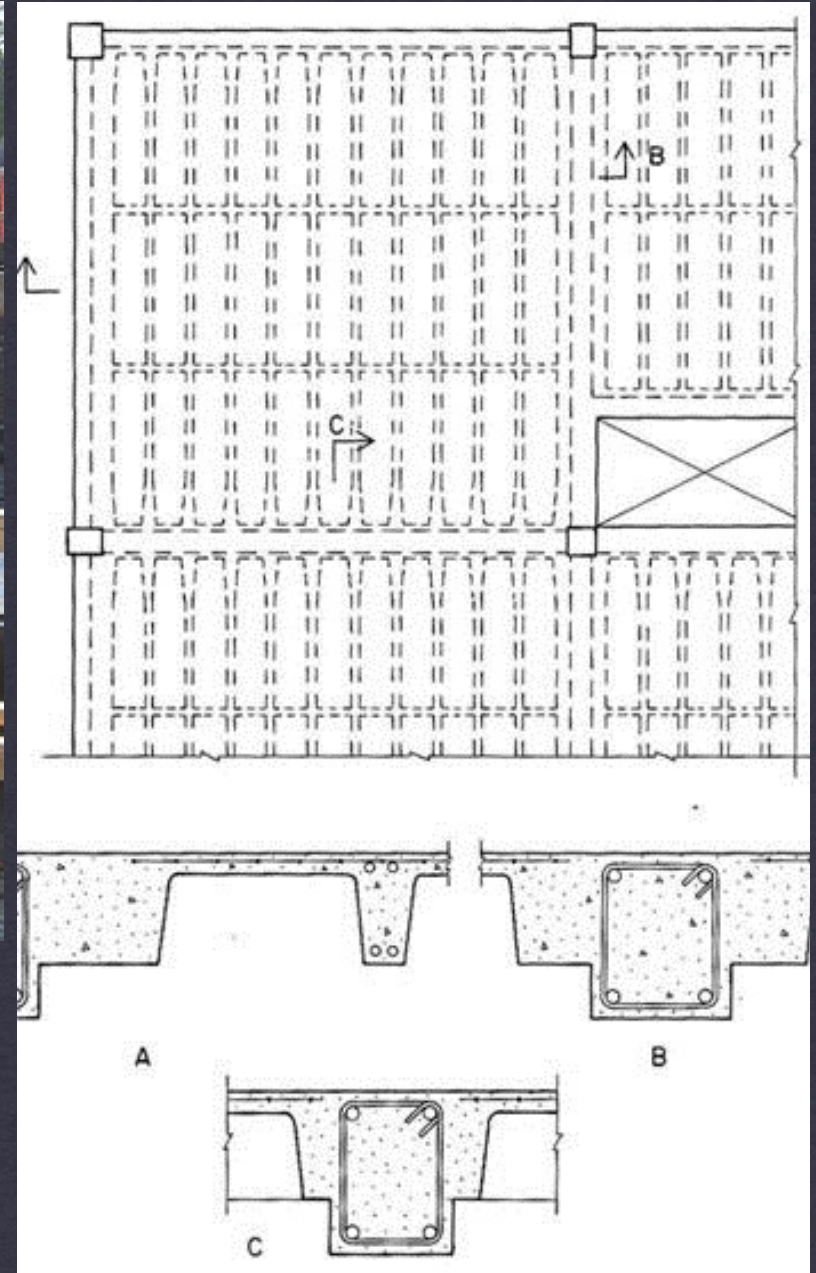
Professor Friedman

one-way joist framing

arch 1230



PAN FORMS DEFINE THE JOIST WIDTH AND DEPTH AS WELL AS THE BEAM DIMENSIONS. TYPICAL SPACING OF JOISTS: 20"-30" BETWEEN JOISTS



CONCRETE FRAMING SYSTEMS

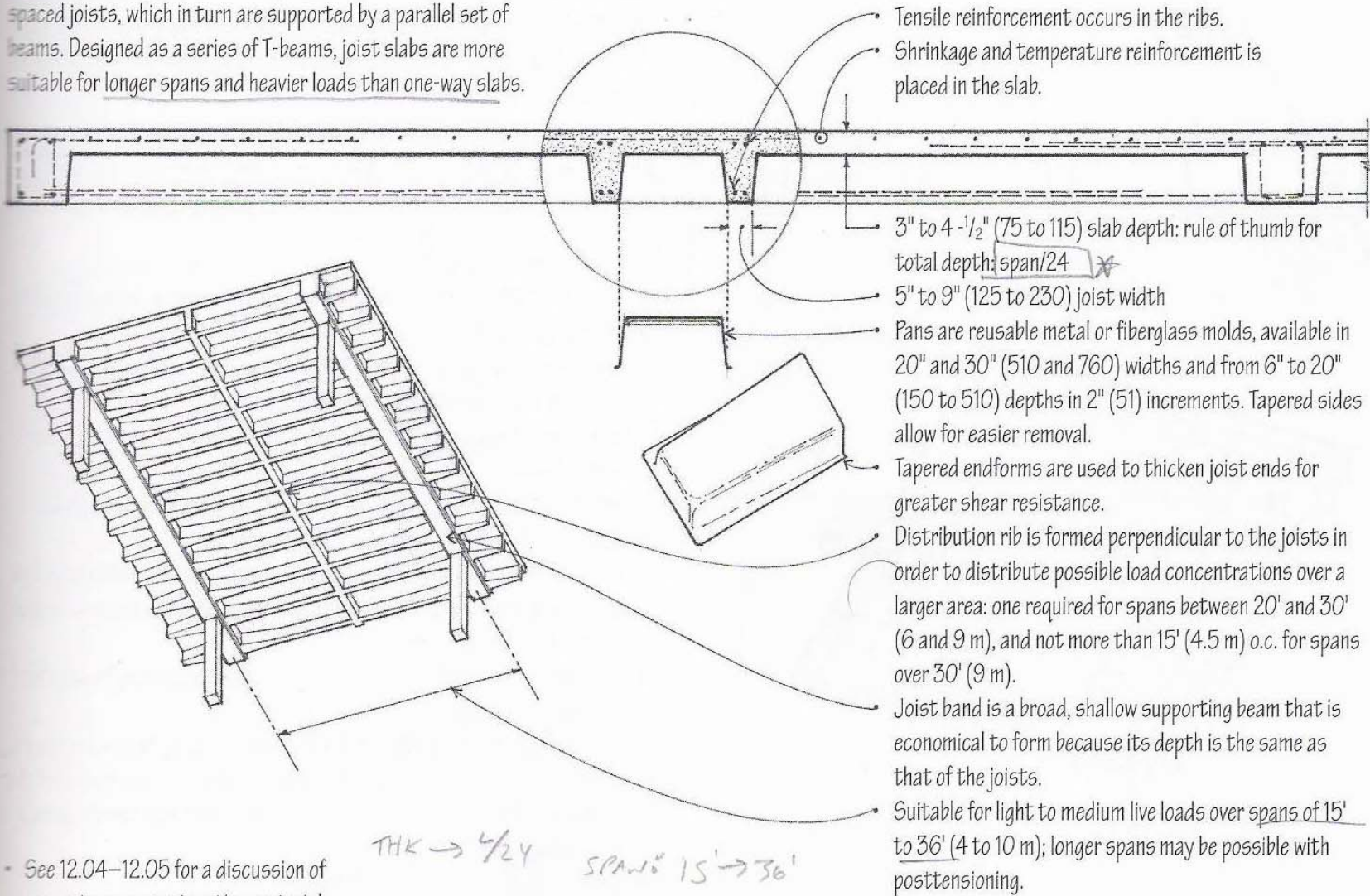
Professor Friedman

one-way joist framing

arch 1230

One-Way Joist Slab

A joist or ribbed slab is cast integrally with a series of closely spaced joists, which in turn are supported by a parallel set of beams. Designed as a series of T-beams, joist slabs are more suitable for longer spans and heavier loads than one-way slabs.



Tensile reinforcement occurs in the ribs.

Shrinkage and temperature reinforcement is placed in the slab.

3" to 4 - 1/2" (75 to 115) slab depth: rule of thumb for total depth: $\text{span}/24$

5" to 9" (125 to 230) joist width

Pans are reusable metal or fiberglass molds, available in 20" and 30" (510 and 760) widths and from 6" to 20" (150 to 510) depths in 2" (51) increments. Tapered sides allow for easier removal.

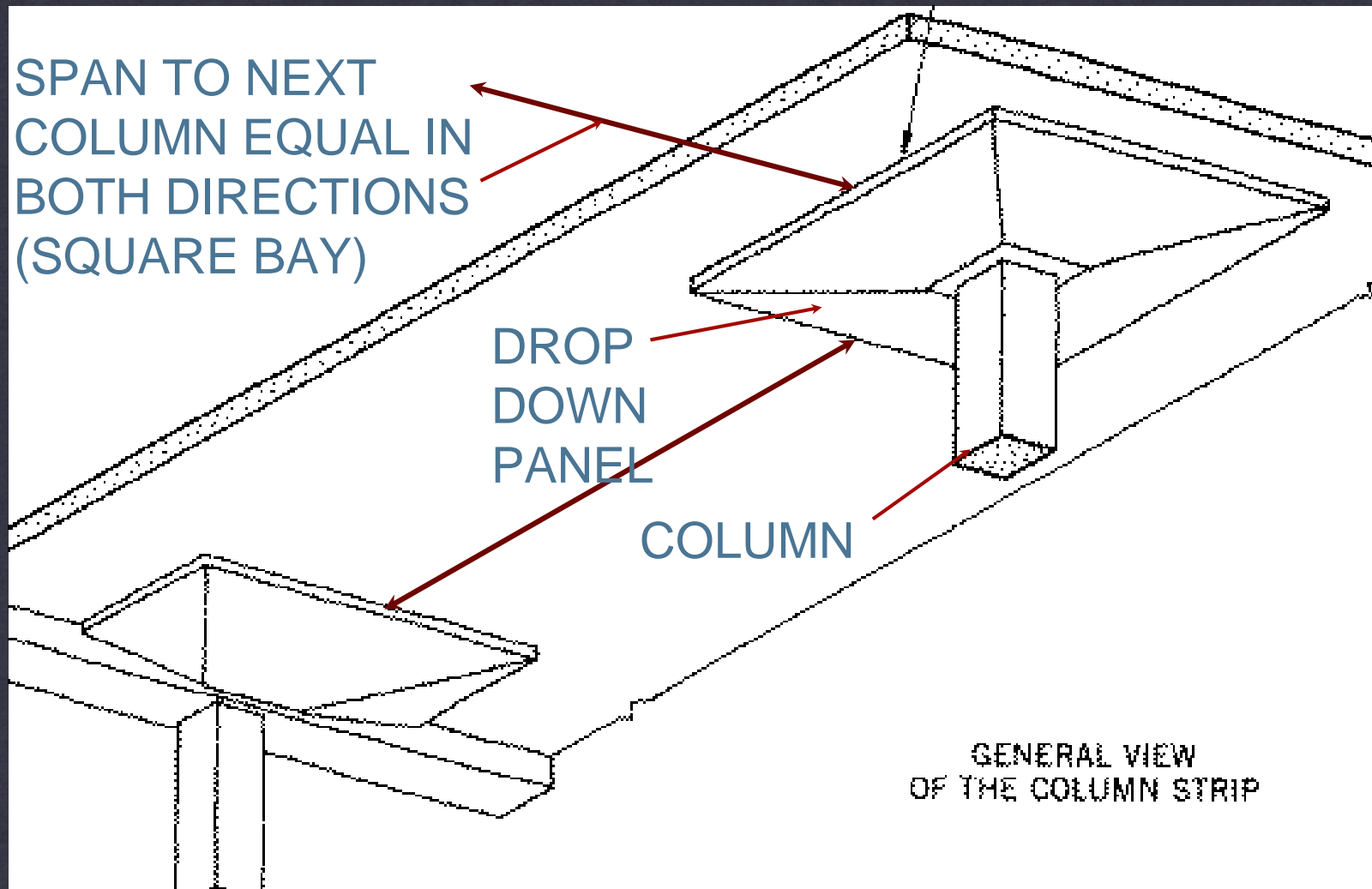
Tapered endforms are used to thicken joist ends for greater shear resistance.

Distribution rib is formed perpendicular to the joists in order to distribute possible load concentrations over a larger area: one required for spans between 20' and 30' (6 and 9 m), and not more than 15' (4.5 m) o.c. for spans over 30' (9 m).

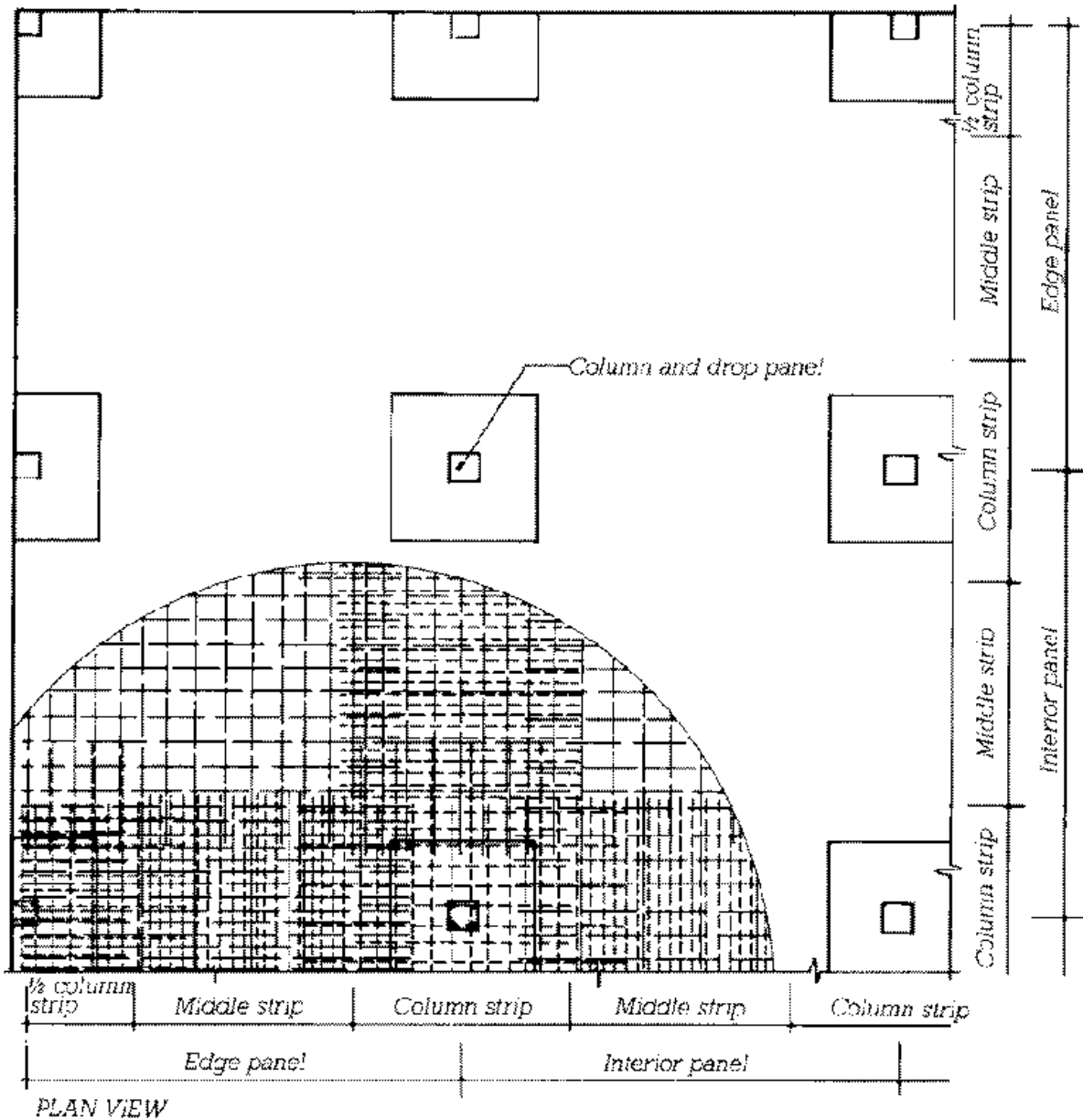
Joist band is a broad, shallow supporting beam that is economical to form because its depth is the same as that of the joists.

Suitable for light to medium live loads over spans of 15' to 36' (4 to 10 m); longer spans may be possible with posttensioning.

See 12.04–12.05 for a discussion of concrete as a construction material.



TYPICAL SLAB THICKNESS: 6" - 12"



TWO-WAY FRAMING SYSTEM:

STRUCTURAL BAY SHOULD BE CLOSE TO SQUARE

RARELY MADE WITH BEAMS

MOST TWO-WAY FRAMING SYSTEMS ARE BUILT AS FLAT SLABS WITH ONE SLAB THICKNESS

REINFORCING PATTERN REFLECTS ZONES OF CONCENTRATED STRESS

CONCRETE FRAMING SYSTEMS

Professor Friedman

two-way framing

arch 1230



COLUMN CAPITALS + DROPPED PANELS RESPOND TO SHEAR STRESSES TRANSFERRED FROM SLAB TO COLUMN - ADDITIONAL THICKNESS TO ADDRESS HIGHER STRESS

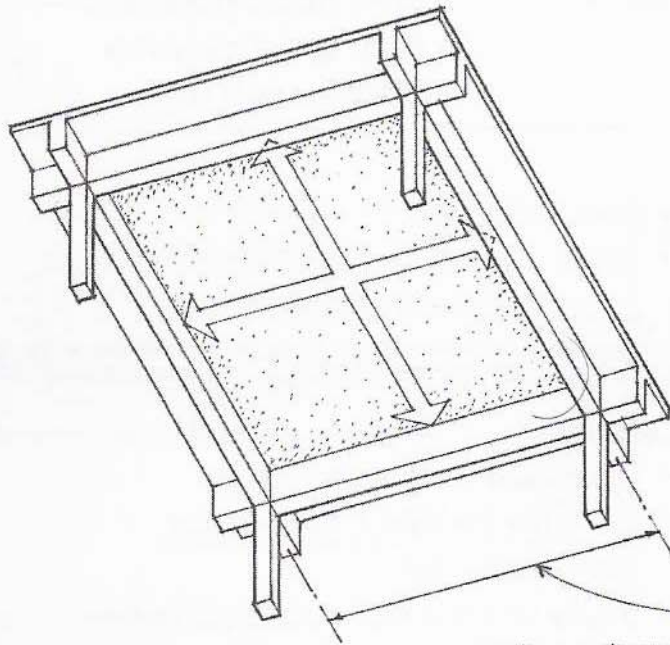
CONCRETE FRAMING SYSTEMS

Professor Friedman

two-way framing

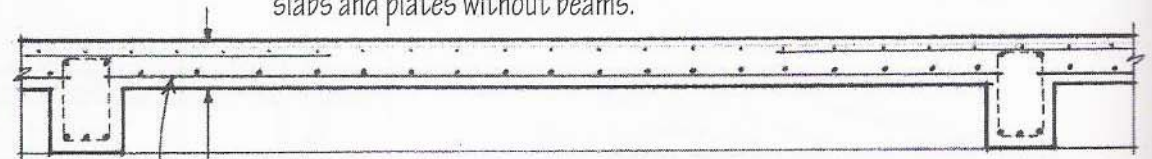
arch 1230

4.06 CONCRETE SLABS



Two-Way Slab and Beam

A two-way slab of uniform thickness may be reinforced in two directions and cast integrally with supporting beams and columns on all four sides of square or nearly square bays. Two-way slab and beam construction is effective for medium spans and heavy loads, or when a high resistance to lateral forces is required. For economy, however, two-way slabs are usually constructed as flat slabs and plates without beams.



4" (100) minimum slab depth; rule of thumb for slab depth:

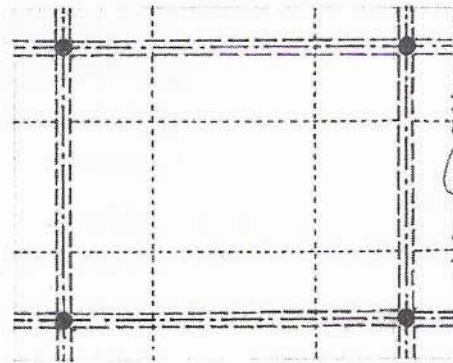
$\frac{\text{slab perimeter}}{180}$

Tensile reinforcement

Two-way slabs are most efficient when spanning square or nearly square bays, and suitable for carrying intermediate to heavy loads over 15' to 40' (4.5 to 12 m) spans.

To simplify the placement of reinforcing steel, two-way slabs are divided into column and middle strips, within which moments per foot are assumed to be constant.

- A continuous slab, extending as a structural unit over three or more supports in a given direction, is subject to lower bending moments than a series of discrete, simply supported slabs.





WAFFLE SLABS ARE THE TWO-WAY
EQUIVALENT OF ONE-WAY JOIST SYSTEMS.

CONCRETE FRAMING SYSTEMS

Professor Friedman

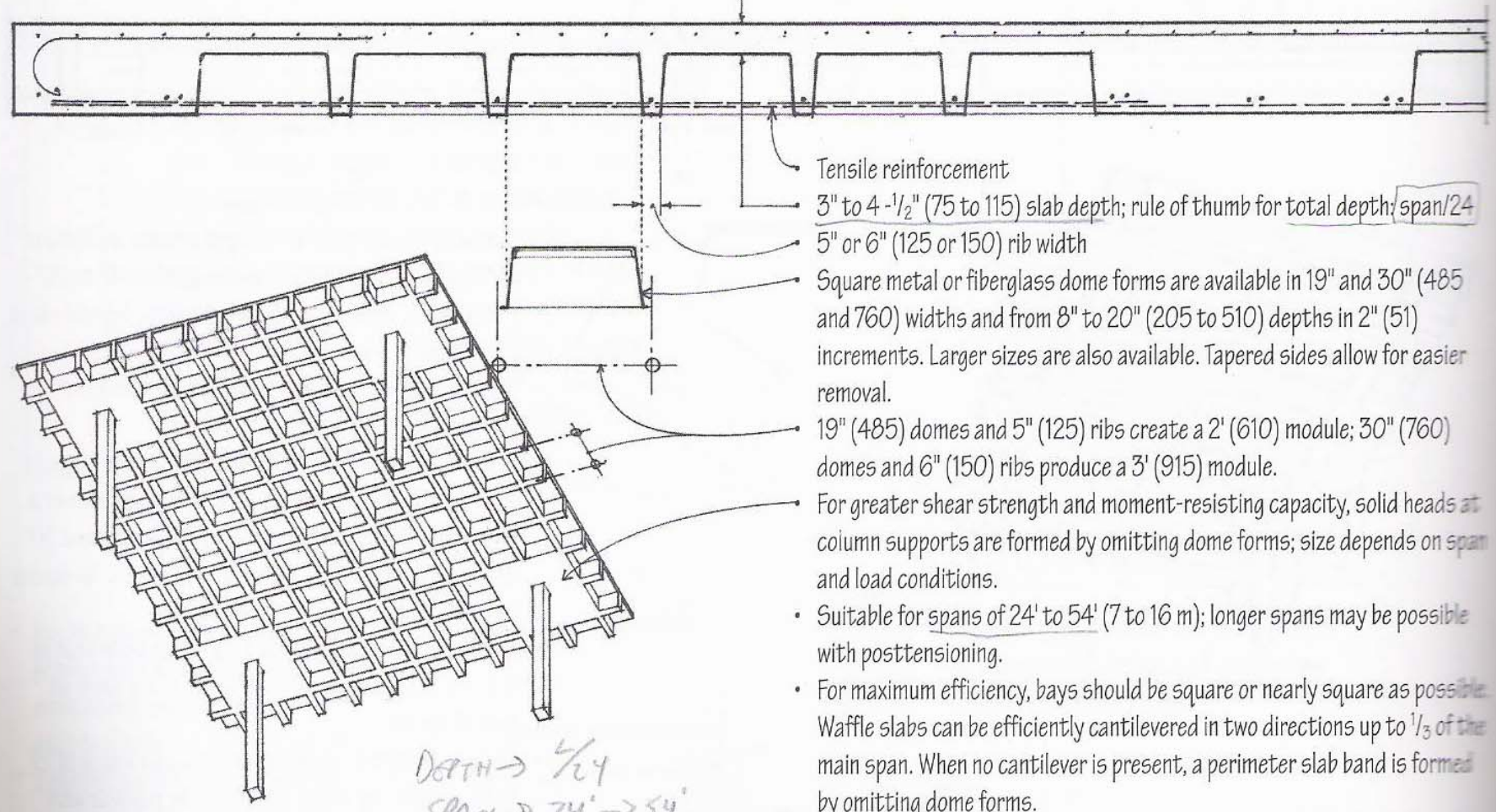
two-way framing

arch 1230

180
SPAN: 15' → 40'

Two-Way Waffle Slab

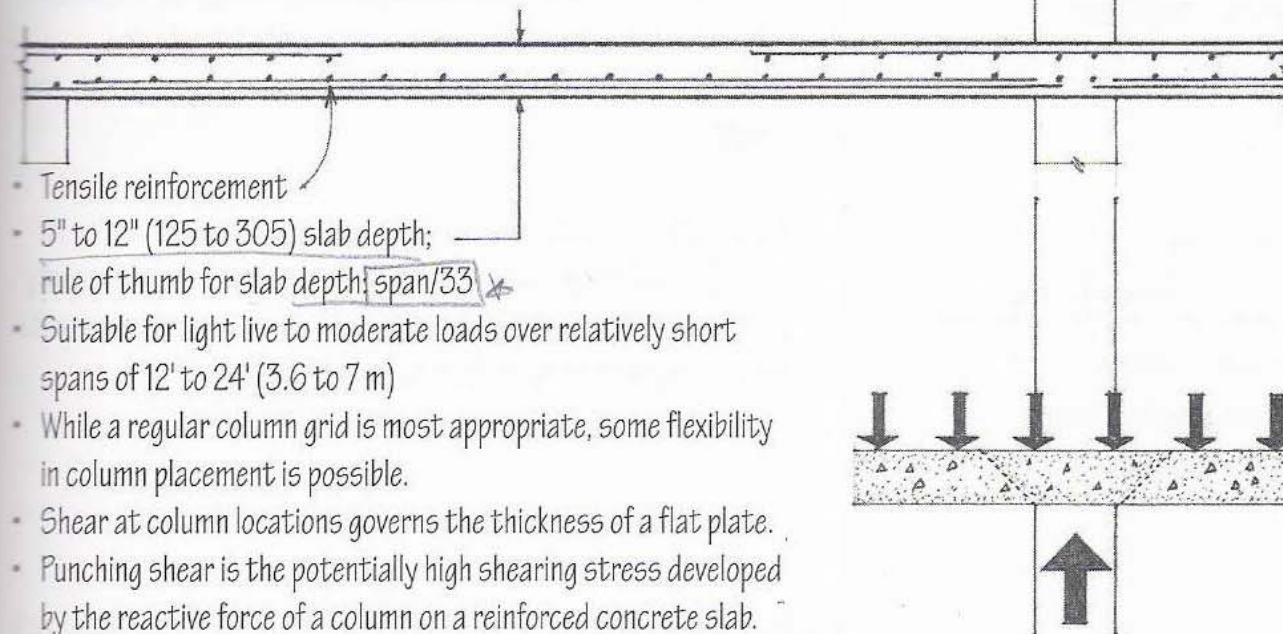
A waffle slab is a two-way concrete slab reinforced by ribs in two directions. Waffle slabs are able to carry heavier loads and span longer distances than flat slabs.



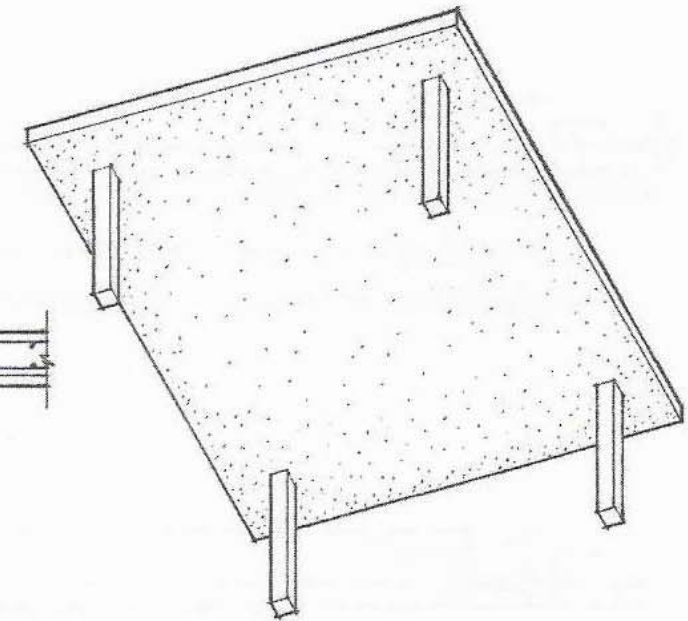
- Tensile reinforcement
- 3" to 4 - 1/2" (75 to 115) slab depth; rule of thumb for total depth: $\text{span}/24$
- 5" or 6" (125 or 150) rib width
- Square metal or fiberglass dome forms are available in 19" and 30" (485 and 760) widths and from 8" to 20" (205 to 510) depths in 2" (51) increments. Larger sizes are also available. Tapered sides allow for easier removal.
- 19" (485) domes and 5" (125) ribs create a 2' (610) module; 30" (760) domes and 6" (150) ribs produce a 3' (915) module.
- For greater shear strength and moment-resisting capacity, solid heads at column supports are formed by omitting dome forms; size depends on span and load conditions.
- Suitable for spans of 24' to 54' (7 to 16 m); longer spans may be possible with posttensioning.
- For maximum efficiency, bays should be square or nearly square as possible. Waffle slabs can be efficiently cantilevered in two directions up to 1/3 of the main span. When no cantilever is present, a perimeter slab band is formed by omitting dome forms.
- Cofferred underside is usually left exposed.

Two-Way Flat Plate

A flat plate is a concrete slab of uniform thickness reinforced in two or more directions and supported directly by columns without beams or girders. Simplicity of forming, lower floor-to-floor heights, and some flexibility in column placement make flat plates practical for apartment and hotel construction.



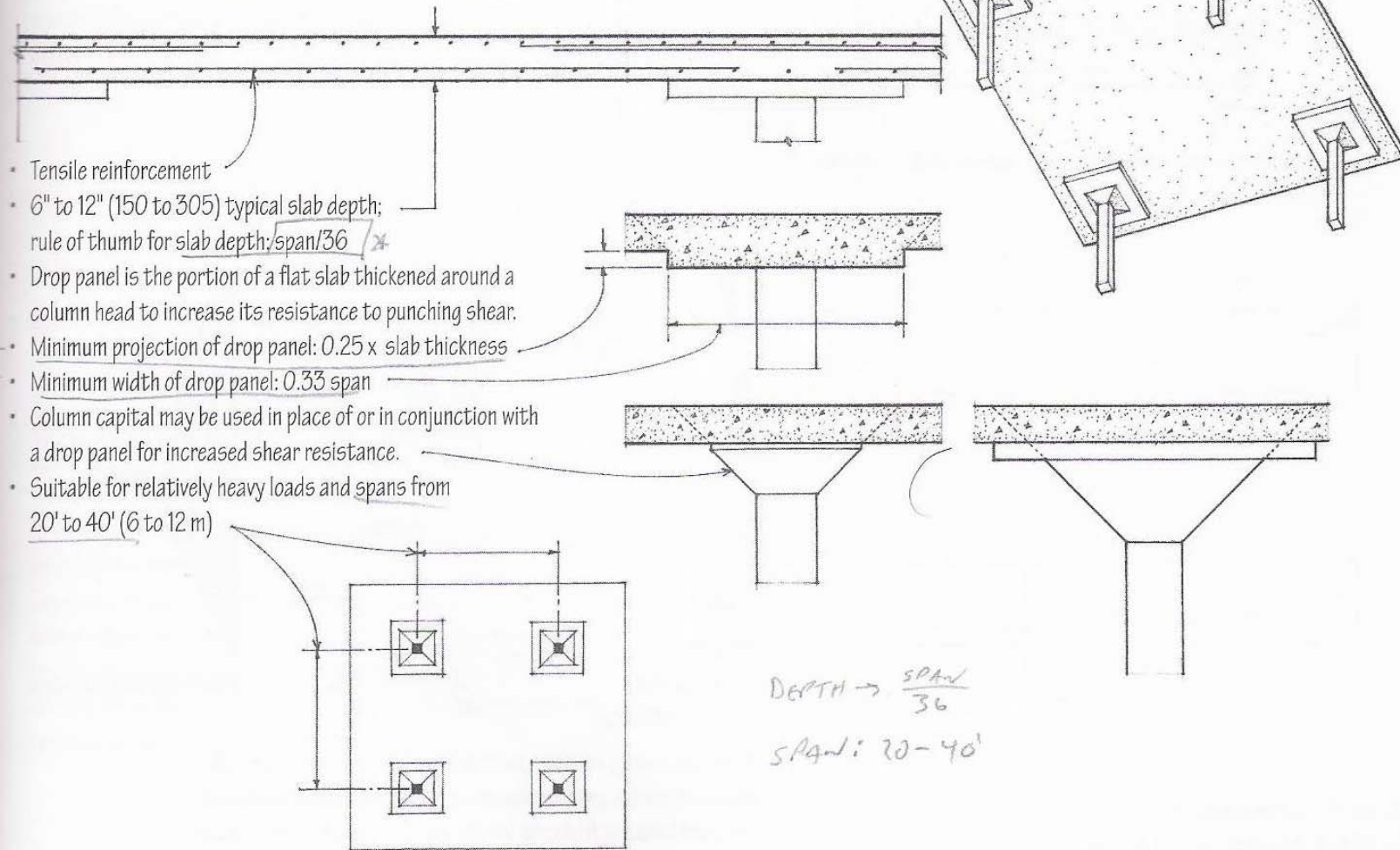
- Tensile reinforcement
- 5" to 12" (125 to 305) slab depth; rule of thumb for slab depth: $\text{span}/33$
- Suitable for light live to moderate loads over relatively short spans of 12' to 24' (3.6 to 7 m)
- While a regular column grid is most appropriate, some flexibility in column placement is possible.
- Shear at column locations governs the thickness of a flat plate.
- Punching shear is the potentially high shearing stress developed by the reactive force of a column on a reinforced concrete slab.



DEPTH $\rightarrow \frac{\text{SPAN}}{33}$
 SPAN: 12 \rightarrow 24'

Two-Way Flat Slab

A flat slab is a flat plate thickened at its column supports to increase its shear strength and moment-resisting capacity.





CAST IN PLACE STAIR

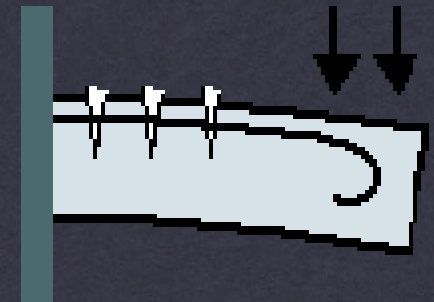
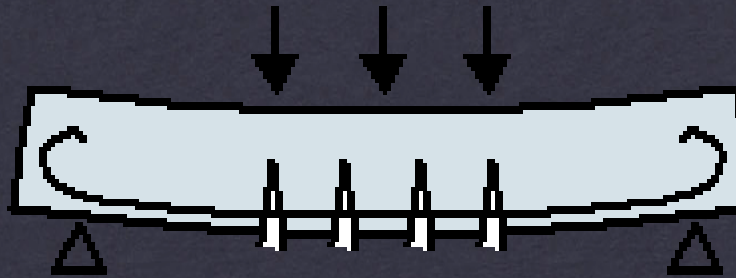
Professor Friedman



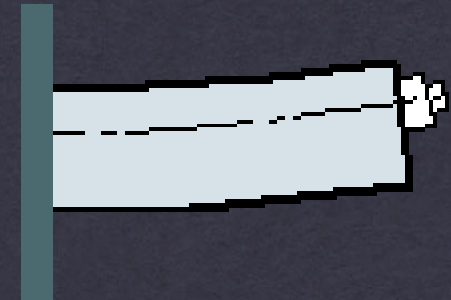
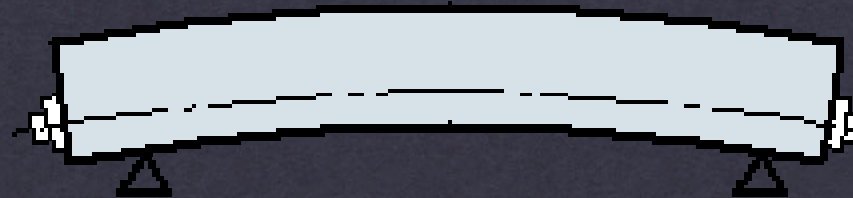
inclined one-way solid slab

arch 1230

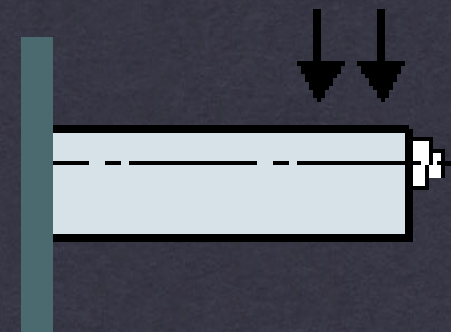
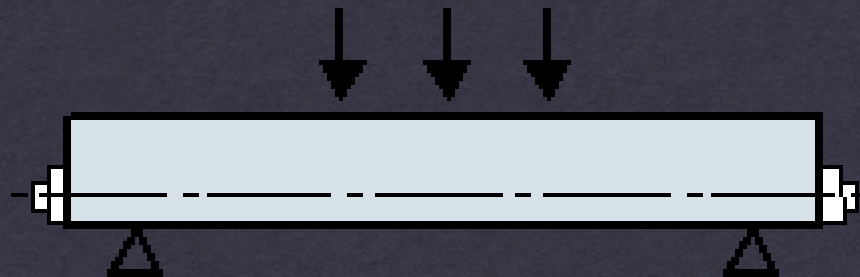
(a) Reinforced concrete cracked under load.



(b) Post-tensioned concrete before loading.



(c) Post-tensioned concrete after loading.

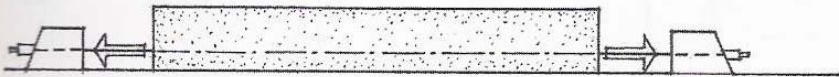


Simply-Supported Beam

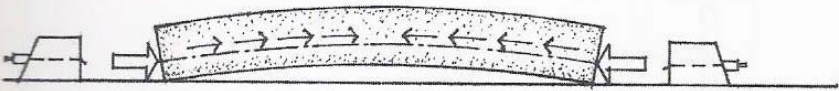
Cantilever Beam



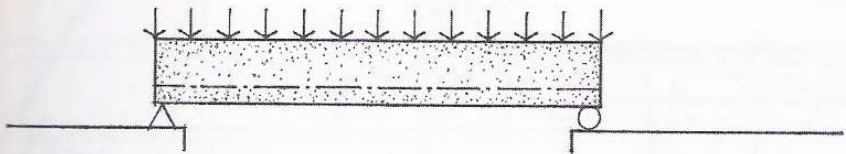
- Steel tendons are first stretched across the casting bed between two abutments until a predetermined tensile force is developed.



- Concrete is then cast in formwork around the stretched tendons and fully cured. The tendons are placed eccentrically in order to reduce the maximum compressive stress to that produced by bending alone.



- When the tendons are cut or released, the tensile stresses in the tendons are transferred to the concrete through bond stresses. The eccentric action of the prestressing produces a slight upward curvature or camber in the member.



- The deflection of the member under loading tends to equalize its upward curvature.

Pre-stressed concrete can be designed to resist creep and overloaded building loads.

-High-strength steel tendons are fed through the concrete **counteracting the tensile bending stresses** from the applied load into compression.

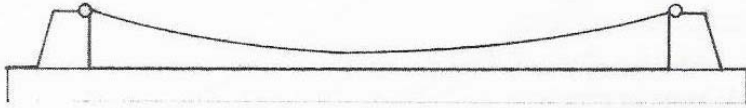
-Enables the pre-stressed member to **deflect less, carry a greater load, and/or span a greater distance** than a conventionally reinforced member of the same size, proportion, and weight.

-Two pre-stressing techniques: Pre-tensioning and Post-tensioning.

-**Pre-tensioning** is done at a pre-casting plant. It pre-stresses a concrete member by stretching the reinforcing tendons **before** the concrete is cast.

[Pre-tensioned, Pre-cast concrete video](#)

-Post-tensioning: pre-stresses a concrete member by stretching the reinforcing tendons **after** the concrete is cast. (on the site).



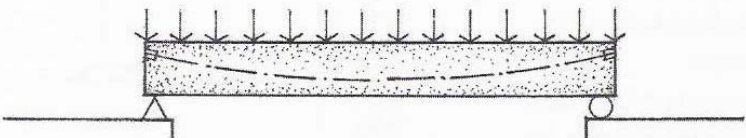
- Unstressed steel tendons, draped inside the beam or slab form, are coated or sheathed to prevent bonding while the concrete is cast.



- After the concrete has cured, the tendons are clamped on one end and jacked against the concrete on the other end until the required force is developed.



- The tendons are then securely anchored on the jacking end and the jack removed. After the posttensioning process, the steel tendons may be left unbonded, or they may be bonded to the surrounding concrete by injecting grout into the annular spaces around the sheathed strands.



- The deflection of the member under loading tends to equalize its upward curvature.

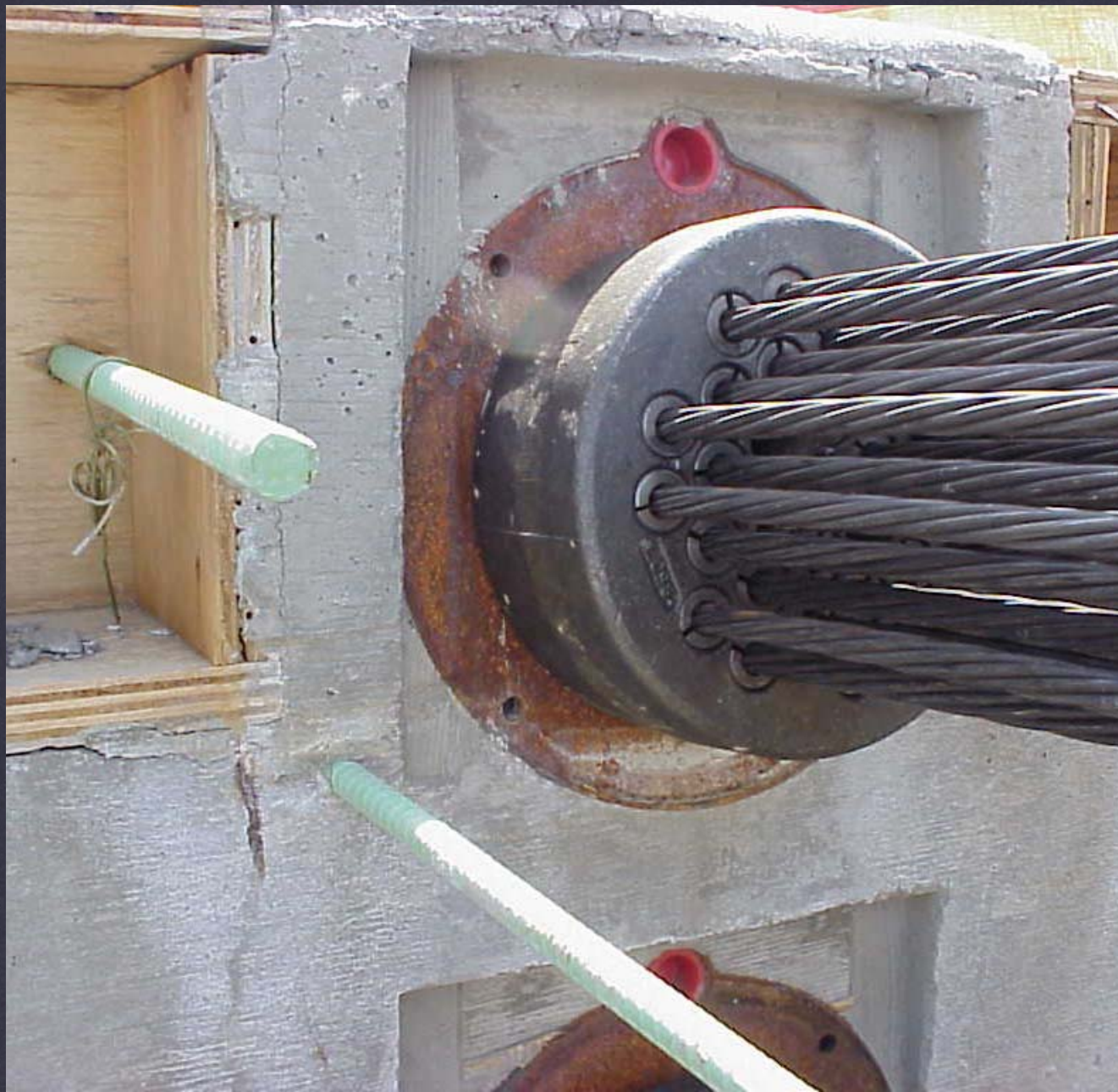


CONCRETE

Professor Friedman

prestressing concrete structural elements

Arch 1230



CONCRETE

Professor Friedman

prestressing concrete structural elements

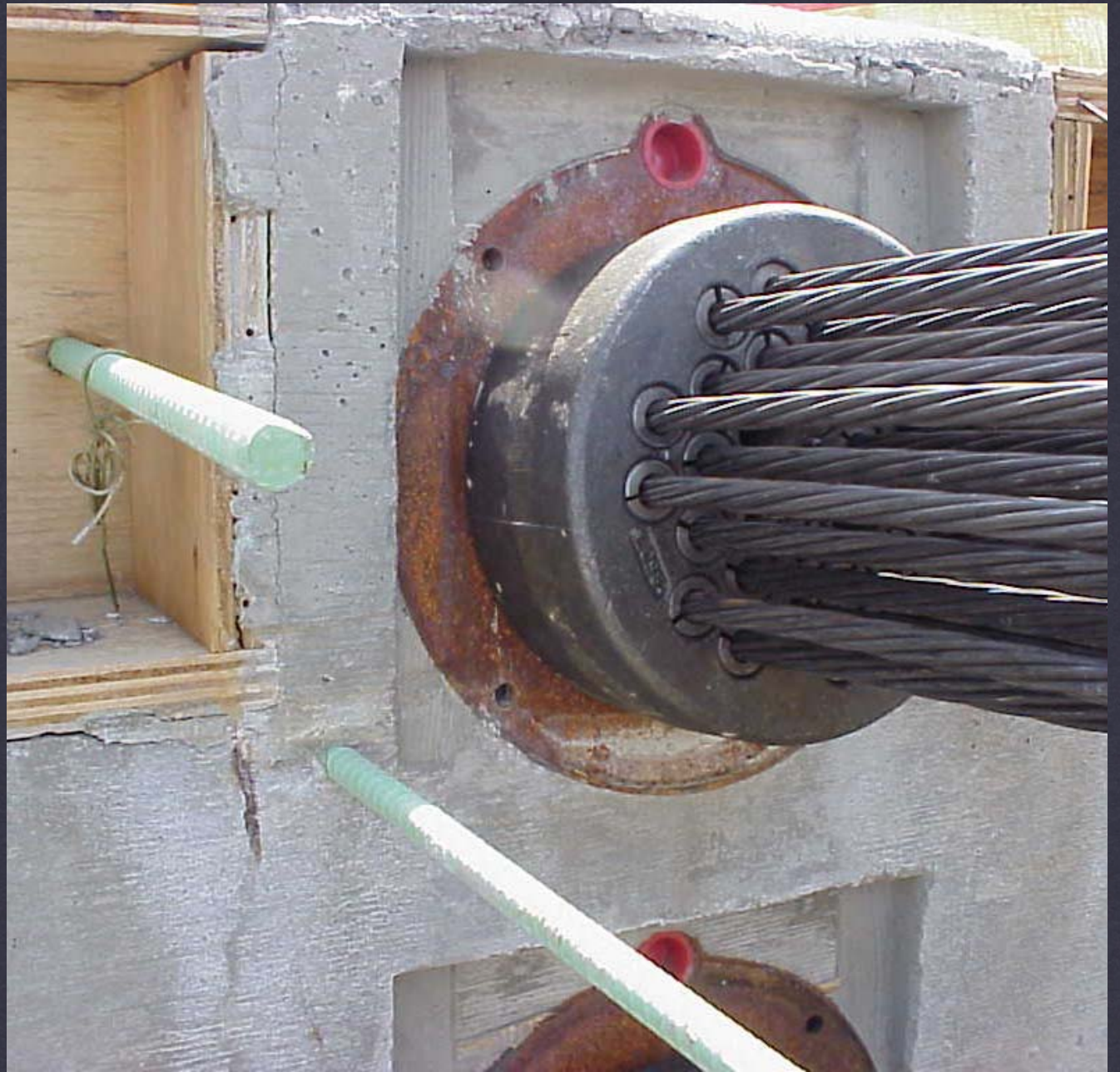
Arch 1230

PRE TENSIONING:

PRECAST CONCRETE
ELEMENTS CAST
AROUND STRETCHED
REINFORCED (IN THE
SHOP)

POST TENSIONING:

REINFORCEMENT
INITIALLY PREVENTED
FROM BONDING.
TENSIONED WITH
JACK THEN GROUTED
(ON SITE)



CONCRETE

Professor Friedman

prestressing concrete structural elements

Arch 1230



CONCRETE

Professor Friedman

prestressing concrete structural elements

Arch 1230



CONCRETE

Professor Friedman

prestressing concrete structural elements

Arch 1230



CONCRETE

Professor Friedman

prestressing concrete structural elements

Arch 1230



CONCRETE

Professor Friedman

prestressing concrete structural elements

Arch 1230



CONCRETE

Professor Friedman

prestressing concrete structural elements

Arch 1230

POSTTENSIONING CAN BE APPLIED TO ANY SITECAST CONCRETE FRAMING SYSTEM

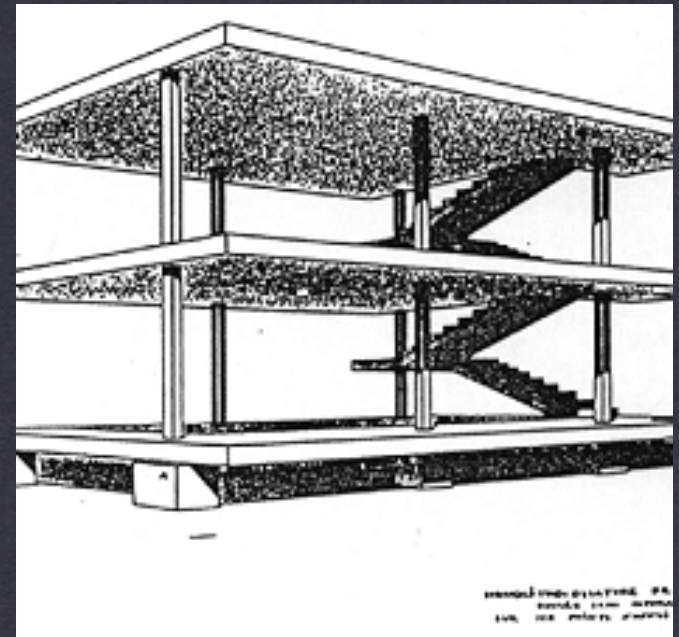
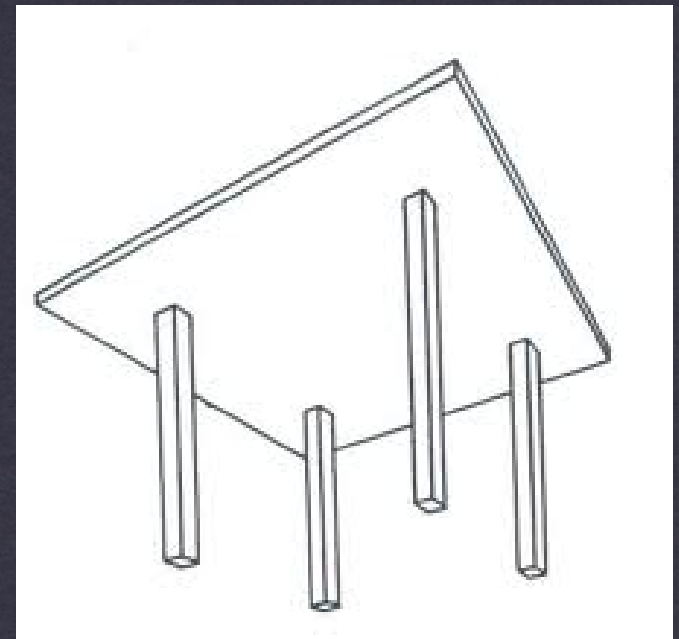
POSTTENSIONING:

- REDUCES MEMBER SIZES
- REDUCES DEFLECTION
- EXTENDS SPANNING CAPABILITY

TWO-WAY FLAT PLATE STRUCTURES ARE MOST COMMONLY POSTTENSIONED

[Post-tensioned Concrete slab placement- video](#)

[Pre-stressed/ Pre-cast Concrete Factory tour](#)



SITECAST POSTTENSIONED FRAMING SYSTEM

Professor Friedman

arch 1230



CASE STUDIES- MILSTEIN HALL, CORNELL

Professor Friedman

arch 1230



CASE STUDIES- MILSTEIN HALL, CORNELL

Professor Friedman

arch 1230



CASE STUDIES- MILSTEIN HALL, CORNELL

Professor Friedman

arch 1230

Dubai Construction Update
Imre Solt - 2008 ©



CASE STUDIES- BURJ DUBAI

Professor Friedman

arch 1230

SELECTION CRITERIA:

ARE THE BAYS SQUARE?

YES - TWO-WAY SYSTEM

HOW LONG ARE THE SPANS?

25' TO 30' - TWO-WAY FLAT PLATE
> 30' - ONE-WAY JOIST SYSTEM

HOW HEAVY ARE THE LOADS?

HEAVY LOADS - THICKER SLABS +
LARGER BEAMS(ONE-WAY SOLID
SLAB)

WILL THERE BE A FINISHED
CEILING BELOW THE SLAB?

NO - MUST CONSIDER THE
AESTHETIC OF THE SYSTEM

MUST THE FRAME SUPPLY
LATERAL FORCE RESISTANCE?

YES - ONE-WAY SYSTEM

SELECTING A SITECAST FRAMING SYSTEM

wrap up:

SITECAST CONCRETE
ACHIEVES A UNIQUE
CONTINUITY OF STRUCTURE
AND FORM.



- * unlimited possibilities for the designer
- * any shape than can be formed can be cast
- * some types of elements can only be sitecast:
 - * slab on grade
 - * footings
 - * two-way slab systems
- * sitecast concrete is massive and monolithic - imparting a powerful architectural character